



ESTM SL

Pillow Block Bearings

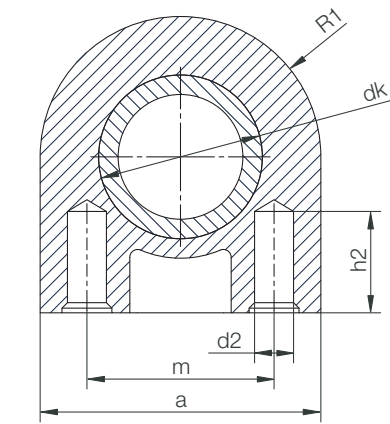
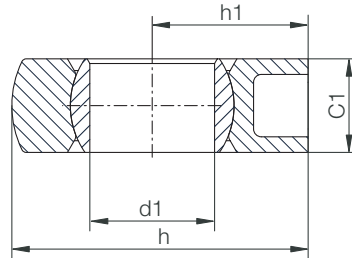
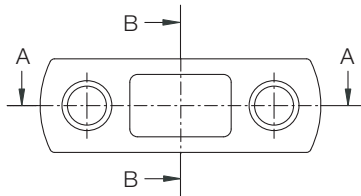
mm

Phone +49 - 22 03 - 96 49-145
 Fax +49 - 22 03 - 96 49-334

igus® GmbH
 51147 Cologne

Internet www.igus.de
 E-mail info@igus.de

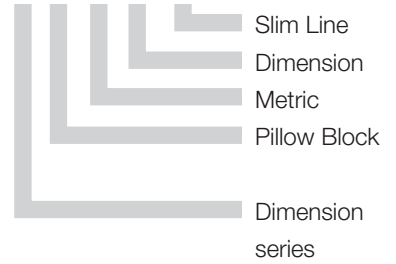
53.8



Data in mm

Structure – part no.

E ST M-05 SL



Material

Housing: igumid G

► Page 70.6

Spherical Bearing:

iglidur® J

► Chapter 3

Special Properties

- light weight
- extremely space saving
- screwed in base
- low cost
- predictable lifetime
- maintenance- and lubricant-free
- with M3-part No., e.g. ESTM-10-SL-M3
- for spax screw with outer diameter 3,5 mm

Load Data

igubal® Pillow Block Bearing ESTM-SL

Part Number	max. radial tensile strength		max. radial compressive strength		max. lateral strength		max. axial strength	
	short term	long term	short term	long term	short term	long term	short term	long term
	[N]	[N]	[N]	[N]	[N]	[N]	[N]	[N]
ESTM-05 SL	1500	750	1400	700	900	450	150	75
ESTM-06 SL	1500	750	1400	700	900	450	150	75
ESTM-08 SL	1600	800	1400	700	950	475	100	50
ESTM-10 SL	1600	800	1400	700	1000	500	100	50

Dimensions [mm]

igubal® Pillow Block Bearing ESTM-SL

Part Number	d1 (H10)	d2	dk	h	h1	h2	a	m	C1	R1	Max. Pivot Angle
ESTM-05 SL	5,0	2,5	8,9	18,0	10,0	6,5	16,0	10,0	6,0	8,0	17°
ESTM-06 SL	6,0	2,5	8,9	18,0	10,0	6,5	16,0	10,0	6,0	8,0	17°
ESTM-08 SL	8,0	2,5	10,5	19,0	10,0	6,5	18,0	12,0	6,0	9,0	17°
ESTM-10 SL	10,0	2,5	12,4	20,0	10,0	6,5	20,0	14,0	6,0	10,0	17°

Lifetime calculation, CAD files and much more support ► www.igus.de/en/estm