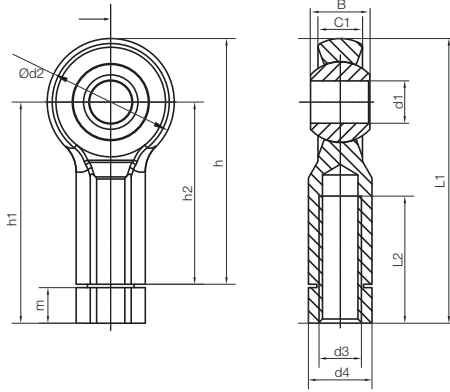




igubal® KBRM CL | Rod End Bearings | mm

KBRM CL
mm
Rod End Bearings



Data in mm

Structure – part no
K B R M-10 CL



- 2nd Generation
- Dimension
- Metric
- Right-hand-thread
- Housing (female thread)
- Material

Phone +49 - 22 03 - 96 49-145
Fax +49 - 22 03 - 96 49-334

Housing
(Female thread)



Simple assembly due to the hexagonal body and the integrated lock nut.

Special properties

- Smooth design has no dirt traps
- Compensation for alignment errors
- Light weight
- Excellent corrosion resistance
- Design with metal sleeve for higher torque strength available
- Left-hand thread version KBLM in preparation
- Standard spherical bearing: iglidur® W300



Material

Housing: igumid G
▶ Page 70.6
Spherical Bearing: variable
▶ Page 57.3

Load Data

igubal® – Rod End Bearings KBRM CL

Part Number	Maximum static tensile strength		Maximum radial load		Minimum thread depth [mm]	Max. torque strength outside thread [Nm]	Max. torque though Ball	
	short-term [N]	long-term [N]	short-term [N]	long-term [N]			standard [Nm]	MH [Nm]
KBRM-06 CL	1400	700	300	150	8	0,75	10	15
KBRM-08 CL	2100	1050	500	250	11	2,0	12	40
KBRM-10 CL	3100	1550	800	400	13	3,0	20	50

Dimensions [mm]

igubal® – Rod End Bearings KBRM CL

Part Number	d1 E10	d2	d3	d4	B	C1	h	h1	h2	L2	L1	m	Max. pivot angle
KBRM-06 CL	6	20	M06	SW10	9	7	40	36,5	30	20	46,5	5,7	40°
KBRM-08 CL	8	24	M08	SW13	12	9	48	44,3	36	25	56,3	7,5	35°
KBRM-10 CL	10	30	M10	SW15	14	10,5	58	52,2	43	30	67,2	8,4	35°

For rod end bearings with metal insert please add **MH** to the part number, e.g. KBRM-10 CL **MH**.
For another spherical bearing material please add **J**, **R** or **X** to the part number, e.g. KBRM-10 CL **J**.

Spherical bearing material to choose ▶ Page 57.3



RKM:
Low Cost



XKM: High temperatures



JKM: Low moisture absorption



standard spherical bearing with metal sleeve

Internet www.igus.de
E-mail info@igus.de

51.10

Lifetime calculation, CAD files and much more support ▶ www.igus.de/en/kbrm-cl