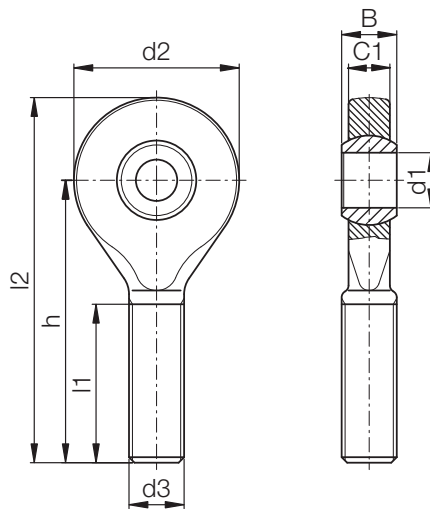




igubal® EA..M HT | Rod End Bearings | mm

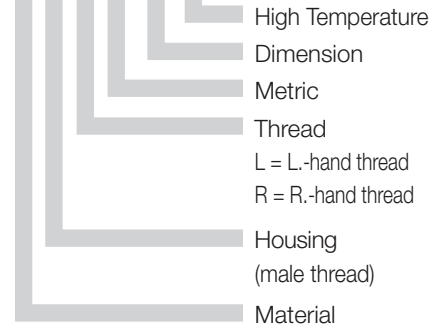
mm EARM HT/EALM HT
Rod End Bearings



Data in mm

Structure – part no.

E A ... M-06 HT



Phone +49 - 22 03 - 96 49-145
Fax +49 - 22 03 - 96 49-334

igubal® – Rod End Bearings:

- for temperatures up to 200 °C
- Maintenance-free, self-lubricating
- High strength under impact loads
- Very high tensile strength for varying loads
- Compensation for alignment errors
- Compensation for edge loads
- Resistant to dirt, dust and lint
- Resistant to chemicals
- under water use
- High vibration dampening capacity
- Suitable for rotating, oscillating and linear movements
- Lightweight



Material

Housing: iguton G
▶ Page 70.6
Spherical Bearing: iglidur® X
▶ Chapter 6

Dimensions [mm]

igubal® – Rod End Bearings EARM HT/EALM HT

Part Number		d1 E10	d2	d3	C1	B	h1	l1	l2	Max. pivot angle
R.-hand thread	L.-hand thread									
EARM-06 HT	EALM-06 HT	6	21	M06	4,4	6	36	20	46,5	27°
EARM-08 HT	EALM-08 HT	8	24	M08	6,0	8	41	24	53,0	24°
EARM-10 HT	EALM-10 HT	10	29	M10	7,0	9	47,5	27	62,0	24°
EARM-12 HT	EALM-12 HT	12	34	M12	8,0	10	54	29	71,0	21°

Available from stock

igus® GmbH
51147 Cologne

Internet www.igus.de
E-mail info@igus.de

51.18

Lifetime calculation, CAD files and much more support ▶ www.igus.de/en/earm