



GERM/GELM
mm
igubal®-Gabelköpfe



Angaben in mm

Aufbau der Bestellnr.:



GE ... M - 04



Telefon (0 22 03) 96 49-145
Telefax (0 22 03) 96 49-334

Besondere Eigenschaften

- sehr geringes Gewicht
- absolut korrosionsbeständig
- hohe Zugkräfte
- kombinierbar mit Gelenkköpfen der Maßreihe E
- schwingungsdämpfend
- geräuschkämpfend
- erhältlich für Links-(GELM) und Rechtsgewinde (GERM)



Material

igumid G

▶ Seite 70.6

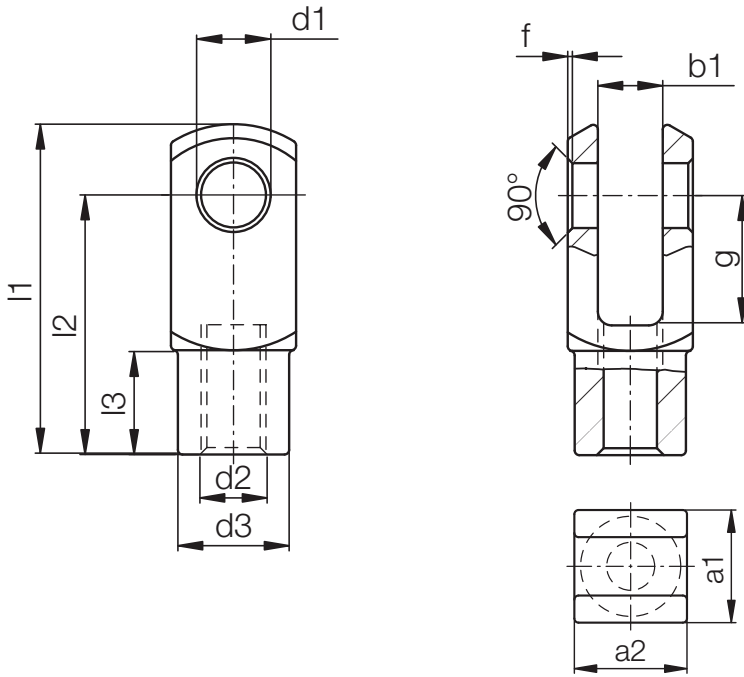
igus® GmbH
51147 Köln

Belastungsdaten

igubal® – Gabelköpfe

| Bestellnummer | | max. statische axiale Zugbelastung GER(L)M | | max. Querbelastung | | max. Anzieh- Drehmoment |
|-------------------|-------------------|---|-------------------|-----------------------|-------------------|-------------------------------|
| Rechtsgewinde | Linksgewinde | kurzzeitig [N] | langzeitig [N] | kurzzeitig [N] | langzeitig [N] | [Nm] |
| GERM-04 M3.5 | GELM-04 M3.5 | 650 | 325 | 250 | 125 | 0,4 |
| GERM-04 | GELM-04 | 650 | 325 | 250 | 125 | 0,4 |
| GERM-05 DIN M4 | GELM-05 DIN M4 | 1000 | 500 | 250 | 125 | 0,4 |
| GERM-05 DIN M5 | GELM-05 DIN M5 | 1000 | 500 | 250 | 125 | 0,5 |
| GERM-05 | GELM-05 | 1200 | 600 | 250 | 125 | 0,5 |
| GERM-05 DIN M5 LS | GELM-05 DIN M5 LS | 1000 | 500 | 130 | 65 | 0,5 |
| GERM-06 | GELM-06 | 1400 | 700 | 300 | 150 | 1,5 |
| GERM-06 LS | GELM-06 LS | 1400 | 700 | 130 | 65 | 1,5 |
| GERM-08 | GELM-08 | 2700 | 1350 | 650 | 325 | 5 |
| GERM-10 | GELM-10 | 4700 | 2350 | 800 | 400 | 15 |
| GERM-10 F | GELM-10 F | 4700 | 2350 | 800 | 400 | 6 |
| GERM-12 | GELM-12 | 5700 | 2850 | 900 | 450 | 20 |
| GERM-12 F | GELM-12 F | 5700 | 2850 | 900 | 450 | 15 |
| GERM-14 | GELM-14 | 6600 | 3300 | 1000 | 500 | 25 |
| GERM-15 | GELM-15 | 3200 | 1600 | 1000 | 500 | 25 |
| GERM-16 | GELM-16 | 7500 | 3750 | 1200 | 600 | 30 |
| GERM-16 F | GELM-16 F | 7500 | 3750 | 1200 | 600 | 27,5 |
| GERM-17 | GELM-17 | 3600 | 1800 | 1200 | 600 | 30 |
| GERM-17 F | GELM-17 F | 3600 | 1800 | 1200 | 600 | 27,5 |
| GERM-20 | GELM-20 | 9500 | 4750 | 3000 | 1500 | 60 |
| GERM-20 M20 | GELM-20 M20 | 9500 | 4750 | 3000 | 1500 | 80 |

Internet: www.igus.de
E-Mail: info@igus.de



igubal®-Gabelköpfe

mm GERM/GELM

Telefon (0 22 03) 96 49-145
Telefax (0 22 03) 96 49-334

Abmessungen [mm]

igubal®-Gabelköpfe

| Bestellnummer | | d1 | g | a1 | a2 | b1 | d2 | d3 | f | l1 | l2 | l3 |
|-------------------|-------------------|----|-----|----|---------------|-----|----------------------------|--------------|--------------|--------------|--------------|--------------|
| | | H9 | h11 | | +0,3 -0,16 | B13 | Gewinde- toleranz 6H | +0,3 -0,3 | +0,3 -0,3 | +0,5 -0,5 | +0,3 -0,3 | +0,2 -0,2 |
| Rechtsgewinde | Linksgewinde | | | | | | | | | | | |
| GERM-04 M3.5 | GELM-04 M3.5 | 4 | 8 | 8 | 8 | 4 | M3.5 | 8,0 | 0,5 | 21,0 | 16,0 | 6,0 |
| GERM-04 | GELM-04 | 4 | 8 | 8 | 8 | 4 | M04 | 8,0 | 0,5 | 21,0 | 16,0 | 6,0 |
| GERM-05 DIN M4 | GELM-05 DIN M4 | 5 | 10 | 10 | 10 | 5 | M04 | 9,0 | 0,5 | 25,0 | 20,0 | 7,5 |
| GERM-05 DIN M5 | GELM-05 DIN M5 | 5 | 10 | 10 | 10 | 5 | M05 | 9,0 | 0,5 | 25,0 | 20,0 | 7,5 |
| GERM-05 | GELM-05 | 5 | 12 | 12 | 12 | 6 | M05 | 10,0 | 0,5 | 31,0 | 24,0 | 9,0 |
| GERM-05 DIN M5 LS | GELM-05 DIN M5 LS | 5 | 20 | 10 | 10 | 5 | M05 | 9,0 | 0,5 | 36,0 | 30,0 | 7,5 |
| GERM-06 | GELM-06 | 6 | 12 | 12 | 12 | 6 | M06 | 10,0 | 0,5 | 31,0 | 24,0 | 9,0 |
| GERM-06 LS | GELM-06 LS | 6 | 24 | 12 | 12 | 6 | M06 | 10,0 | 0,5 | 43,0 | 36,0 | 9,0 |
| GERM-08 | GELM-08 | 8 | 16 | 16 | 16 | 8 | M08 | 14,0 | 0,5 | 42,0 | 32,0 | 12,0 |
| GERM-10 | GELM-10 | 10 | 20 | 20 | 20 | 10 | M10 | 18,0 | 0,5 | 52,0 | 40,0 | 15,0 |
| GERM-10 F | GELM-10 F | 10 | 20 | 20 | 20 | 10 | M10x1,25 | 18,0 | 0,5 | 52,0 | 40,0 | 15,0 |
| GERM-12 | GELM-12 | 12 | 24 | 24 | 24 | 12 | M12 | 20,0 | 0,5 | 62,0 | 48,0 | 18,0 |
| GERM-12 F | GELM-12 F | 12 | 24 | 24 | 24 | 12 | M12x1,25 | 20,0 | 0,5 | 62,0 | 48,0 | 18,0 |
| GERM-14 | GELM-14 | 14 | 28 | 27 | 27 | 14 | M14 | 24,0 | 0,5 | 72,0 | 56,0 | 22,5 |
| GERM-15 | GELM-15 | 15 | 28 | 27 | 27 | 14 | M14 | 24,0 | 0,5 | 72,0 | 56,0 | 22,5 |
| GERM-16 | GELM-16 | 16 | 32 | 32 | 32 | 16 | M16 | 26,0 | 1,0 | 83,0 | 64,0 | 24,0 |
| GERM-16 F | GELM-16 F | 16 | 32 | 32 | 32 | 16 | M16x1,5 | 26,0 | 1,0 | 83,0 | 64,0 | 24,0 |
| GERM-17 | GELM-17 | 17 | 32 | 32 | 32 | 16 | M16 | 26,0 | 1,0 | 83,0 | 64,0 | 24,0 |
| GERM-17 F | GELM-17 F | 17 | 32 | 32 | 32 | 16 | M16x1,5 | 26,0 | 1,0 | 83,0 | 64,0 | 24,0 |
| GERM-20 | GELM-20 | 20 | 40 | 40 | 40 | 20 | M20x1,5 | 34,0 | 1,0 | 105,0 | 80,0 | 30,0 |
| GERM-20 M20 | GELM-20 M20 | 20 | 40 | 40 | 40 | 20 | M20x2,5 | 34,0 | 1,0 | 105,0 | 80,0 | 30,0 |

