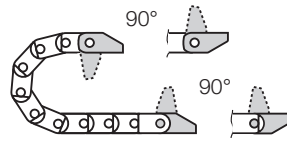




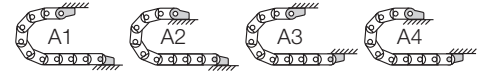
Polymer, one-piece

- One-piece mounting bracket
- Corrosion-resistant
- Available preassembled
- Inner and outer attachment possible
- Available with or without integrated strain relief tiwrap plates

Moving end with bore
(outer link) 060...1(PZ)



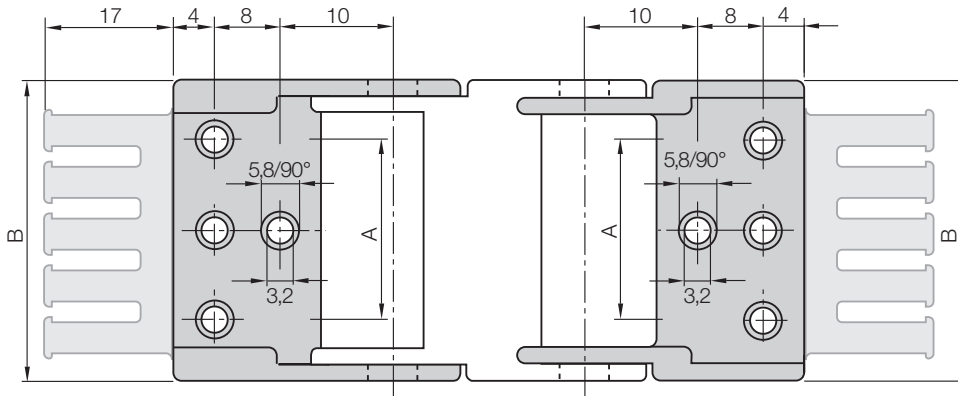
060...2(PZ) Fixed end
with pin (inner link)



Possible installation conditions for assembled mounting brackets ▶ Order example "preassembled" below

060...1(PZ)

Moving end



060...2(PZ)

Fixed end

Dimensions and order configurations

Strain relief is possible on the moving end and/or the fixed end.

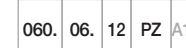
060.06.12 - 060.20.12: center bores only

060.30.12 - 060.64.12: outer bores only

For E-chain®	Part No. full set with tiwrap plate	Part No. full set without tiwrap plate	Number of teeth	Dim. A [mm]	Dim. B [mm]
07.06. ▶	060.06. 12 PZ	060.06. 12	1	-	12,5
07.10. ▶	060.10. 12 PZ	060.10. 12	1	-	16,5
07.16. ▶	060.16. 12 PZ	060.16. 12	2	-	22,5
07.20. ▶	060.20. 12 PZ	060.20. 12	2	-	27,0
07.30. ▶	060.30. 12 PZ	060.30. 12	3	22	37,0
07.40. ▶	060.40. 12 PZ	060.40. 12	4	32	47,0
07.50. ▶	060.50. 12 PZ	060.50. 12	5	42	57,0
07.64. ▶	060.64. 12 PZ	060.64. 12	6	56	71,0

For the preassembled mode please add the index A1 ... A4 Example: 060.06. 12 PZ A1

Part No. structure



A...must be indicated on preassembled configurations with assembled tiwrap plates

Full set = 12

Width

Mounting brackets for selected chain type

Full set, for both ends:

060.06. 12 PZ +tiwrap plate

Single-part order:

060.06. 1 PZ +tiwrap plate

Mounting bracket with bore

060.06. 2 PZ +tiwrap plate

Mounting bracket with pin



Quicksnap - the complete, detachable mounting unit, available upon request



Quickfix - mounting bracket with dowel, available upon request

Additional Features

