

lightweight, with snap lock mechanism - TRLF

TRLF - light and cost-effective
with snap lock mechanism

High tensile strength thanks to
special ball-and-socket design

Defined torsion stop,
allows free movement in multiple
directions but still protects the cables

Simply to open for large, stiff
hoses or many cables

Easy lengthening
and shortening

3-chamber system
for interior separation

Small bend radii and short pitch

Lightweight mounting bracket
available with strain relief
or as intermediate bracket

- Snap lock mechanism for fast opening
- Openable by hand or with a screwdriver
- For large, stiff hoses or many cables
- Economical multi-axis e-chain® for less demanding applications
- Easy to lengthen and shorten

Typical industries and applications

- Painting hoses
- Rivet feeds
- Robot axes 1-3
- Non-robotic applications
- Special machine construction
- High-tech design

 **iF product design award**
2013 igus® series TRLF



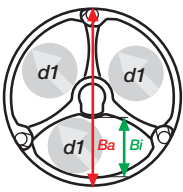
Flip open, insert cable,
and close snap lock mechanism - then ready to run!



Available from stock. **Delivery time*** from 24hrs or today!

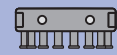
*Delivery time means time until shipping of goods (after technical release)

More information ► www.igus.eu/TRLF



triflex® R | Series TRLF | Product range

Quick filling with larger hoses and cables



TRLF

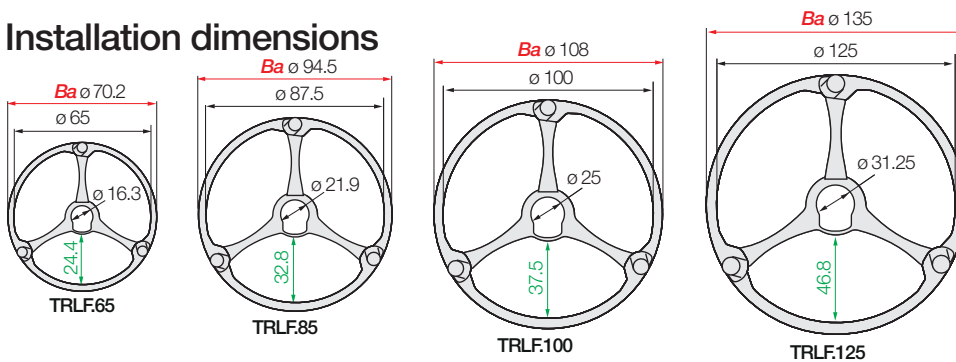
▶ 748



e-chains® | Series TRLF | Light version with snap lock mechanism

Part No.	<i>Bi1</i>	<i>Ba</i>	<i>R</i>	<i>d1</i>	Pitch	Links/	TRLF
e-chains®	[mm]	[mm]	[mm]	[mm]	[mm]	[m]	[kg/m]
TRLF. 65. 100 .0	24.4	70.2	100	22	23.1	44	≈ 0.79
TRLF. 85. 135 .0	32.8	94.5	135	30	30.6	33	≈ 1.45
TRLF. 100.145 .0 ¹⁾	37.5	108	145	35.5	34.5	29	≈ 1.90
TRLF. 125.182 .0	46.8	135	182	44.5	44.1	23	≈ 4.13

Installation dimensions



Snap lock mechanism for fast opening, igus® video online

▶ www.igus.eu/TRLF