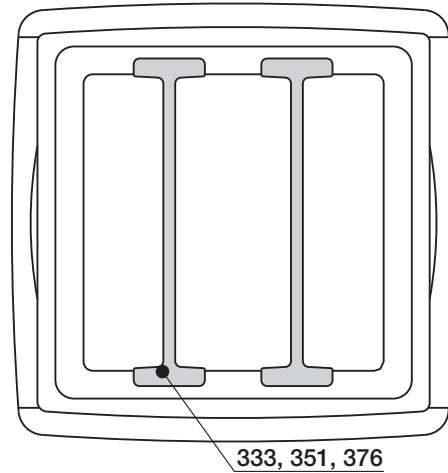


Vertical Separators

Modular separators are available as interior separation for the igus® Triflex® System. They can be used for both vertical and horizontal sub-division. If the separators are assembled every other link and turned 90°, the tube can be sub-divided into four segments. We recommend ordering the tube preassembled, as subsequent assembly of separators is only possible after dismantling the tube. Please note that assembled separators have a different part number than unassembled separators.



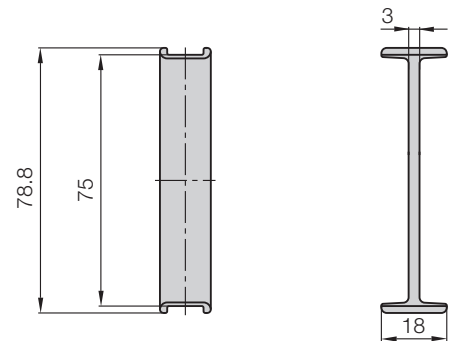
Horizontal subdividing



Vertical subdividing

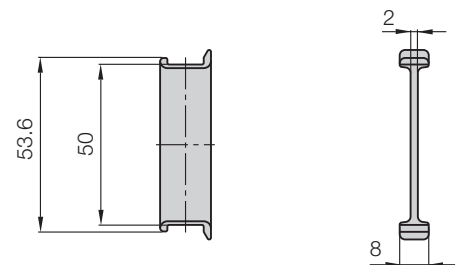
332.75/333.75

Vertical Separator	
unassembled	375
assembled	376



332.50/333.50/352.50/353.50

Vertical Separator	
unassembled	350
assembled	351



332.32/333.32

Vertical Separator	
unassembled	332
assembled	333

