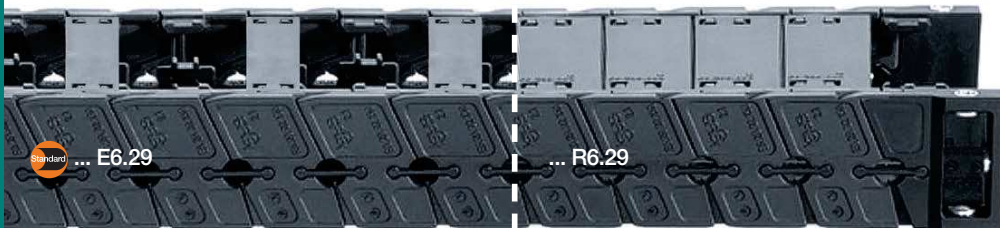
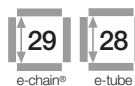


Extremely low noise and vibration



e-chains® | Series E6.29 | Crossbars removable along the inner and outer radius  
e-tubes | Series R6.29 | Lids removable along the inner and outer radius

Part No.	Part No.	Bi	Ba	E6.29	R6.29	Part No.	Part No.	Bi	Ba	E6.29	R6.29	
e-chains®	e-tubes	[mm]	[mm]	[kg/m]	[kg/m]	e-chains®	e-tubes	[mm]	[mm]	[kg/m]	[kg/m]	
E6.29.030.R.0	R6.29.030.R.0	30	46	0.73	0.80	E6.29.090.R.0	R6.29.090.R.0*	90	106	0.88	1.08	
E6.29.040.R.0	R6.29.040.R.0	40	56	0.75	0.85	E6.29.100.R.0	R6.29.100.R.0*	100	116	0.90	1.13	
E6.29.050.R.0	R6.29.050.R.0	50	66	0.78	0.89	E6.29.110.R.0	R6.29.110.R.0	110	126	0.93	1.18	
E6.29.060.R.0	R6.29.060.R.0	60	76	0.80	0.94	E6.29.120.R.0	R6.29.120.R.0	120	136	0.95	1.22	
E6.29.070.R.0	R6.29.070.R.0*	70	86	0.83	0.97	E6.29.140.R.0	-	140.R.0	140	156	1.00	-
E6.29.080.R.0	R6.29.080.R.0	80	96	0.85	1.03							

\*Width available upon request. Please consult igus® for delivery time.

Available bend radii

R [mm] | 055 | 075 | 100 | 150 |

Complete Part No. with required radius (R). Example:

E6.29.080.100.0 = e-chain® / R6.29.080.100.0 = e-tube

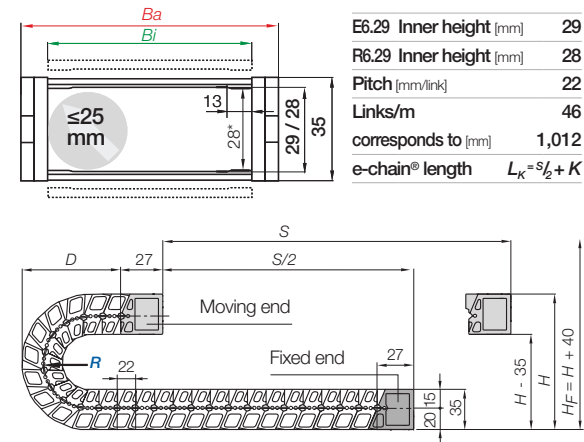
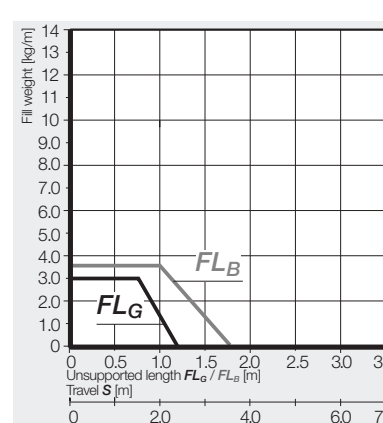


Installation note - system E6

To open, insert the screwdriver into the locking mechanism and prise it open. Repeat the procedure on the other side.

Assembly video available online at ► [www.igus.co.uk/E6\\_assembly](http://www.igus.co.uk/E6_assembly)

Unsupported applications | Short travels



E6.29 Inner height [mm]	29
R6.29 Inner height [mm]	28
Pitch [mm/link]	22
Links/m	46
corresponds to [mm]	1,012
e-chain® length $L_K = S/2 + K$	

R	055	075	100	150
H	180	220	270	370
D	108	128	153	203
K	220	280	360	520

The required clearance height:  $H_F = H + 40\text{mm}$  (with 2.0kg/m fill weight)



**i** If a gliding application is required for a long travel, please consult igus®.

Aluminium support tray

- Corrosion-resistant and seawater-resistant aluminium rails with adjustable width
- Noise-reducing glide strip integrated as standard
- Easy installation and connection of the e-chain®
- Open design - dirt and debris fall through

More information ► From page 1362

