

### e-chains® | E4.64L | Crossbars every link (openable along inner and outer radius, from both sides)

| Part No.         | <i>Bi</i> | <i>Ba</i> | E4.64L | Part No.         | <i>Bi</i> | <i>Ba</i> | E4.64L |
|------------------|-----------|-----------|--------|------------------|-----------|-----------|--------|
| e-chains®        | [mm]      | [mm]      | [kg/m] | e-chains®        | [mm]      | [mm]      | [kg/m] |
| E4.64L.050.R.0** | 050       | 076       | -      | E4.64L.237.R.0** | 237       | 263       | -      |
| E4.64L.062.R.0** | 062       | 088       | -      | E4.64L.250.R.0** | 250       | 276       | -      |
| E4.64L.075.R.0** | 075       | 101       | -      | E4.64L.262.R.0** | 262       | 288       | -      |
| E4.64L.087.R.0   | 087       | 113       | ≈ 2,49 | E4.64L.275.R.0** | 275       | 301       | -      |
| E4.64L.100.R.0** | 100       | 126       | -      | E4.64L.287.R.0** | 287       | 313       | -      |
| E4.64L.112.R.0** | 112       | 138       | -      | E4.64L.300.R.0** | 300       | 326       | -      |
| E4.64L.125.R.0** | 125       | 151       | -      | E4.64L.312.R.0** | 312       | 338       | -      |
| E4.64L.137.R.0** | 137       | 163       | -      | E4.64L.325.R.0** | 325       | 351       | -      |
| E4.64L.150.R.0   | 150       | 176       | ≈ 2,72 | E4.64L.337.R.0** | 337       | 363       | -      |
| E4.64L.162.R.0** | 162       | 188       | -      | E4.64L.350.R.0** | 350       | 376       | -      |
| E4.64L.175.R.0** | 175       | 201       | -      | E4.64L.362.R.0** | 362       | 388       | -      |
| E4.64L.187.R.0** | 187       | 213       | -      | E4.64L.375.R.0** | 375       | 401       | -      |
| E4.64L.200.R.0** | 200       | 226       | -      | E4.64L.387.R.0** | 387       | 413       | -      |
| E4.64L.212.R.0** | 212       | 238       | -      | E4.64L.400.R.0** | 400       | 426       | -      |
| E4.64L.225.R.0** | 225       | 251       | -      |                  |           |           |        |

\*\*Width available upon request. Please consult igus® for delivery time.

\*Radius available upon request. Please consult igus® for delivery time.

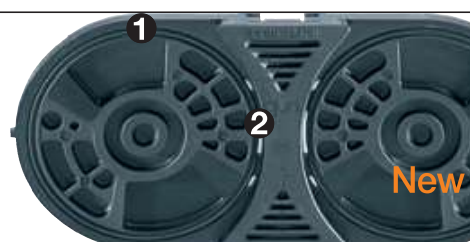
#### Available bend radii

*R* [mm] | 100\* | 125\* | 150 | 175\* | 200\* | 250\* | 300\* | 350\* | 400\* |

Complete Part No., with required radius (*R*). Example: **E4.64L.150.150.0** = crossbars every link

#### E4.64LS - with integrated dust seal

- Integrated seal ① prevents ingress of fine dust in the stop-dogs.
  - Openings ② allow dust to fall out
  - Large inner height 64 mm, low weight and high dynamics
  - Openable along the inner and outer radius, from both sides, optimised wear
- More information ► [www.igus.eu/E4-64LS](http://www.igus.eu/E4-64LS)

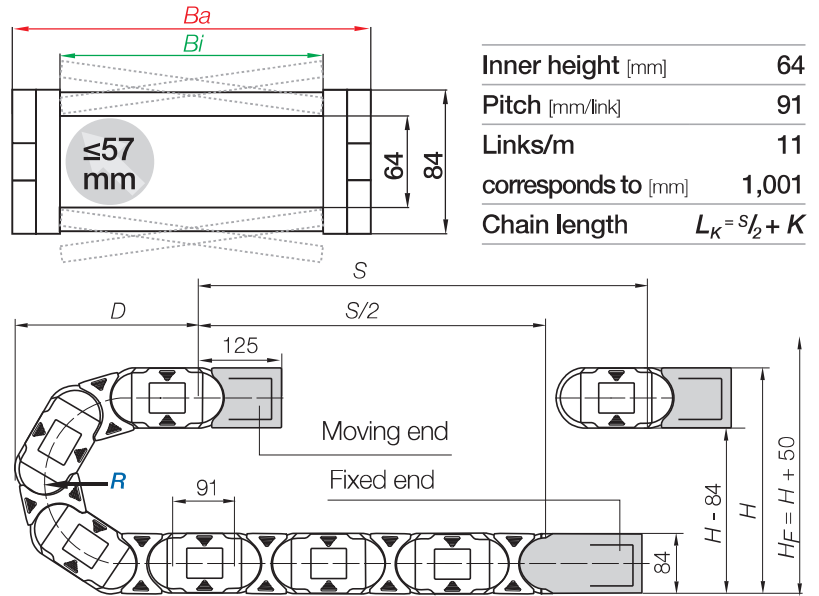
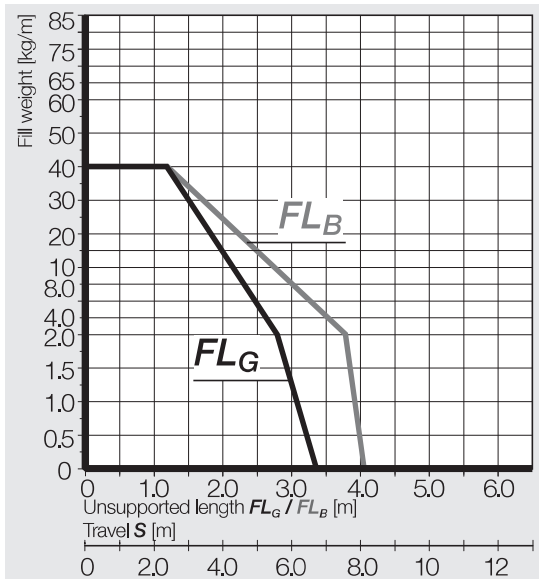




▶ 1098



▶ 1028



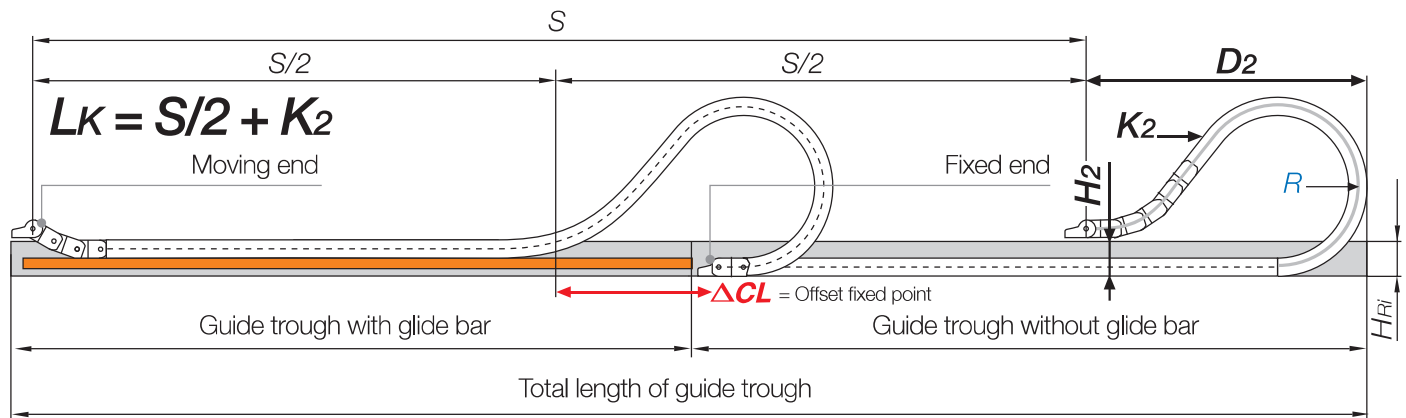
|                     |                 |
|---------------------|-----------------|
| Inner height [mm]   | 64              |
| Pitch [mm/link]     | 91              |
| Links/m             | 11              |
| corresponds to [mm] | 1,001           |
| Chain length        | $L_K = S/2 + K$ |

| R | 100* | 125* | 150 | 175* | 200* | 250* | 300*  | 350*  | 400*  |
|---|------|------|-----|------|------|------|-------|-------|-------|
| H | 284  | 334  | 384 | 434  | 484  | 584  | 684   | 784   | 884   |
| D | 279  | 304  | 329 | 354  | 379  | 429  | 479   | 529   | 579   |
| K | 500  | 575  | 655 | 735  | 815  | 970  | 1,125 | 1,285 | 1,440 |

The required clearance height:  $H_F = H + 50\text{ mm}$  (with 2.0 kg/m fill weight)

\*Radius available upon request. Please consult igus® for delivery time.

## Gliding applications | For long travels, upon request

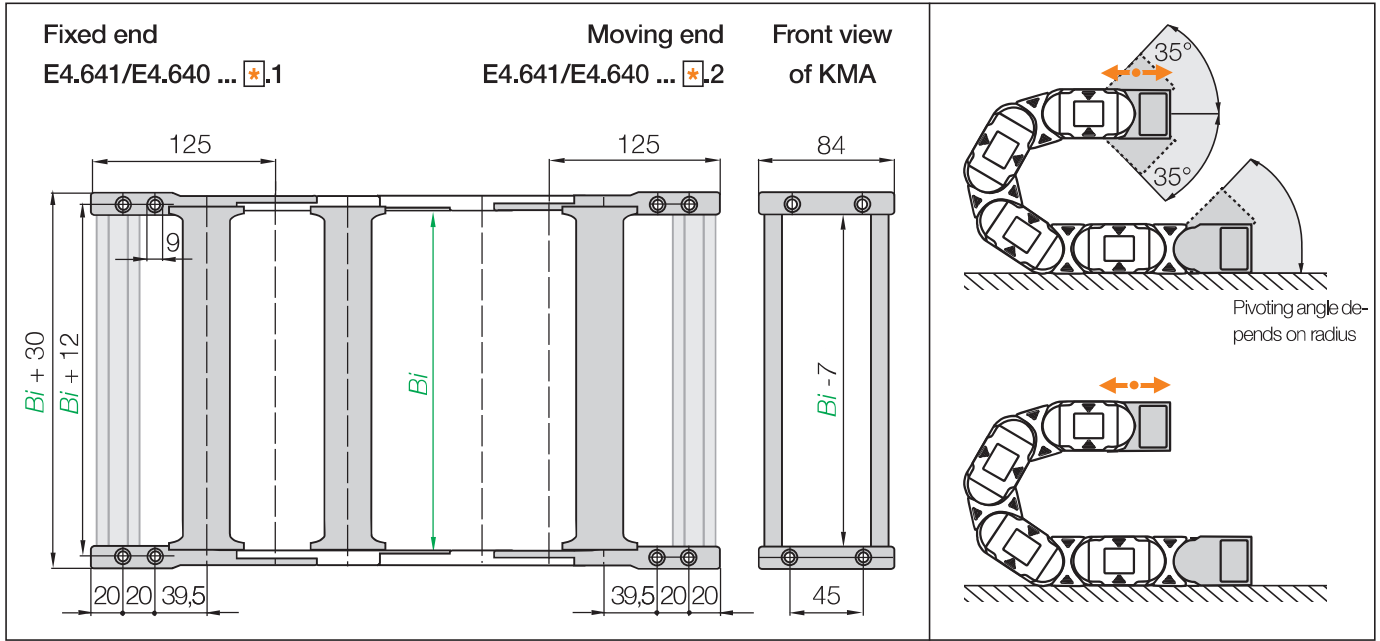


**Note:** We recommend the project planning of such a system to be carried out by igus®.

In case of travels between 5 and 10 m we recommend an e-chain® with a longer unsupported length.

| R              | 100* | 125* | 150 | 175* | 200* | 250* | 300* | 350* | 400* |
|----------------|------|------|-----|------|------|------|------|------|------|
| H <sub>2</sub> | **   | **   | **  | **   | **   | **   | **   | **   | **   |
| D <sub>2</sub> | **   | **   | **  | **   | **   | **   | **   | **   | **   |
| K <sub>2</sub> | **   | **   | **  | **   | **   | **   | **   | **   | **   |
| ΔCL            | **   | **   | **  | **   | **   | **   | **   | **   | **   |

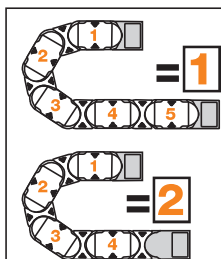
\*Radius available upon request. Please consult igus® for delivery time. \*\*Values upon request



**KMA pivoting** | Recommended for unsupported and gliding applications  
**KMA locking** | Recommended for vertical hanging and standing applications

| Width index | Part No. full set KMA pivoting | Part No. full set KMA locking | Bi [mm] | Width index | Part No. full set KMA pivoting | Part No. full set KMA locking | Bi [mm] |
|-------------|--------------------------------|-------------------------------|---------|-------------|--------------------------------|-------------------------------|---------|
| 05.         | E4.640. 05 .12.C*              | E4.641. 05 .12.C*             | 050     | 23.         | E4.640. 23 .12.C*              | E4.641. 23 .12.C*             | 237     |
| 06.         | E4.640. 06 .12.C*              | E4.641. 06 .12.C*             | 062     | 25.         | E4.640. 25 .12.C*              | E4.641. 25 .12.C*             | 250     |
| 07.         | E4.640. 07 .12.C*              | E4.641. 07 .12.C*             | 075     | 26.         | E4.640. 26 .12.C*              | E4.641. 26 .12.C*             | 262     |
| 08.         | E4.640. 08 .12.C               | E4.641. 08 .12.C              | 087     | 27.         | E4.640. 27 .12.C*              | E4.641. 27 .12.C*             | 275     |
| 10.         | E4.640. 10 .12.C*              | E4.641. 10 .12.C*             | 100     | 28.         | E4.640. 28 .12.C*              | E4.641. 28 .12.C*             | 287     |
| 11.         | E4.640. 11 .12.C*              | E4.641. 11 .12.C*             | 112     | 30.         | E4.640. 30 .12.C*              | E4.641. 30 .12.C*             | 300     |
| 12.         | E4.640. 12 .12.C*              | E4.641. 12 .12.C*             | 125     | 31.         | E4.640. 31 .12.C*              | E4.641. 31 .12.C*             | 312     |
| 13.         | E4.640. 13 .12.C*              | E4.641. 13 .12.C*             | 137     | 32.         | E4.640. 32 .12.C*              | E4.641. 32 .12.C*             | 325     |
| 15.         | E4.640. 15 .12.C               | E4.641. 15 .12.C              | 150     | 33.         | E4.640. 33 .12.C*              | E4.641. 33 .12.C*             | 337     |
| 16.         | E4.640. 16 .12.C*              | E4.641. 16 .12.C*             | 162     | 35.         | E4.640. 35 .12.C*              | E4.641. 35 .12.C*             | 350     |
| 17.         | E4.640. 17 .12.C*              | E4.641. 17 .12.C*             | 175     | 36.         | E4.640. 36 .12.C*              | E4.641. 36 .12.C*             | 362     |
| 18.         | E4.640. 18 .12.C*              | E4.641. 18 .12.C*             | 187     | 37.         | E4.640. 37 .12.C*              | E4.641. 37 .12.C*             | 375     |
| 20.         | E4.640. 20 .12.C*              | E4.641. 20 .12.C*             | 200     | 38.         | E4.640. 38 .12.C*              | E4.641. 38 .12.C*             | 387     |
| 21.         | E4.640. 21 .12.C*              | E4.641. 21 .12.C*             | 212     | 40.         | E4.640. 40 .12.C*              | E4.641. 40 .12.C*             | 400     |
| 22.         | E4.640. 22 .12.C*              | E4.641. 22 .12.C*             | 225     |             |                                |                               |         |

(KMA = polymer metal mounting bracket) For the C-profile option please add index **C**. Width available upon request. Please consult igus® for delivery time.



**Note:** The e-chains® may end with either an inner or an outer side link. An outer side link should always be the first e-chain® link at the moving end. Please specify the index **1** (for odd) or **2** (for even) depending on whether an even or odd number of links is required. To receive brackets **pre-fitted** please add index **A**.

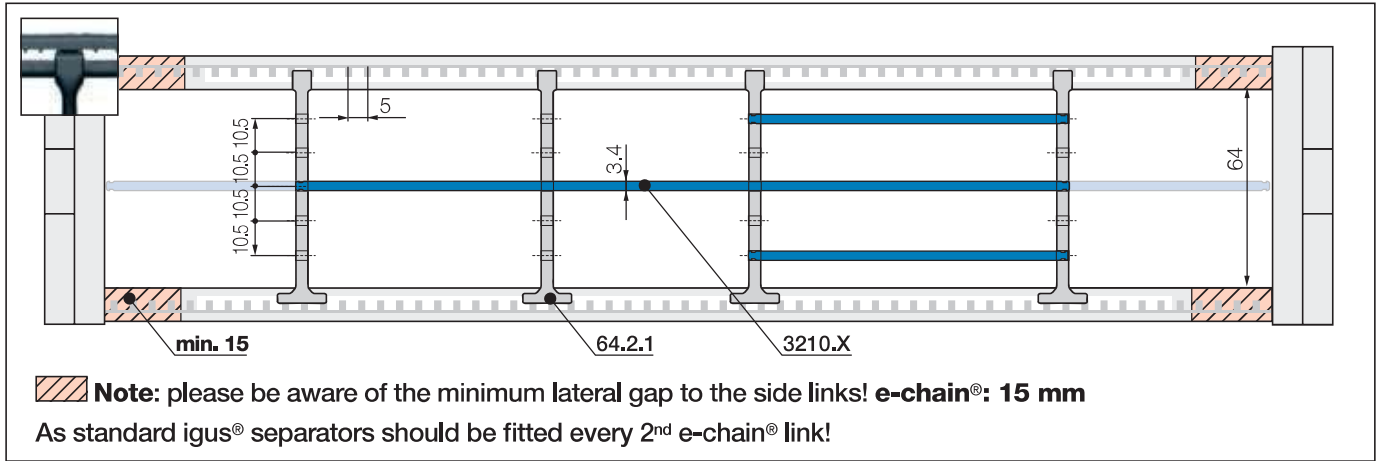
**E4.640.150.2.12.C A** Order example

- A** ... To indicate option with brackets pre-fitted
- C**-profile option
- Full set
- Even numbers of links
- Width index
- e-chain® series



**Strain relief** e.g. clamps, tiwrap plates, nuggets and plug-in clips are available from stock. The complete chainfix range with ordering options ▶ From page 1098

## Interior separation | Increase cable service life



|                               |               |
|-------------------------------|---------------|
| <b>Separator, narrow base</b> |               |
| unassembled                   | <b>64.2</b>   |
| assembled                     | <b>64.2.1</b> |

### For even faster installation

Wide on one side for high holding strength, narrow on opposite side for easy cable fitting.

|                        |               |
|------------------------|---------------|
| <b>Shelf, lockable</b> |               |
| unassembled            | <b>3200.X</b> |
| assembled              | <b>3210.X</b> |

### Horizontal separation

Full-width shelf locks securely into separators at both ends, giving a fixed width. Can be used as full-width or partial shelf.

### Shelves

Width = X [mm]

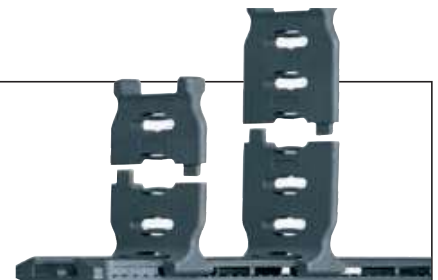


| X [mm] | unassembled     | assembled       | X [mm] | unassembled     | assembled       | X [mm] | unassembled     | assembled       |
|--------|-----------------|-----------------|--------|-----------------|-----------------|--------|-----------------|-----------------|
| 050    | <b>3200.050</b> | <b>3210.050</b> | 125    | <b>3200.125</b> | <b>3210.125</b> | 225    | <b>3200.225</b> | <b>3210.225</b> |
| 075    | <b>3200.075</b> | <b>3210.075</b> | 150    | <b>3200.150</b> | <b>3210.150</b> | 250    | <b>3200.250</b> | <b>3210.250</b> |
| 100    | <b>3200.100</b> | <b>3210.100</b> | 175    | <b>3200.175</b> | <b>3210.175</b> |        |                 |                 |
| 115    | <b>3200.115</b> | <b>3210.115</b> | 200    | <b>3200.200</b> | <b>3210.200</b> |        |                 |                 |

### Split separators - universal retrofit - New

- Separators can be divided in the middle for speedy assembly
- Allows fast filling anywhere in the e-chain® from above or below.
- 2 types available: with wide or narrow base

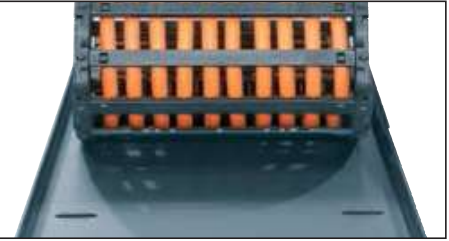
More information ► upon request



### Steel support tray for support of the lower run

- Simple one-piece support trays for the lower run
- To meet your requirements and specification
- 4 variants available

More information ► From page 1062



### E4.64LS - with integrated dust seal

- Integrated seal ❶ prevents ingress of fine dust in the stop-dogs.
  - Openings ❷ allow dust to fall out
  - Large inner height 64 mm, low weight and high dynamics
  - Openable along the inner and outer radius, from both sides, optimised wear
- More information ► [www.igus.eu/E4-64LS](http://www.igus.eu/E4-64LS)

