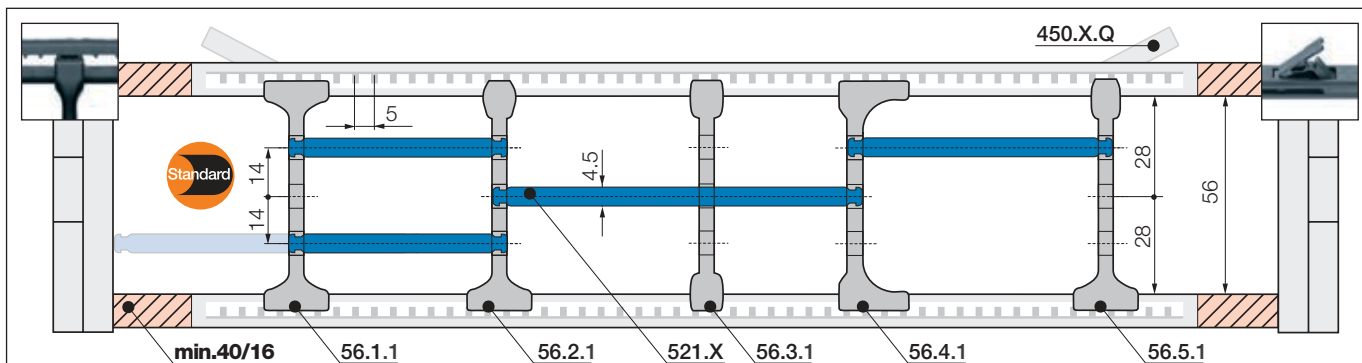


# E4.1 | Series E4.56·H4.56·R4.56 | Accessories

## Interior separation | Increase cable service life

Previous generation of interior separation with other options ► [www.igus.eu/E4.56](http://www.igus.eu/E4.56)



**Note:** please be aware of the minimum lateral gap to the side links! **e-tube: 40 mm | e-chain®: 16 mm**  
As standard igus® separators should be fitted every 2<sup>nd</sup> e-chain® link!

**Standard separator, wide base**

unassembled **56.1**  
assembled **56.1.1**

### Standard - for any application

Separator with a wide base for maximum holding strength in the e-chain®.

**Separator for QuickLock crossbar**

unassembled **56.2**  
assembled **56.2.1**

### For even faster installation

Separator for igus® QuickLock crossbar **450.X.Q.** Wide on one side for high holding strength, narrow on opposite side for easy cable fitting.

**Separator, narrow base**

unassembled **56.3**  
assembled **56.3.1**

### For small cables

Separator with a narrow base for a large number of small cables side by side. Saves space in the e-chain®. Also available for QuickLock crossbars.

**Separator, asymmetrical**

unassembled **56.4**  
assembled **56.4.1**

### For side-mounted applications

Asymmetrical separator, for defined gap distance. No additional spacers required.

**Notch separator for notched crossbar**

unassembled **56.5**  
assembled **56.5.1**

### Locks securely in preset increments

Notch separator for exact positioning in e-chains®. Recommended for side-mounted applications.

**Shelf, lockable**

unassembled **520.X**  
assembled **521.X**

### Horizontal separation

Full-width shelf locks securely into separators at both ends, giving a fixed width. Can be used as full-width or partial shelf.

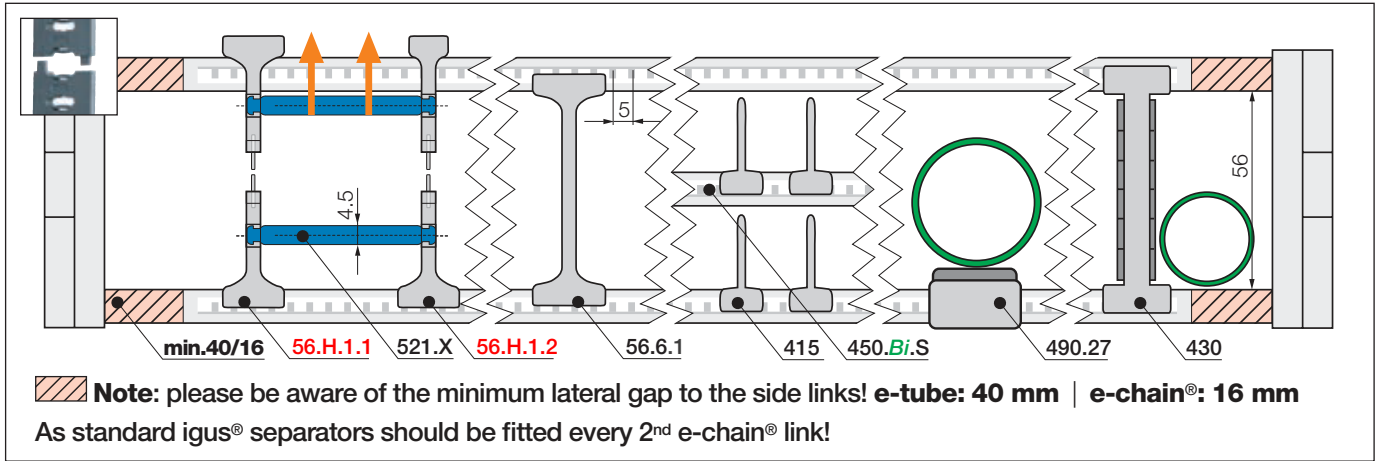
### Shelves


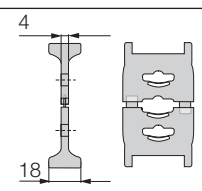
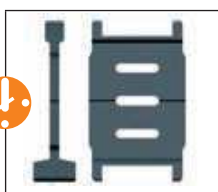
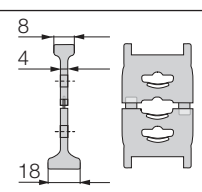

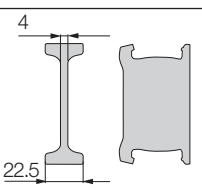
Width = X [mm]



X [mm]	unassembled	assembled	X [mm]	unassembled	assembled	X [mm]	unassembled	assembled
050	520.050	521.050	150	520.150	521.150	300	520.300	521.300
065	520.065	521.065	175	520.175	521.175	350	520.350	521.350
075	520.075	521.075	200	520.200	521.200	375	520.375	520.375
100	520.100	521.100	225	520.225	521.225	387	520.387	520.387
125	520.125	521.125	250	520.250	521.250	450	520.450	521.450

## Special components | Further interior separations New



		<b>Split separator, wide base</b> unassembled <b>56.H.1</b> assembled <b>56.H.1.1</b>
		<b>Split separator, narrow base</b> unassembled <b>56.H.2</b> assembled <b>56.H.2.1</b>
		<b>Locking separator</b> unassembled <b>56.6</b> assembled <b>56.6.1</b>


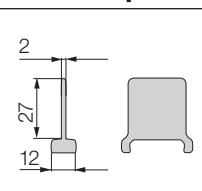

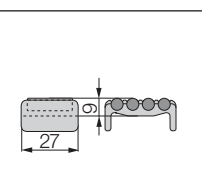

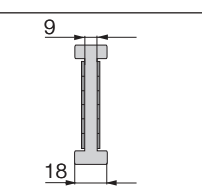
### Split separators

In order to fill e-chains® more easily and effectively, these separators can be split in the middle. As a result, a quick filling with cables is also possible for the "middle" shelf chambers from above. Fast assembly and universal retrofit. 2 types available: with wide or narrow base

### For increased holding strength

Locking separators for higher opening forces with high humidity and/or large hydraulic hoses. They can be positioned precisely and then locked in position.

## Interior separations special components | Only for e-chains®

		<b>Centre opening separator</b> unassembled <b>405</b> assembled <b>415</b>
		<b>Rollclip for e-chains®</b> unassembled <b>489.27</b> assembled <b>490.27</b>
		<b>Roller separator for e-chains®</b> unassembled <b>429</b> assembled <b>430</b>

### Partial height separator

For applications with many small cables. In conjunction with an additional opening crossbar, **part no. 450.Bi.S**, it provides the option to separate the upper and lower halves of the e-chain® independently of each other.

### Rollclip

Minimises abrasion of sensitive hoses - simply clamped onto the opening crossbar. The movable rollers compensate for relative movement between the e-chain® and hose.

### Roller separator

The roller separator is used in a similar way to the rollclip. It is used like a separator. For rigid cables and hoses.