

E2 mini | Series 14

● ● ● Price index

Clean-Room

Cleanroom Class 1 (ISO class 3)
for Series 14, tested by the Dryden
Engineering Company, California



Special equipment:
Electrically conductive ESD/ATEX
version upon request



UL94-V2 classifications



Easy to assemble and to disassemble



When to use the Series 14:

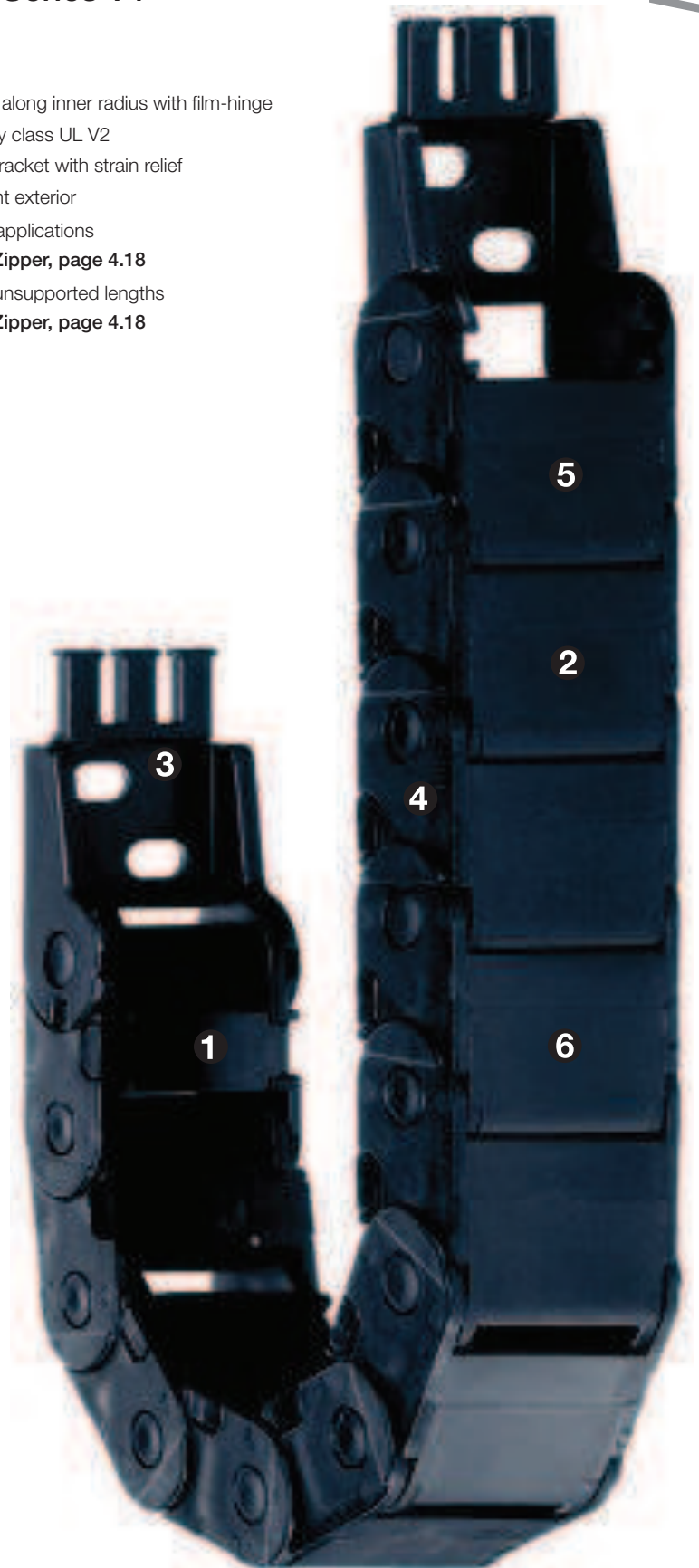
- For applications with low loads
- Fast installation of the cables



When not to use it:

- For gliding applications
 - ▶ Series 15 Zipper, page 4.18
- For long unsupported lengths
 - ▶ Series 15 Zipper, page 4.18

- ① Snap-open along inner radius with film-hinge
- ② Flammability class UL V2
- ③ Mounting bracket with strain relief
- ④ Dirt-repellent exterior
- ⑤ For gliding applications
 - ▶ Series 15 Zipper, page 4.18
- ⑥ For longer unsupported lengths
 - ▶ Series 15 Zipper, page 4.18



Order example complete E-Chain®

Please indicate chain-lengths or number of links Example: 1 m or 33 links

1 m 14.2.038.0



E-Chain®

1 set 114.2.12PZ



Mounting bracket

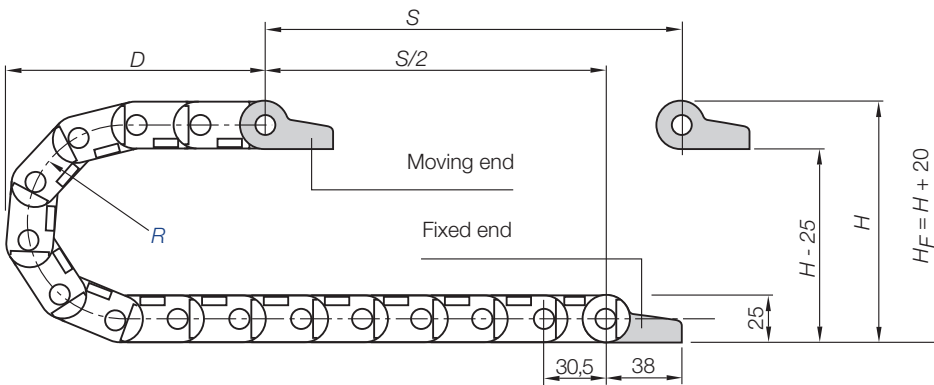
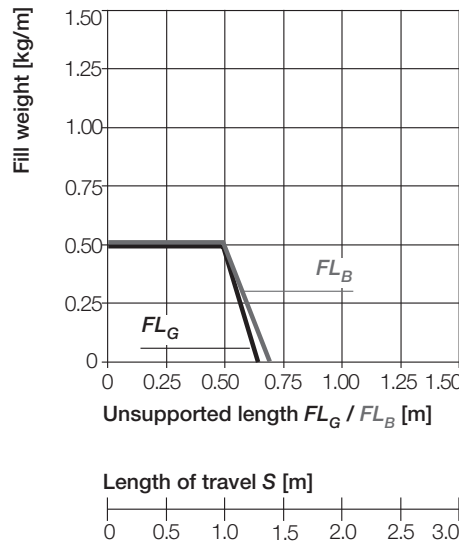
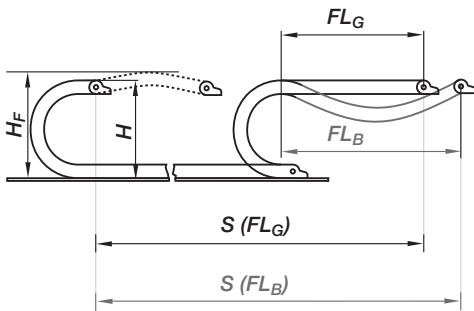


Unsupported length

FL_G = with straight upper run

FL_B = with permitted sag

Further information ► Design, page 1.12



- S = Length of travel
- R = Bending radius
- H = Nominal clearance height
- H_F = Required clearance height
- D = Overlength E-Chain® radius in final position
- $K = \pi \cdot R + \text{"safety"}$



Short travels - unsupported

Unsupported E-Chains® feature positive camber over short travels. This must be accounted for when specifying the clearance height H_F . Please consult igus® if space is particularly restricted.

Pitch = 30,5 mm/link Links/m = 33 (1.006,5 mm) Chain length = $S/2 + K$

R	028	038	048	075	100	125
H	82	102	122	177	227	277
D	71	81	91	120	145	170
K	150	185	215	300	375	455

The required clearance height:
 $H_F = H + 20 \text{ mm}$
 (with 0,5 kg/m fill weight)

Speed / acceleration FL_G	max. 20 [m/s] / max. 200 [m/s ²]
Speed / acceleration FL_B	max. 3 [m/s] / max. 6 [m/s ²]
Gliding speed / acceleration (maximum)	max. 3 [m/s] / max. 10 [m/s ²]
Material - permitted temperature °C	igumid G / -40° up to +120° C
Flammability class, igumid NB	VDE 0304 IIC UL94 V2

Technical Data



Details of material properties
 ► page 1.38



E2 mini
 Inner height: 20 mm

Phone +49- (0) 22 03-96 49-800
 Fax +49- (0) 22 03-96 49-222



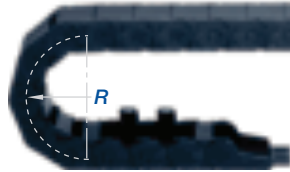
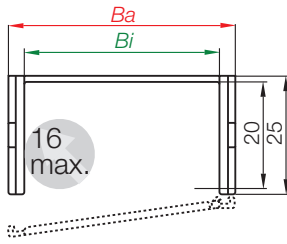
► page 5.47

igus® E-ChainSystems®

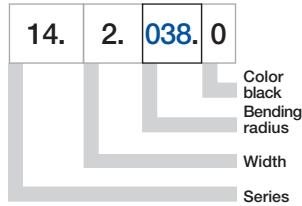
Phone +49- (0) 22 03-96 49-800
 Fax +49- (0) 22 03-96 49-222

igus® GmbH
 51147 Cologne

Internet: www.igus.eu
 E-mail: info@igus.de



Part No. structure



Series 14 E-Chain® - snap-open along inner radius

Part No.	B_i [mm]	B_a [mm]	R [mm]	Bending radii						Weight [kg/m]
14.1. <input type="text"/> .0	15	26	<input type="text"/>	<input type="text"/>	<input type="text"/>	<input type="text"/>	<input type="text"/>	<input type="text"/>	<input type="text"/>	≈ 0,31
14.2. <input type="text"/> .0	25	36	<input type="text"/>	<input type="text"/>	<input type="text"/>	<input type="text"/>	<input type="text"/>	<input type="text"/>	<input type="text"/>	≈ 0,32
14.3. <input type="text"/> .0	38	49	<input type="text"/>	<input type="text"/>	<input type="text"/>	<input type="text"/>	<input type="text"/>	<input type="text"/>	<input type="text"/>	≈ 0,40
14.4. <input type="text"/> .0	50	61	<input type="text"/>	<input type="text"/>	<input type="text"/>	<input type="text"/>	<input type="text"/>	<input type="text"/>	<input type="text"/>	≈ 0,41

Supplement Part No. with required radius. Example: 14.2. .0

0 = standard color, other colors ► page 1.39 · Pitch = 30,5 mm/link - Links/m = 33

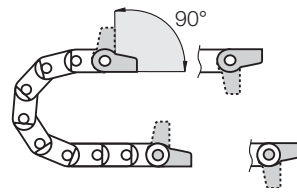




Option Polymer, one-piece

- One-piece mounting bracket
- Corrosion-resistant
- Available preassembled
- Inner and outer attachment possible
- Available with or without strain relief tiewrap plates

Moving end with bore
(outer link) 114...1P(Z)



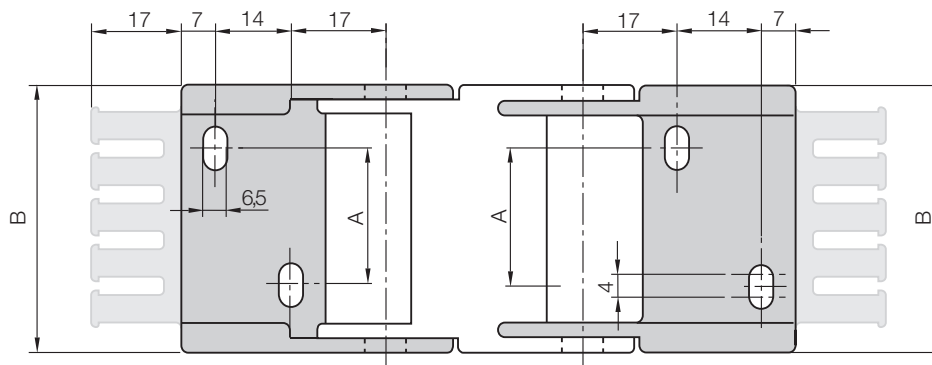
114...2P(Z) Fixed end
with pin (inner link)



Possible installation conditions for assembled mounting brackets ▶ Order example "preassembled" below

114...1P(Z)
Moving end

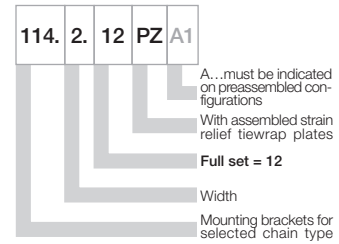
114...2P(Z)
Fixed end



Dimensions and order configurations

Strain relief is possible on the moving end and/or the fixed end.

Part No. structure



For E-Chain®	Part No. full set with tiewrap plate	Part No. full set without tiewrap plate	Dim. A [mm]	Dim. B [mm]
14.1. ▶	114.1. 12 PZ	114.1. 12 P	-	26,3
14.2. ▶	114.2. 12 PZ	114.2. 12 P	10	36,3
14.3. ▶	114.3. 12 PZ	114.3. 12 P	23	49,3
14.4. ▶	114.4. 12 PZ	114.4. 12 P	35	61,3

For the **preassembled** mode please add the index **A1**...**A4** e.g. 114.2. 12 PZ **A1**

Full set, for both ends:

114.2. 12 PZ +tiewrap plate

Single-part order:

114.2. 1 PZ +tiewrap plate

Mounting bracket with bore

114.2. 2 PZ +tiewrap plate

Mounting bracket with pin

Phone +49- (0) 22 03-96 49-800
Fax +49- (0) 22 03-96 49-222



Quicksnap - the complete, detachable mounting unit, upon request



Quickfix - mounting bracket with dowel, upon request

Additional Features

