



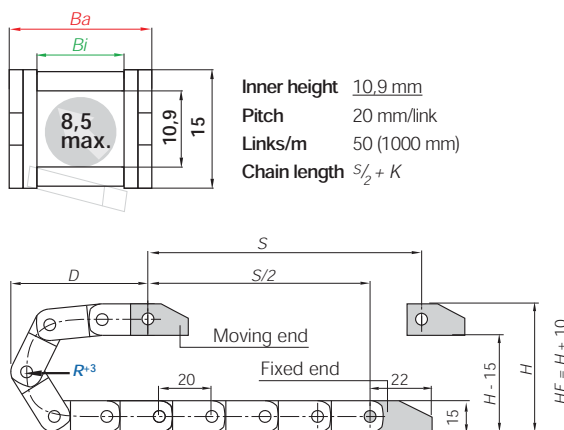
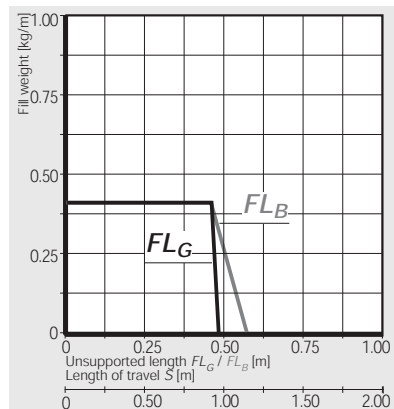
Series 074 | One-piece, snap-open along inner radius with film-hinge

Snap-open along inner radius	<i>Bi</i> [mm]	<i>Ba</i> [mm]	<i>R</i> Bending radii [mm]	Weight [kg/m]
074. 10 .R.0	10	16,3	018 028 038	≈ 0,15
074. 16 .R.0	16	22,3	018 028 038	≈ 0,16
074. 20 .R.0	20	26,3	018 028 038	≈ 0,17
074. 30 .R.0*	30	36,3	018 028 038	≈ 0,20
074. 40 .R.0*	40	46,3	018 028 038	≈ 0,23

*Width available upon request, please consult igus® for delivery time

Supplement Part No. with required radius (*R*). Example: 074.10.018.0

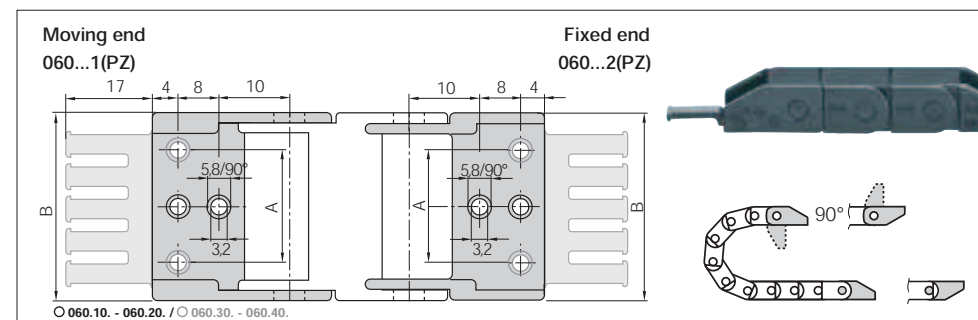
Dimensions



<i>R</i>	018	028	038
<i>H</i>	51	71	91
<i>D</i>	56	66	76
<i>K</i>	100	130	160

The required clearance height: $H_F = H + 10$ mm (with 0,2 kg/m fill weight)

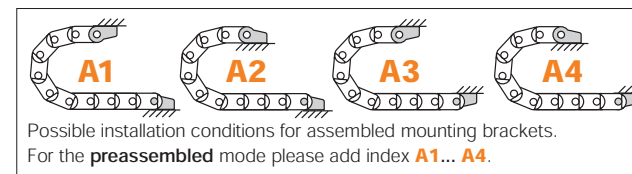
Mounting brackets, polymer one-piece | locking | More features ► www.igus.eu/074



Width Index	Part No. full set with tiewrap plates	Part No. full set without tiewrap plates	Dim. A [mm]	Dim. B [mm]	Number of teeth
.10. ►	060.10. 12PZ	060.10. 12	-	16,5	1
.16. ►	060.16. 12PZ	060.16. 12	-	22,5	2
.20. ►	060.20. 12PZ	060.20. 12	-	27	2
.30. ►	060.30. 12PZ*	060.30. 12*	22	37	3
.40. ►	060.40. 12PZ*	060.40. 12*	32	47	4

*Width available upon request, please consult igus® for delivery time

Drilling pattern for Part No.: ○ 060.10. - 060.20. center bores only / ○ 060.30. - 060.40. outer bores only (see figure above)



Part No. structure

060.10. 12 PZ A1

A... must be indicated on preassembled configurations

With strain relief tiewrap plates

Full set

Mounting bracket for selected width index