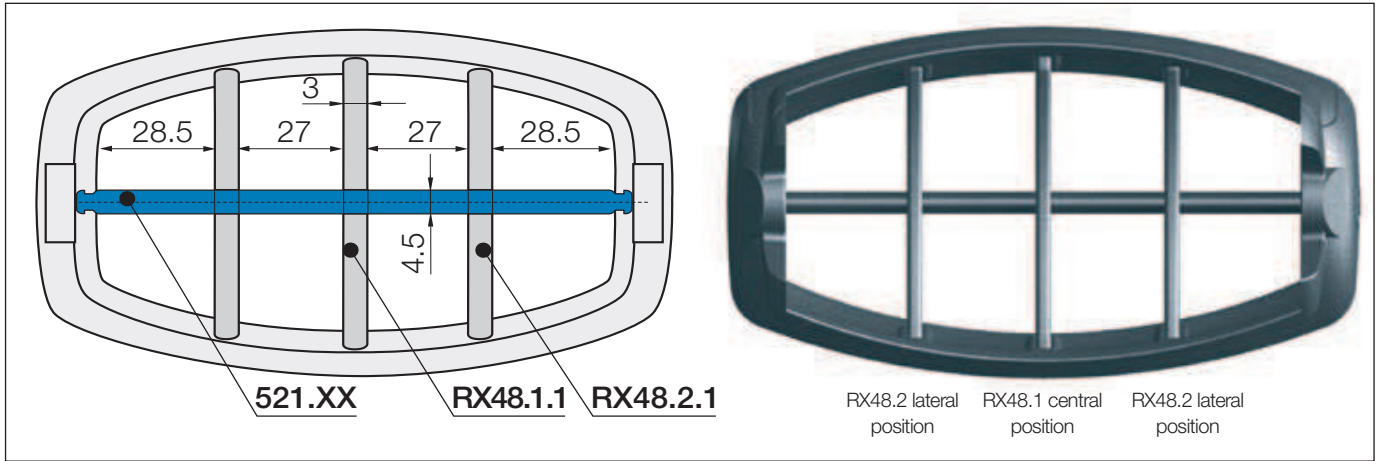


Interior separation



Slotted separator
(central position)

unassembled	RX48.1
assembled	RX48.1.1

Slotted separator
(lateral position)

unassembled	RX48.2
assembled	RX48.2.1

Shelf, lockable

unassembled	520.X
assembled	521.X

Vertical separation - slotted separators:

RX48.1 (central position)

RX48.2 (lateral position)

Vertical separation of the large interior space using cable-friendly, polymer separators. Due to their slots, basic vertical and horizontal shelving arrangements are possible. As standard igus® separators should be fitted every 2nd e-chain® link.

Horizontal separation

Full-width shelf locks securely into separators at both ends, giving a fixed width. Can be used as full-width or partial shelf.



Shelves

Width = X [mm]

X [mm]	unassembled	assembled	X [mm]	unassembled	assembled
034	520.34	521.34	094	520.94	521.94
064	520.64	521.64	124	520.124	521.124