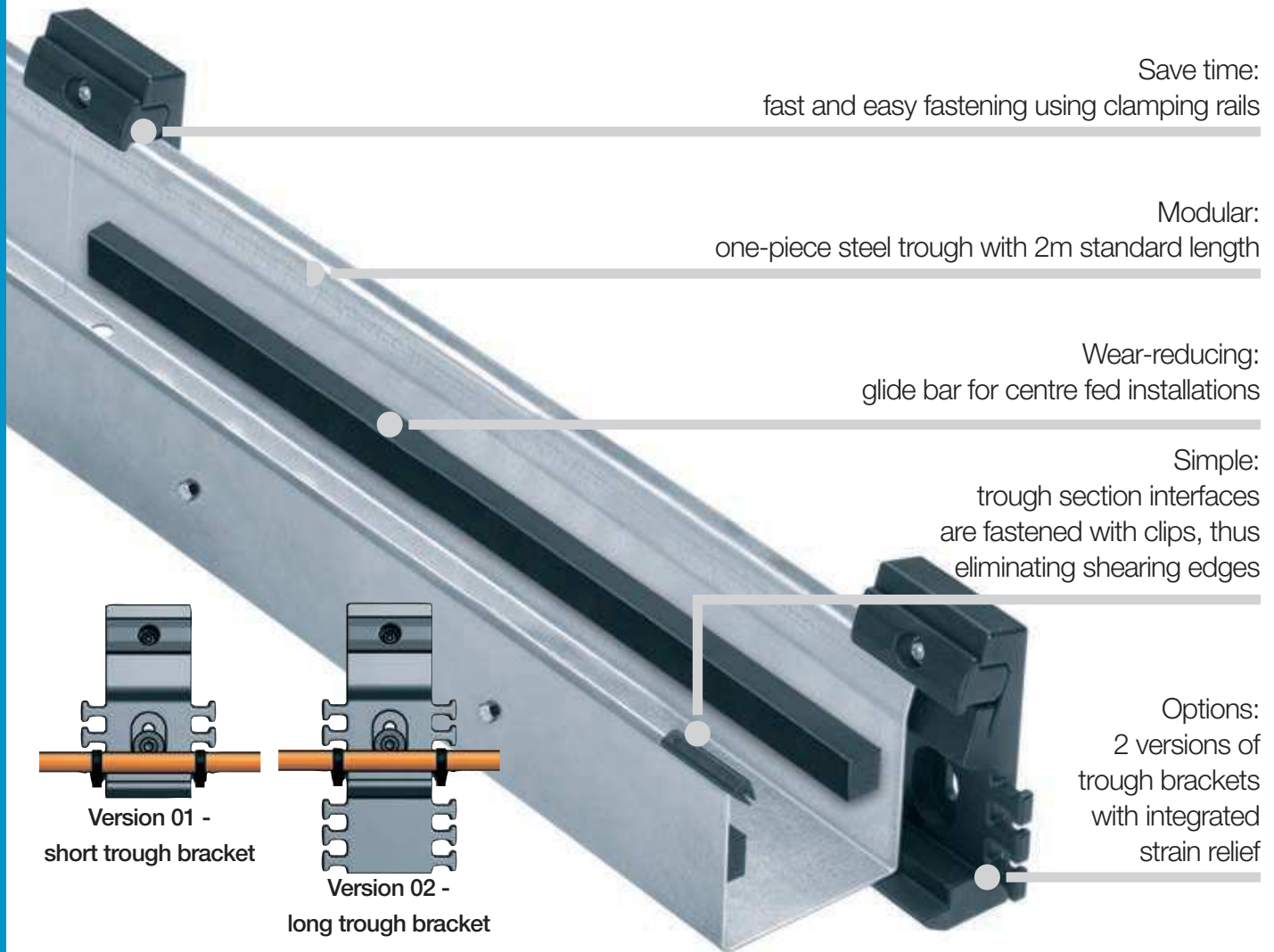


guidefast guide trough | Introduction | Advantages





Quickly installed modular kit, for crane girders and indoor cranes

- The guidefast guide trough is mounted on the side of the crane girder so that welded brackets are not necessary
- Save up to 80% installation time compared to standard trough systems
- Cost-effective modular solution
- Fits virtually any standard crane girder
- 2 versions of brackets with integrated strain relief for assembly of static cables on the crane girder
- Suitable for any side-mounted application - not only on cranes
- Easy to install due to preassembled hole patterns of e-chain® brackets
- Standard material: galvanised steel,
- Optional: stainless steel V2A, material 1.4301 (AISI 304) or black powder coated
- Conductivity according to DIN EN 61537: as standard with special connector
- Long-term tested to withstand vibration and tough environments

Typical industries and applications

- Crane manufacturers (mainly indoor cranes)
- Applications where the side installation of the guide trough is beneficial

Series Part No.	e-chains® <i>Bi</i> [mm]	<i>B_{Ri}</i> [mm]	Complete width [mm]	Material trough profile	Page
 <p>guidefast without glide bar for E2/000 series: ● 1500 ● 2500 ● 2700</p>					
GF91.30.025.2000	1500.025.	42.5	81	galvanised steel*	1077
GF91.30.050.2000	1500.050.	67.5	106	galvanised steel*	1077
GF92.30.03. 2000	2500.03.	58	96.5	galvanised steel*	1077
GF92.30.05. 2000	2500.05.	77	115.5	galvanised steel*	1077
GF92.30.07. 2000	2500.07.	97	135.5	galvanised steel*	1077
GF92.30.09. 2000	2500.09.	109	145.5	galvanised steel*	1077
GF92.30.10. 2000	2500.10.	123	161.5	galvanised steel*	1077
GF95.30.05. 2000	2700.05.	70	108.5	galvanised steel*	1077
GF95.30.07. 2000	2700.07.	95	133.5	galvanised steel*	1077
GF95.30.10. 2000	2700.10.	120	158.5	galvanised steel*	1077

 <p>guidefast with glide bar for the E2/000 series: ● 1500 ● 2500 ● 2700</p>					
GF91.31.025.2000	1500.025.	42.5	81	galvanised steel*	1077
GF91.31.050.2000	1500.050.	67.5	106	galvanised steel*	1077
GF92.31.05. 2000	2500.05.	77	115.5	galvanised steel*	1077
GF92.31.07. 2000	2500.07.	97	135.5	galvanised steel*	1077
GF92.31.10. 2000	2500.10.	123	161.5	galvanised steel*	1077
GF95.31.05. 2000	2700.05.	70	108.5	galvanised steel*	1077
GF95.31.07. 2000	2700.07.	95	133.5	galvanised steel*	1077
GF95.31.10. 2000	2700.10.	120	158.5	galvanised steel*	1077

*standard material: galvanised steel. Optional: stainless steel V2A, material 1.4301 (AISI 304) or black powder coated



Available from stock. **Delivery time*** from 24hrs or today!

*Delivery time means time until shipping of goods (after technical release)

Standard-length from stock 2,000 mm



For the following igus® series

E2/000

- 1500
- 2500
- 2700

Components - guidefast guide trough

- ① Trough profile, 2 m section
- ② Glide bar, polymer, 2 m section, optional
- ③ Clip connector, Part No. 908.467
(electrically conductive clip: 911.301.CD)

Components - trough bracket

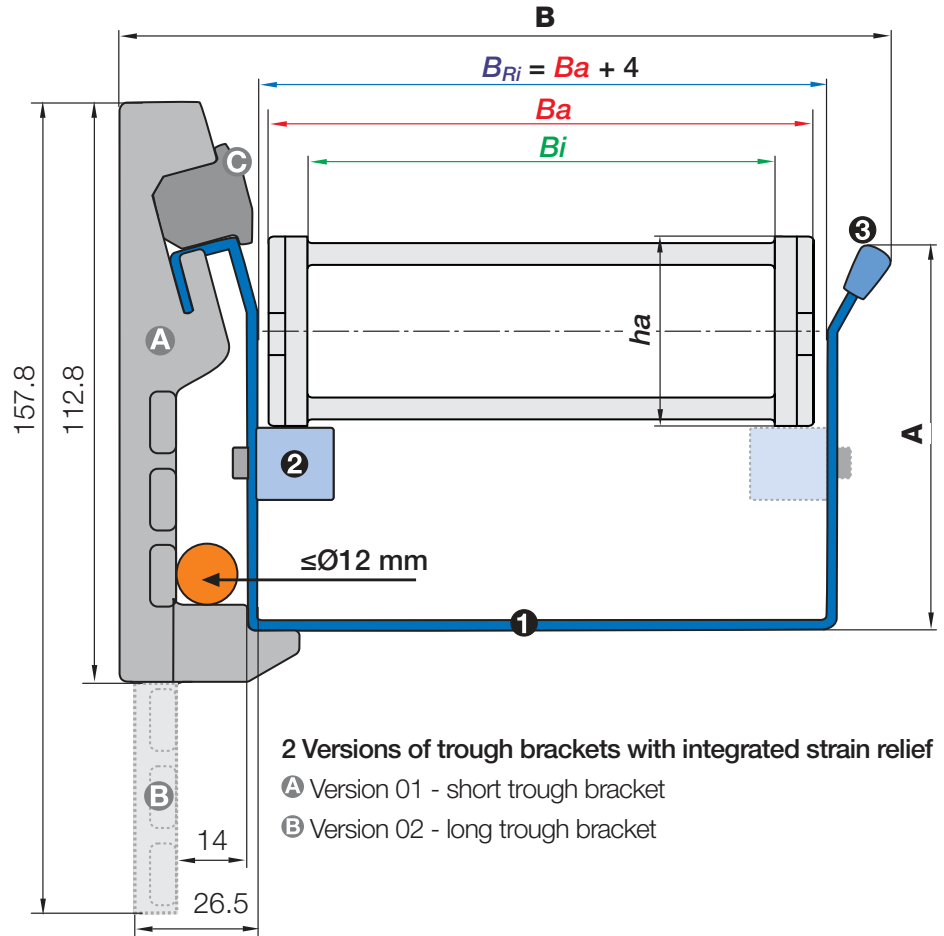
- Ⓐ Version 01 - short trough bracket
- Ⓑ Version 02 - long trough bracket
- Ⓒ Clamping blocks, Part No. G9.2.10

Ba = e-chain® outer width

Bi = e-chain® inner width

ha = e-chain® outer height

B_{Ri} = Trough inner width



2 Versions of trough brackets with integrated strain relief

Ⓐ Version 01 - short trough bracket

Ⓑ Version 02 - long trough bracket



guidefast guide trough without glide bar, short trough bracket, standard-length from stock 2,000 mm



guidefast guide trough with glide bar, short trough bracket, standard-length from stock 2,000 mm

Trough profile | Product range | Installation dimensions

For e-chain® Series	Trough profile* without glide bar	Trough profile* with glide bar	B_{Ri} [mm]	A [mm]	B [mm]
1500.025.	GF91.30.025.2000	GF91.31.025.2000	42.5	61	81
1500.050.	GF91.30.050.2000	GF91.31.050.2000	67.5	61	106
2500.03.	GF92.30.03. 2000	GF92.31.03. 2000	58	75	97
2500.05.	GF92.30.05. 2000	GF92.31.05. 2000	77	75	115.5
2500.07.	GF92.30.07. 2000	GF92.31.07. 2000	97	75	135.5
2500.09.	GF92.30.09. 2000	GF92.31.09. 2000	109	75	148
2500.10.	GF92.30.10. 2000	GF92.31.10. 2000	123	75	161.5
2700.05.	GF95.30.05. 2000	GF95.31.05. 2000	70	105	108.5
2700.07.	GF95.30.07. 2000	GF95.31.07. 2000	95	105	133.5
2700.10.	GF95.30.10. 2000	GF95.31.10. 2000	120	105	158.5

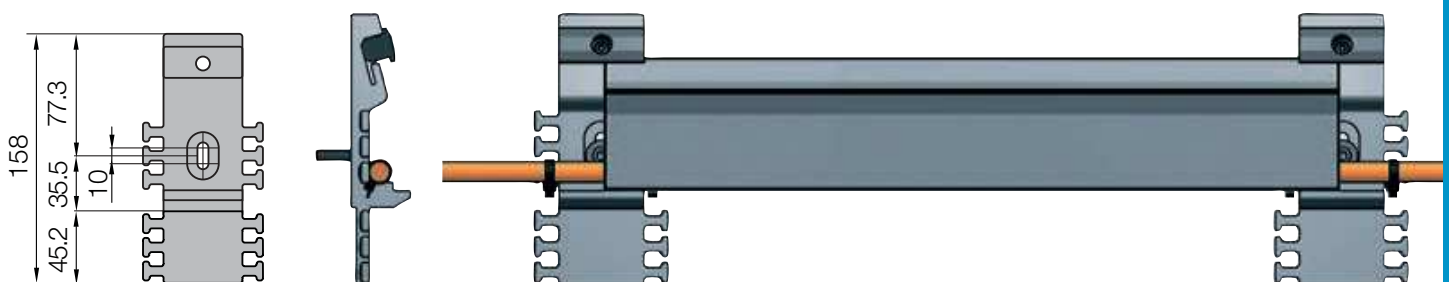
Standard material: galvanised steel. Optional: stainless steel V2A, material 1.4301 (AISI 304) or black powder coated

Trough brackets with integrated strain relief | 2 versions | Product range | Installation dimensions

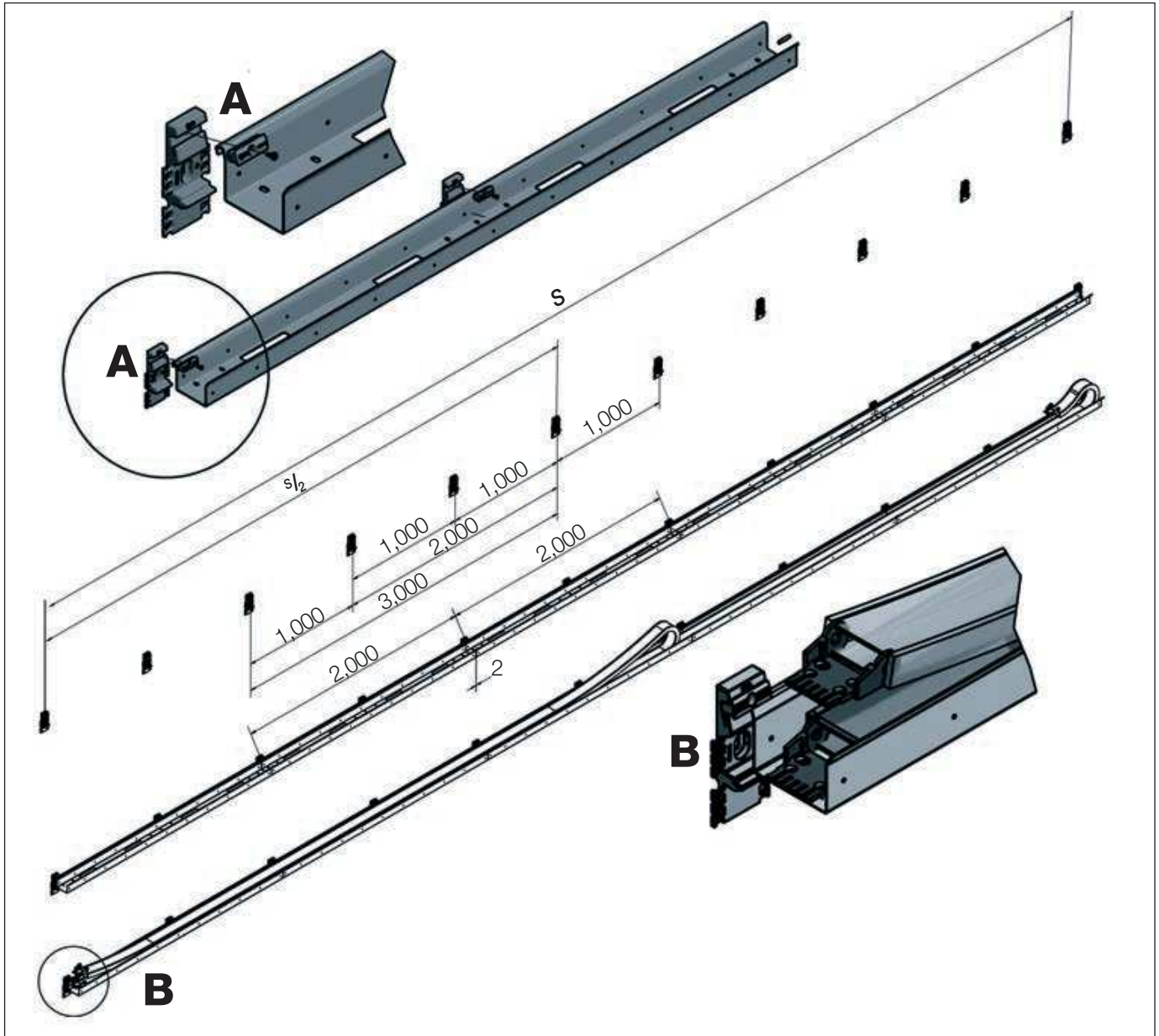
For Trough profile	guidefast trough bracket short version 01 (set with clamping blocks)	guidefast trough bracket long version 02 (set with clamping blocks)
GF91.XX.025.	GF9.2.12	GF9.2.11
GF91.XX.050.	GF9.2.12	GF9.2.11
GF92.XX.03.	GF9.2.12	GF9.2.11
GF92.XX.05.	GF9.2.12	GF9.2.11
GF92.XX.07.	GF9.2.12	GF9.2.11
GF92.XX.09.	GF9.2.12	GF9.2.11
GF92.XX.10.	GF9.2.12	GF9.2.11
GF95.XX.05.	GF9.2.12	GF9.2.11
GF95.XX.07.	GF9.2.12	GF9.2.11
GF95.XX.10.	GF9.2.12	GF9.2.11



Version 01 - short trough bracket Part No. GF9.2.12 with integrated strain relief, ± 5 mm vertical adjustment
(electrically conductive version: GF9.2.12.CD)



Version 02 - long trough bracket Part No. GF9.2.11 with integrated strain relief, ± 5 mm vertical adjustment
(electrically conductive version: GF9.2.11.CD)



Order example for end fed,
travel \approx 9.5 m / guide trough 10 m

Trough profile set **without** glide bar (incl. 5 clip connectors)

GF92.30.07.2000

Order text: 10 m = 5 x 2 m sections trough profile, without glide bar

Trough brackets (incl. 11 clamping blocks, "long" Version 02)

GF9.2.11

Order text: 11 x trough brackets



10 m = 5 x 2 m trough profile, without glide bar + 11 x trough brackets

10 m = 5 x GF92.30.07.2000 + 11 x GF9.2.11



guidefast - attachment to the crane girder using welded bolts or nut/thread, here with version 2 long trough bracket