



Support Tray

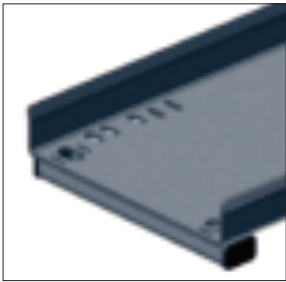
Support tray | For support of the lower run



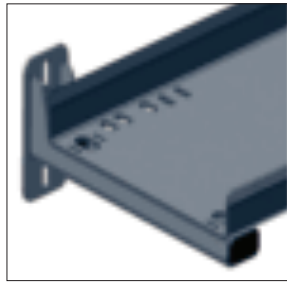
For support of the lower run - Support tray tool kit

Simple one-piece support trays for the lower E-Chain® run, according with your requirements and specification. Your width, height and color - we supply the fitting E-Chain®, together with the support tray system. Ready to install onto your machine or application. Save on procurement and design time.

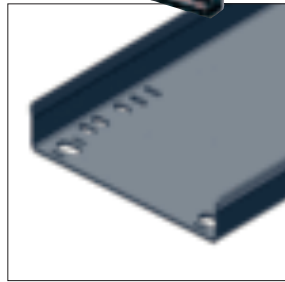
igus® support tray - in 2 types
and 4 options available



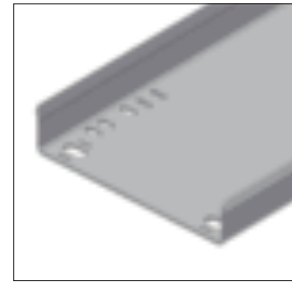
Option 01 -
with connection-rail



Option 02 -
with bracket



Option 03 -
without rail

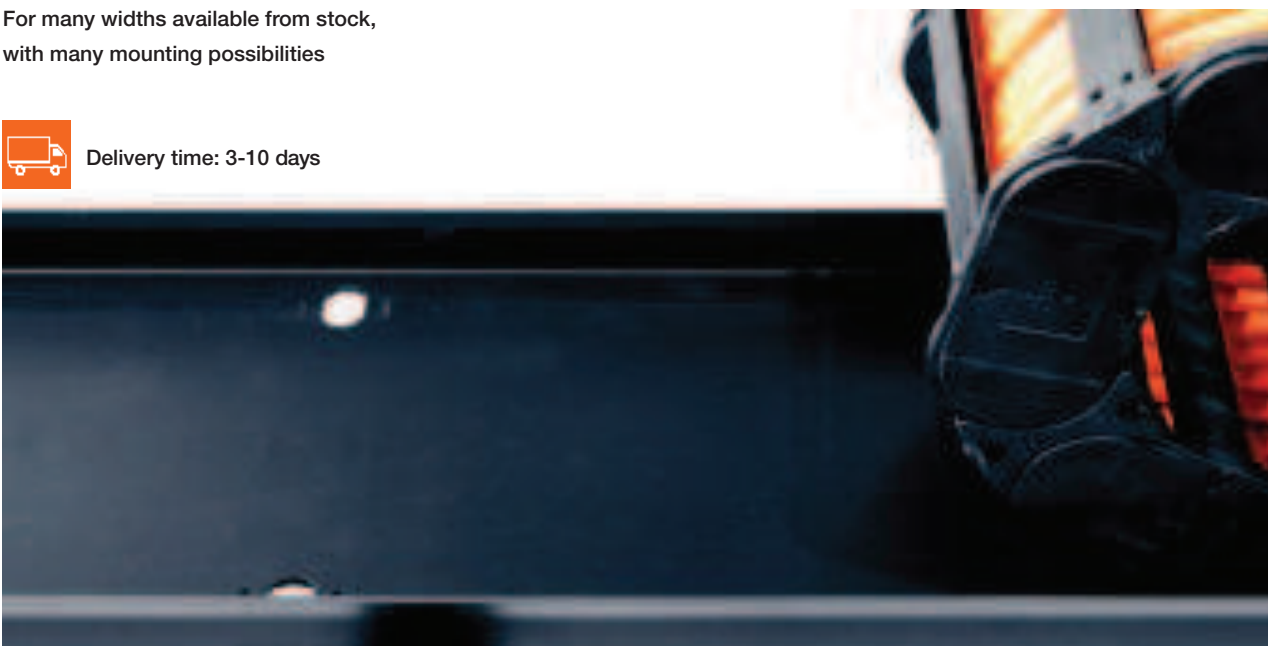


Option 04 -
customized

For many widths available from stock,
with many mounting possibilities



Delivery time: 3-10 days

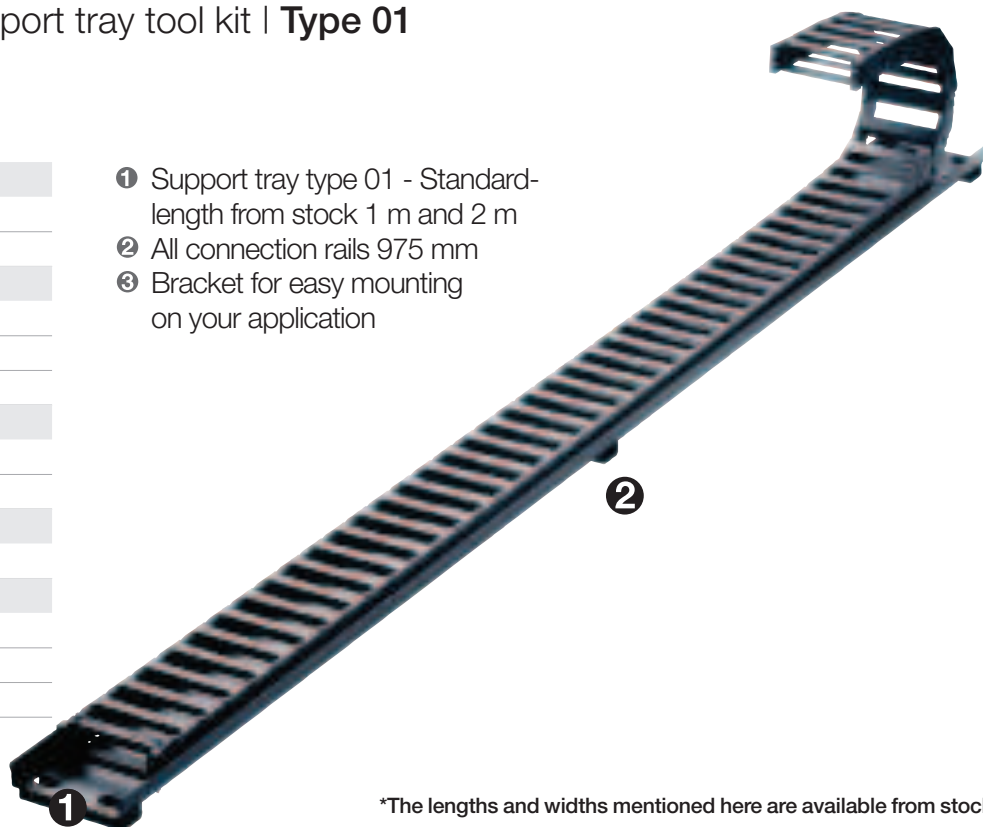




For the following
E-Chains®/E-Tubes:

- E2/000**
 - 2400/2450/2480/2500
 - 2600/2650/2680/2700
- E4.1**
 - E4.21 (210)
 - E4.28/R4.28
 - E4.32/H4.32/R4.32
- E4/00**
 - 220/R760
 - 280/290/R770
- E4/4**
 - 2828/2928/R7728
- E6**
 - E6.29/R6.29
 - E6.35
 - E6.40/R6.40

- ① Support tray type 01 - Standard-length from stock 1 m and 2 m
- ② All connection rails 975 mm
- ③ Bracket for easy mounting on your application



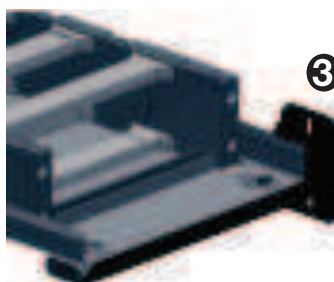
*The lengths and widths mentioned here are available from stock in the standard black color. For other lengths, widths and colors, please contact us.

Product Range*

System	Suitable for the following series ▼	Widths-index	B_{Ra} [mm]	B_{Ri} [mm]	Part No. Support-tray, single	Part No. Support-tray with bracket	Part No. single bracket		
E2/000	2400/2450/2480/2500	.05	89	80	S9.010.05.XXXX.0	S9.011.05.XXXX.0	907.724.05		
		.07	114	105	S9.010.07.XXXX.0	S9.011.07.XXXX.0	907.724.07		
		.10	139	130	S9.010.10.XXXX.0	S9.011.10.XXXX.0	907.724.10		
E2/000	2600/2650/2680/2700	.05	89	80	S9.010.05.XXXX.0	S9.011.05.XXXX.0	907.724.05		
		E4.1	E4.32/H4.32/R4.32	.07	114	105	S9.010.07.XXXX.0	S9.011.07.XXXX.0	907.724.07
		E4/4	2828/2928/R7728	.10	139	130	S9.010.10.XXXX.0	S9.011.10.XXXX.0	907.724.10
E4/00	280/290/R770	.15	185	175	S9.010.15.XXXX.0	S9.011.15.XXXX.0	907.724.15		
E4.1	E4.21	.050	89	80	S9.010.05.XXXX.0	S9.011.05.XXXX.0	907.724.05		
		E6	E6.29/R6.29	.070	114	105	S9.010.07.XXXX.0	S9.011.07.XXXX.0	907.724.07
		E6	E6.35	.100	139	130	S9.010.10.XXXX.0	S9.011.10.XXXX.0	907.724.10
E4.1	E4.28/R4.28	.050	89	80	S9.010.05.XXXX.0	S9.011.05.XXXX.0	907.724.05		
		E4/00	220/R760	.070	114	105	S9.010.07.XXXX.0	S9.011.07.XXXX.0	907.724.07
		E6	E6.40/R6.40	.100	139	130	S9.010.10.XXXX.0	S9.011.10.XXXX.0	907.724.10
				.150	185	175	S9.010.15.XXXX.0	S9.011.15.XXXX.0	907.724.15

Please replace **XXXX** by the standard lengths 1000 or 2000 mm available from stock!

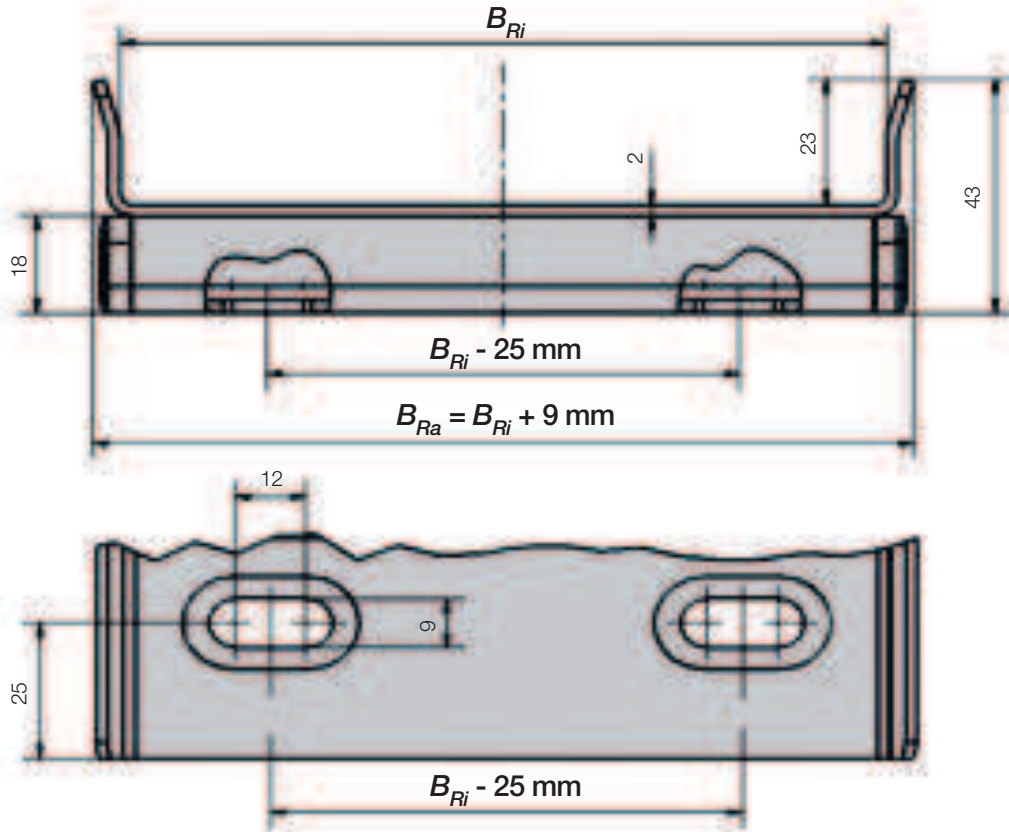
Accessories - optional bracket



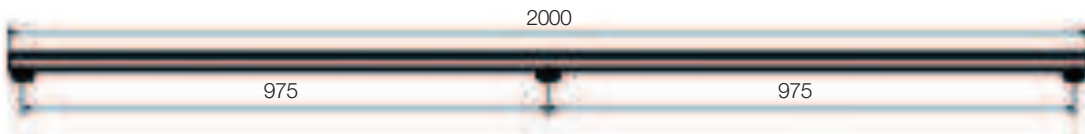
Bracket for easy mounting on your application (see table above for Part No.)



Mounting holes of the trough system



Standard lengths from stock 1 m and 2 m - All connection rails 975 mm



S9. 010. 07. 1000. 0



Part No. structure
1000 mm

- Color, powdered black
- Length 1000 mm
- E-Chain®- width
without bracket
- Support tray

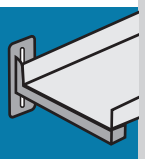
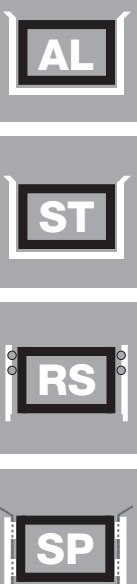
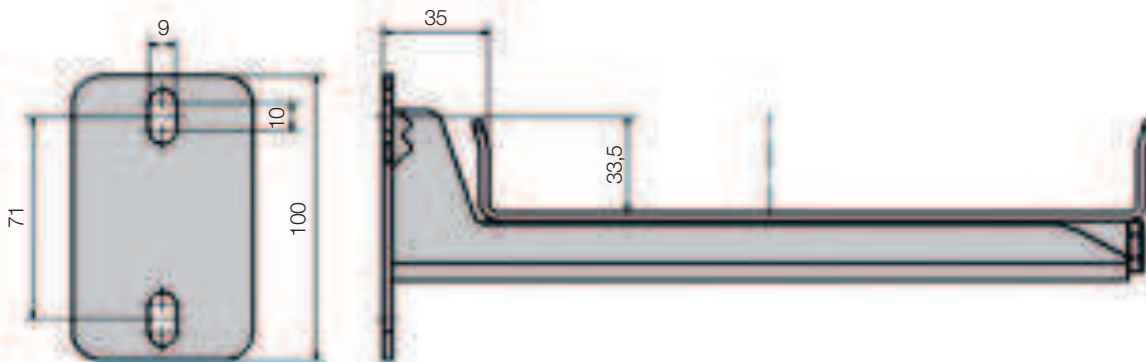
S9. 011. 15. 2000. 0



Part No. structure
2000 mm

- Color, powdered black
- Length 2000 mm
- E-Chain®- width
with bracket
- Support tray

Bracket - Type 01

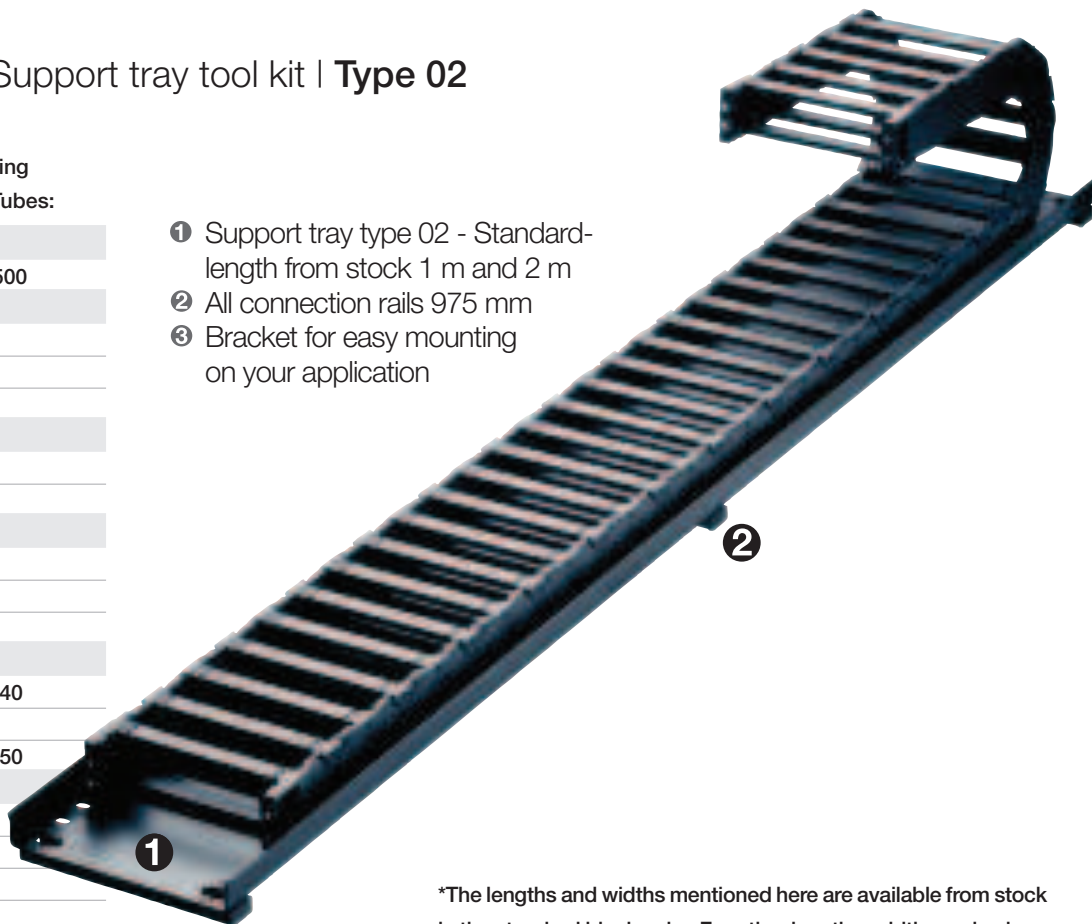




For the following
E-Chains®/E-Tubes:

- E2/000
 - 3400/3450/3480/3500
- E4.1
 - E4.42/H4.42/R4.42
 - E4.56/H4.56/R4.56
 - E4.80/H4.80/R4.80
- E4/00
 - 380/390/R780
 - 400/410/R880
- E4/4
 - 3838/3938/R7838
 - 4040/4140/R8840
 - 5050/5150/R9850
- E4/light
 - 14040/14140/R18840
 - 14240/14340
 - 15050/15150/R19850
- E4/00
 - E6.52/R6.52
 - E6.62
 - E6.80

- ① Support tray type 02 - Standard-length from stock 1 m and 2 m
- ② All connection rails 975 mm
- ③ Bracket for easy mounting on your application



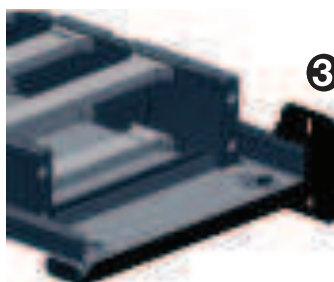
*The lengths and widths mentioned here are available from stock in the standard black color. For other lengths, widths and colors, please contact us.

Product Range*

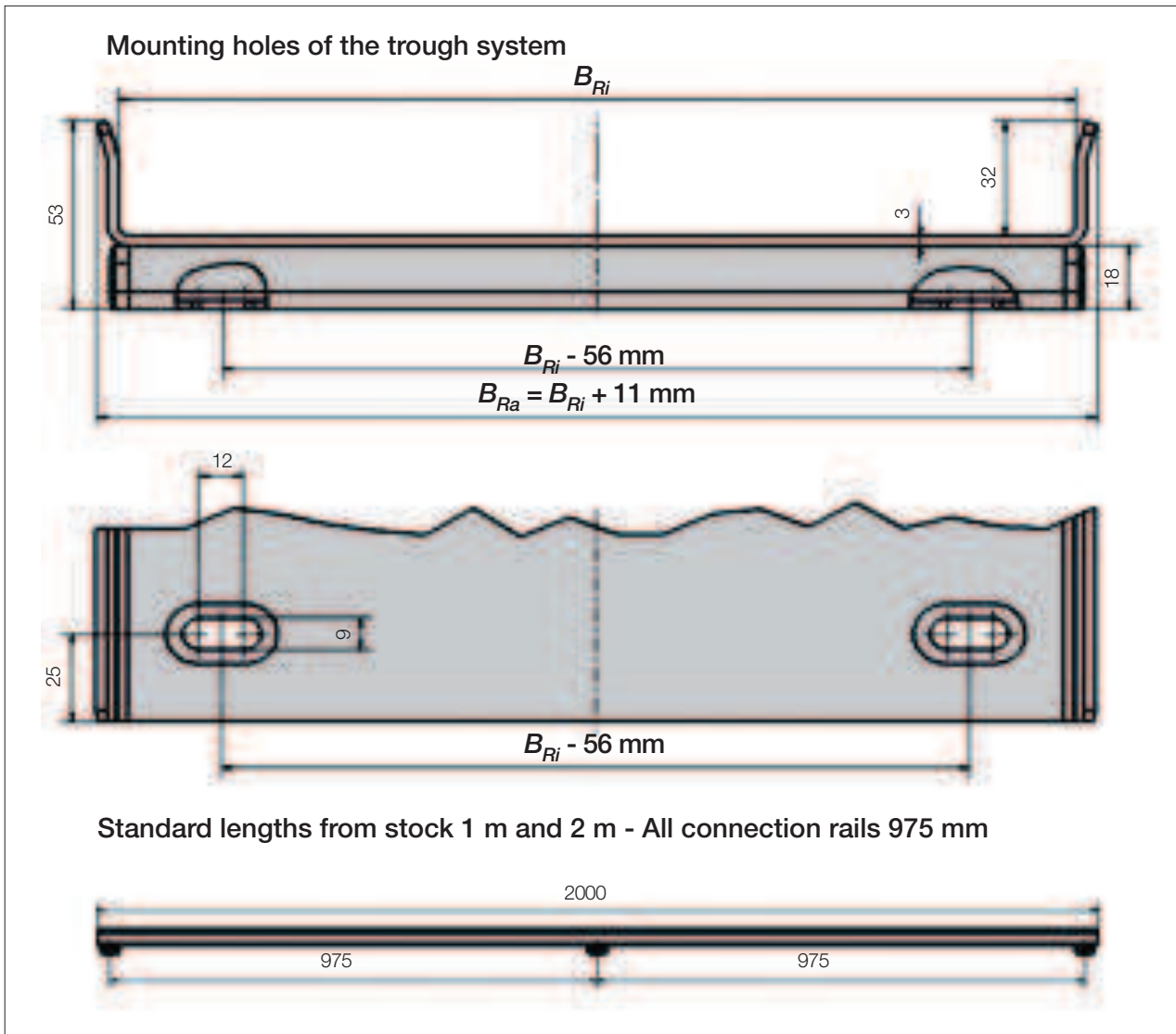
System	Suitable for the following series ▼	Widths-index	B_{Ra} [mm]	B_{Ri} [mm]	Part No. Support-tray, single	Part No. Support-tray with bracket	Part No. single bracket
E4.1	E4.42/H4.42/R4.42	.10	167	156	S9.020.10. XXXX .0	S9.021.10. XXXX .0	907.724.10
E4.1	E4.56/H4.56/R4.56	.15	217	206	S9.020.15. XXXX .0	S9.021.15. XXXX .0	907.724.15
E4.1	E4.80/H4.80/R4.80	.20	267	256	S9.020.20. XXXX .0	S9.021.20. XXXX .0	907.724.20
E4/00	380/390/R780	.25	317	306	S9.020.25. XXXX .0	S9.021.25. XXXX .0	907.724.25
E4/00	400/410/R880						
E4/4	3838/3938/R7838						
E4/4	4040/4140/R8840						
E4/4	5050/5150/R9850						
E4/light	14040/14140/R18840						
E4/light	14240/14340						
E4/light	15050/15150/R19850						
E6	E6.62						
E6	E6.80						
E4/00	3400/3450/3480/3500	.100	167	156	S9.020.10. XXXX .0	S9.021.10. XXXX .0	907.724.10
E6	E6.52/R6.52	.150	217	206	S9.020.15. XXXX .0	S9.021.15. XXXX .0	907.724.15
		.200	267	256	S9.020.20. XXXX .0	S9.021.20. XXXX .0	907.724.20
		.250	317	306	S9.020.25. XXXX .0	S9.021.25. XXXX .0	907.724.25

Please replace XXXX by the standard lengths 1000 or 2000 mm available from stock!

Accessories - optional bracket



Bracket for easy mounting on your application (see table above for Part No.)



S9.	020.	20.	1000.	0
-----	------	-----	-------	---



Part No. structure
1000 mm

- Color, powdered black
- Length 1000 mm
- E-Chain®- width
- without bracket
- Support tray

S9.	021.	20.	2000.	0
-----	------	-----	-------	---



Part No. structure
2000 mm

- Color, powdered black
- Length 2000 mm
- E-Chain®- width
- with bracket
- Support tray

