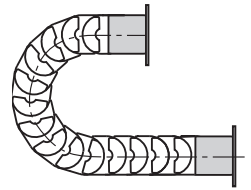


### Flange mounting brackets made of steel

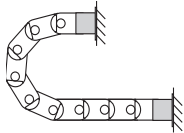
- Metallic flange brackets with popular hole patterns, easily be replaced by their modern successors, without having to alter the hole pattern
- Bolted connection outside of chain cross-section possible
- Universal mountable with attachment capability on all sides
- Steel, galvanized
- One-piece mounting bracket
- High stability

Moving end (outer link)  
906.461.X



906.461.X

Fixed end (inner link)



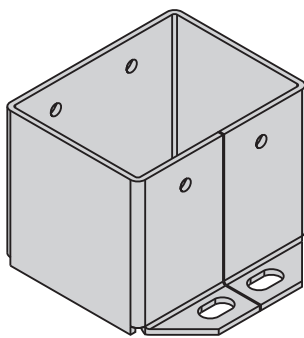
Flush mounting possibilities at both ends of the E-Tube

### Dimensions and order configurations

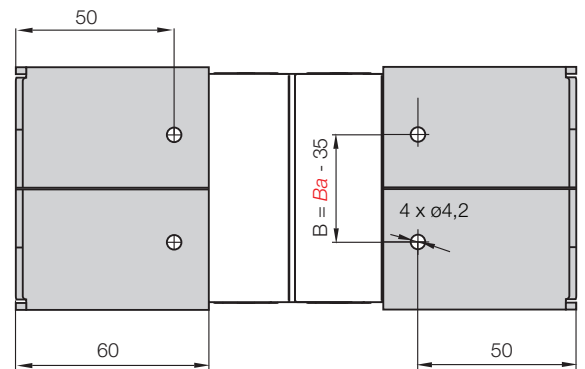
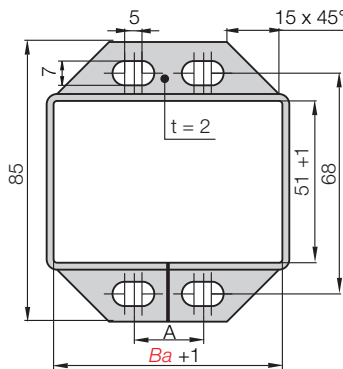
Hole patterns flange steel mounting brackets 906.461.X

906.461.X  
Moving end

906.461.X  
Fixed end



Principle sketch flange steel mounting brackets



For Series	Hole pattern	Part No. full set	Bi [mm]	Ba [mm]	Dim. A [mm]	Dim. B [mm]
157-158.050	▶ 58.05	906.461.1	50	66	20	31
157-158.075	▶ 58.1	906.461.2	75	91	30	57



Mounting only with hexagon socket DIN 912 M6 and washer DIN 125, 6,3 mm

Phone +49- (0) 22 03-96 49-800  
Fax +49- (0) 22 03-96 49-222

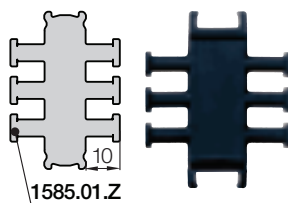
igus® GmbH  
51147 Cologne

Internet: [www.igus.eu](http://www.igus.eu)  
E-mail: [info@igus.de](mailto:info@igus.de)

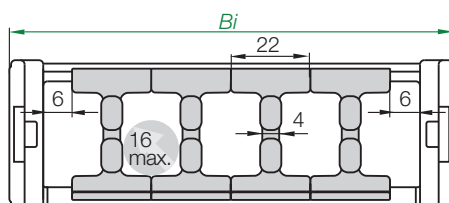
## R100 | Series R157·R158 | Accessories | Strain Relief

### Strain relief separator

Separator with integrated strain relief, for use in the first or last chain link. For manufacturing of switchgear cabinets or for the assembly of machines. Easy to assemble without any fastening device. Separator base 1585.01.Z is 22 mm wide. The possible number of separators per E-Chain® is defined by its inner width  $B_i$  and by the cable-diameter. **Details ▶ chapter 10**



Part No.	Number of teeth	For Series
1585.01.Z	3 both sides	R157/158 E-Tube



**Strain Relief Separator** - The number of separators is depending on the cables and the available inner space. Example: E-Chain® inner width  $B_i$  100 mm: 4 Strain Relief Separator, max. cable diameter 16 mm.

**Details ▶ chapter 10**



Other strain relief elements  
▶ chapter 10