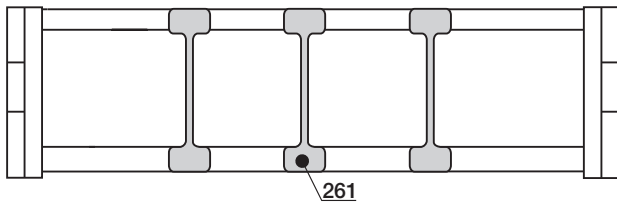
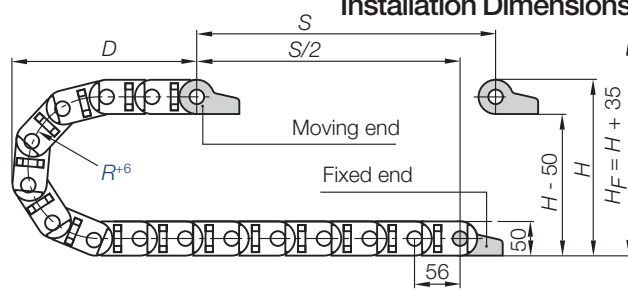


Pitch = 56 mm    Links per m = 18    Chain length =  $S/2 + K$

R	063	075	100	125	150	175	200	250
H <sup>+4</sup>	180	200	250	300	350	400	450	550
D	140	150	175	200	225	250	275	325
K	335	375	475	550	650	750	825	925

The required clearance height is  $H_F = H + 35$  mm (with 2,0 kg/m fill weight). Please consult igus® if space is particularly restricted.

### Installation Dimensions



Vertical separator	
unassembled	260
assembled	261



### Interior Separation

Full program ▶ page 5.118

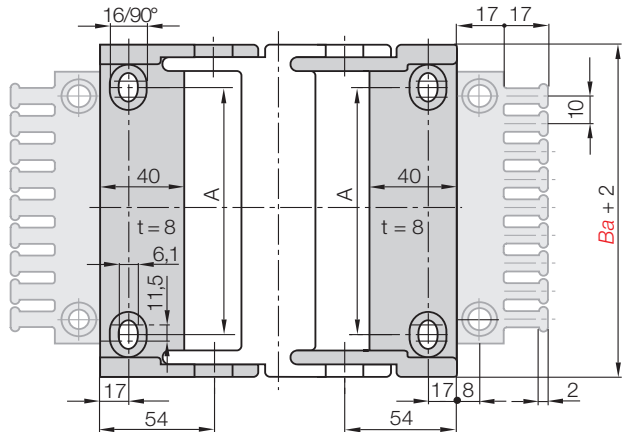


26...3.PZ(B)

Moving end

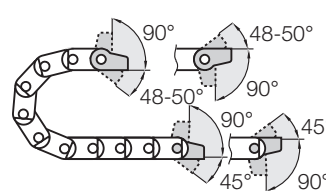
26...4.PZ(B)

Fixed end



Moving end (with bore)

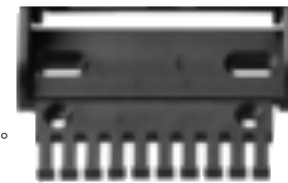
26...3.PZ(B)



26...4.PZ(B)

Fixed end (with pin)

### Mounting Brackets



Polymer pivoting, with or without strain relief tiwrap plates

For E-Chain®	Part No. full set with tiwrap plate	Part No. with tiwrap plate + 10 cable tiwraps	Part No. full set without tiwrap plate	Dimension A [mm]
26/27/27i.05. ▶	2605.34.PZB	2605.34.PZBK1	2605.34.PZ	30
26/27/27i.07. ▶	2607.34.PZB	2607.34.PZBK1	2607.34.PZ	55
26/27/27i.10. ▶	2610.34.PZB	2610.34.PZBK1	2610.34.PZ	80
26/27/27i.12. ▶	2612.34.PZB	2612.34.PZBK1	2612.34.PZ	105
26/27/27i.15. ▶	2615.34.PZB	2615.34.PZBK1	2615.34.PZ	130
26/27/27i.17. ▶	2617.34.PZB	2617.34.PZBK1	2617.34.PZ	155
26/27/27i.20. ▶	2620.34.PZB	2620.34.PZBK1	2620.34.PZ	180

Tiwrap plates are possible at the moving end and/or the fixed end!

Part No. structure

2605.34.PZ B



Full set with tiwrap plate  
Full set without tiwrap plate

Full set, for both ends:

2605. 34. PZB (+ tiwrap plates)

Single-part order:

2605. 3. PZB (+ tiwrap plates)

Mounting bracket with bore

2605. 4. PZB (+ tiwrap plates)

Mounting bracket with pin



Interior separation with full-width shelves and shelves possible

Polymer mounting bracket, locking

KMA mounting bracket available with C-profile

### Additional Features

For more features ▶ see link below



E2 medium classic  
Inner height: 35 mm

Phone +49- (0) 22 03-96 49-800  
Fax +49- (0) 22 03-96 49-222



▶ chapter 10



▶ chapter 9