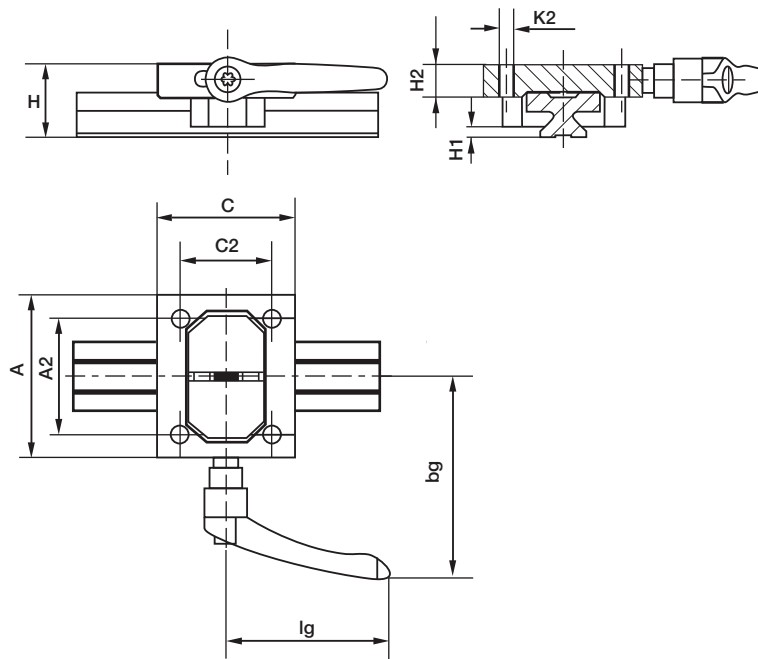


**DryLin® T hand clamp for the DryLin® T linear guide series size 25**

- Clamping of high loads, holding strength 500 N per clamp
- Brass clamp elements
- Location bores as TW-01-25
- Removable handle



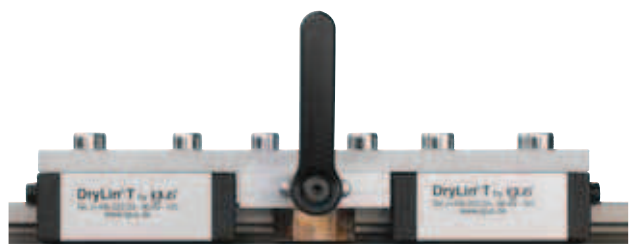
**DryLin® T Guide Rails for TWBM**

Part No.	Weight	L	a	C4	C5	C5	C6	C6	h	h1	K1 for Screw	b	ly	lz	Wby	Wbz
	[kg/m]	Max. [mm]	-0,2 [mm]	Min. [mm]	Max. [mm]	Min. [mm]	Max. [mm]	Min. [mm]	Max. [mm]		DIN 912 [mm]	[mm]	[mm <sup>4</sup> ]	[mm <sup>4</sup> ]	[mm <sup>3</sup> ]	[mm <sup>3</sup> ]
TS-01-25	1,3	4000	23	60	20	49	20	49	21,5	13,8	M 6	34	34700	19300	2041	1608

Order example: TS-01-25, 2000 for a guide rail TS-01-25 of 2 m length  
 For rails without mounting holes, please use part number suffix "without mounting hole"

**DryLin® T Guide Carriages with Manual Clamping**

Part No.	A	A2	H	H1	H2	K2	C	C2	lg	bg
	[mm]	[mm]	[mm]	[mm]	[mm]		[mm]	[mm]	[mm]	[mm]
TWBM-01-25	80	57	36	5	16	M8	68	45	80	99



DryLin® TWBM manual clamping, mounted with two DryLin® T carriages

DryLin® T

Phone +49 - 22 03 - 96 49-145  
 Fax +49 - 22 03 - 96 49-334

