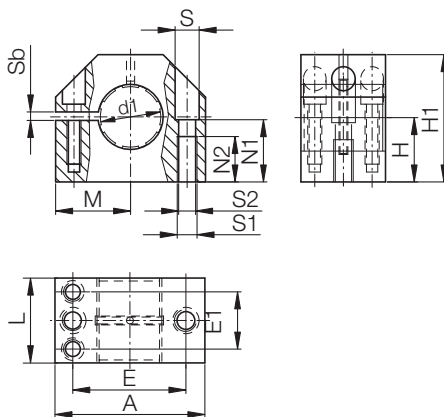
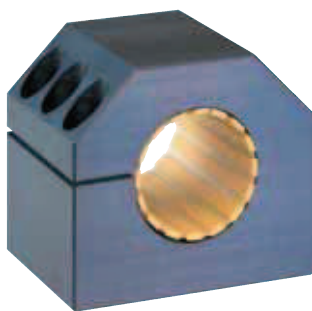




DryLin® R | Pillow Block RJUME-05 | mm



Structure – part no.
RJUME-05-12



- Diameter
- P. block short
- Adjustable
- Metric
- Liner
- iglidur® J
- Closed



mm

DryLin® R

Phone +49 - 22 03 - 96 49-145
Fax +49 - 22 03 - 96 49-334

igus® GmbH
51147 Cologne

Internet www.igus.de
E-mail info@igus.de

64.24

Special properties

- Adjustable, anodized aluminium housing, short design
- Liner JUM-02 made of iglidur® J
- With adjustable clearance for shaft diameters 12 to 50 mm
- Recommended tolerance for the shaft: h6-h10 (see igus® shafts ► **chapter 65**)
- Also available with following liners:
 - XUM-02: for high temperatures, material iglidur® X – Example: RXUME-05-16
 - JUM-12: with reduced maximum clearance, material iglidur® J – Example: RJUME-15-16

* According to igus® testing method

► **Page 64.37**

Available from stock

Inner Diameter, Load Capacity and Weight

Part No.	Shaft Ø [mm]	Tolerance Bearing Inner Diameter [mm]	pmax. [N]		Weight [g]
			Dynamic Load P = 5 MPa	Static Load P = 35 MPa	
RJUME-05-12	12	adjustable	840	5880	78
RJUME-05-16	16	adjustable	1200	8400	106
RJUME-05-20	20	adjustable	1500	10500	132
RJUME-05-25	25	adjustable	2500	17500	253
RJUME-05-30	30	adjustable	3750	26250	374
RJUME-05-40	40	adjustable	6000	42000	713
RJUME-05-50	50	adjustable	8750	61250	1168

Dimensions [mm]

Part No.	d1	H	H1	A	M	E	E1	S	S1	S2	Sb	N1	N2	L
	[mm]	[mm]	[mm]	[mm]	[mm]	[mm]	[mm]	[mm]	[mm]	[mm]	[mm]	[mm]	[mm]	[mm]
		+0,01				±0,15	±0,15							
		-0,014												
RJUME-05-12	12	17	33	40	20,0	29	18,0	8,0	4,3	M 5	2	16	11	28
RJUME-05-16	16	19	38	45	22,5	34	19,0	8,0	4,3	M 5	2	18	11	30
RJUME-05-20	20	23	45	53	26,5	40	20,0	9,5	5,3	M 6	2	22	13	30
RJUME-05-25	25	27	54	62	31,0	48	25,5	11,0	6,6	M 8	2	26	18	40
RJUME-05-30	30	30	60	67	33,5	53	30,5	11,0	6,6	M 8	2	29	18	50
RJUME-05-40	40	39	76	87	43,5	69	36,0	15,0	8,4	M10	2	38	22	60
RJUME-05-50	50	47	92	103	51,5	82	44,0	18,0	10,5	M12	2	46	26	70