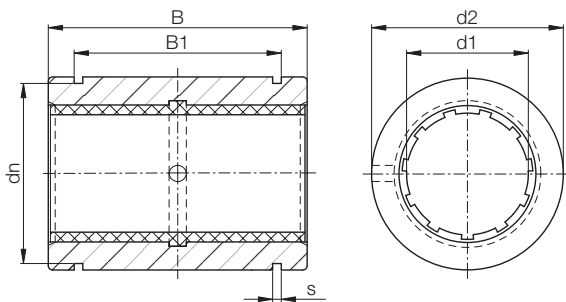




DryLin® R | Liner Plain Bearing RJUM-01 | Stainless Steel | mm



Structure – part no.
R J U M - 01-12-ES



- Stainless Steel
- Diameter
- Standard
- Metric
- Liner
- iglidur® J
- Closed

mm

DryLin® R

Special properties

- Closed stainless steel housing 1.4305
- Dimension equivalent to the standard for recirculating ball bearings
- Fitted with JUM-01 liner made of iglidur® J (Standard)
- Recommended housing bore H7
- Recommended tolerance for the shaft: h6-h10 (see igus® shafts ► **chapter 65**)
- Secured by DIN 471 or 472 circlips (not included in delivery)
- Also available with following liners:
 - XUM-01: for high temperatures, material iglidur® X – Example: RXUM-01-16-ES
 - JUM-11: with reduced maximum bearing clearance material iglidur® J – Example: RJUM-11-16-ES

* According to igus® testing method

► **Page 64.37**

Available from stock



Phone +49 - 22 03 - 96 49-145
Fax +49 - 22 03 - 96 49-334

igus® GmbH
51147 Cologne

Inner Diameter, Load Capacity and Weight

Part No.	Shaft Ø [mm]	Tolerance* Bearing Inner Diameter [mm]	pmax. [N]	pmax. [N]	Weight [g]
			Dynamic Load P = 5 MPa	Static Load P = 35 MPa	
RJUM-01-12-ES	12	0,030 - 0,088	960	6720	60
RJUM-01-16-ES	16	0,030 - 0,088	1440	10080	84
RJUM-01-20-ES	20	0,030 - 0,091	2250	15750	147
RJUM-01-25-ES	25	0,030 - 0,091	3625	25375	324
RJUM-01-30-ES	30	0,040 - 0,110	5100	35700	486

Dimensions [mm]

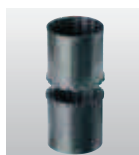
Part No.	d1 [mm]	d2 [mm]	B		s [mm]	dn [mm]
			h7	h10		
RJUM-01-12-ES	12	22	32	22,6	1,30	20,5
RJUM-01-16-ES	16	26	36	24,6	1,30	24,2
RJUM-01-20-ES	20	32	45	31,2	1,60	29,6
RJUM-01-25-ES	25	40	58	43,7	1,85	36,5
RJUM-01-30-ES	30	47	68	51,7	1,85	43,5

DryLin® W – linear guide system made completely from stainless steel



► **Page 63.10**

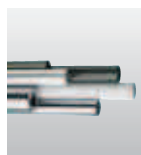
Plain bearings of series RJUM-01 can be combined with:



XUM-01:
► P. 64.12



JUM-11:
► P. 64.11



shafts:
► Chapter 65

Internet www.igus.de
E-mail info@igus.de

64.16

Lifetime calculation, CAD files and much more support ► www.igus.de/en/DryLinR