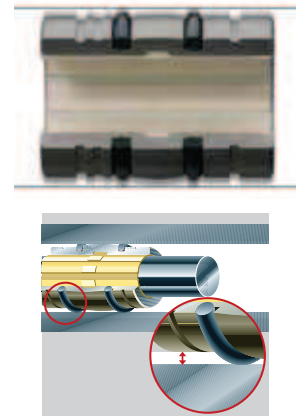
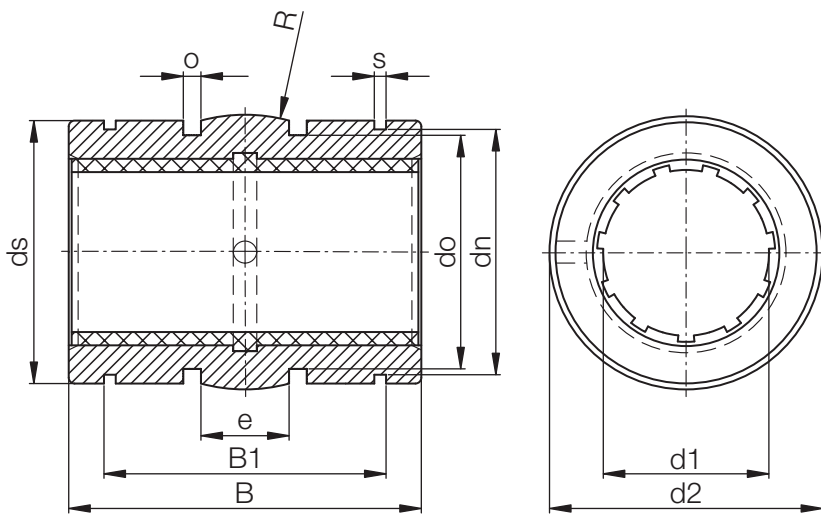




Special properties:

- Dimensions to the imperial standard
 - closed aluminium housing with reduced outer diameter; spherical area on the outer diameter for self aligning
 - O-rings for elastic seating
 - Hard anodized
- Dimensions equivalent to standard recirculating ball bearings
- Equipped with JUI-01 liner
- Recommended housing bore H7
- Recommended tolerance for the shaft: h6 - h10
- Secured by circlips (not included in delivery)



Dimensions [Inch]

Part No.	Ø Shaft [inch]	Tolerance** [inch]	d2 [inch]	B [inch]	B1 [inch]	s [inch]	dn [inch]	ds [inch]	do [inch]	o [inch]	e [inch]
			h8	h10	h10	H10	h10	h10	h10	-0,004	
RJZI-03-04*	1/4	0,0016-0,0032	,4921	,7460	,5270	,0410	,4660	,4803	,3990	,0800	,1250
RJUI-03-06	3/8	0,0016-0,0032	,6173	,8713	,6520	,0410	,5870	,6055	,5240	,0610	,2430
RJUI-03-08	1/2	0,0016-0,0032	,8673	1,2461	,9870	,0520	,8200	,8556	,7120	,1250	,2815
RJUI-03-10	5/8	0,0016-0,0032	1,1173	1,4961	1,1360	,0620	1,0600	1,1055	,9620	,1250	,3125
RJUI-03-12	3/4	0,0016-0,0032	1,2421	1,6173	1,1980	,0620	1,1770	1,2300	1,0870	,1250	,3125
RJUI-03-16	1	0,0016-0,0032	1,5547	2,2421	1,7890	,0740	1,4710	1,5271	1,3990	,1250	,5000
RJUI-03-20	1-1/4	0,0020-0,0041	1,9881	2,6173	2,0390	,0740	1,8890	1,9606	1,8370	,1250	,6250
RJUI-03-24	1-1/2	0,0020-0,0041	2,3634	2,9921	2,4630	,0950	2,2410	2,3358	2,1520	,1620	,7500
RJUI-03-32	2	0,0024-0,0051	2,9881	3,9921	3,2490	,1110	2,8390	2,9606	2,7750	,1890	1,0000

* Nominal diameters under 3/8 inches are delivered with pressfit sleeve bearings

** According to igus® testing method ► Page 64.37

DryLin® R

Inch

Phone +49 - 22 03 - 96 49-145
Fax +49 - 22 03 - 96 49-334

