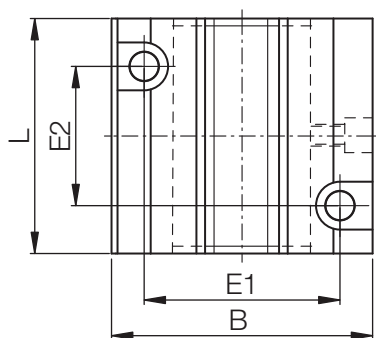
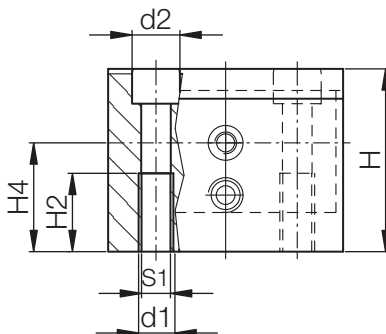
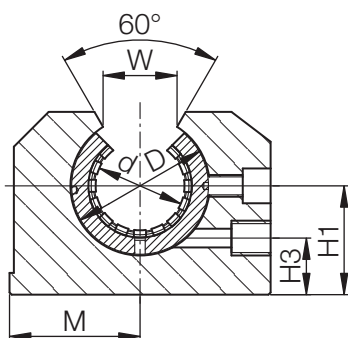


**Special properties**

- Housing: aluminium
- Equipped with DryLin® linear plain bearings OJUM-01-ø or OJUM-03-ø
- Can be combined with DryLin® R housing bearing OJUM-06-ø
- The bearing of the housing is secured using set screws
- Recommended tolerance for the shaft: h6 - h10 (see igus® supported shafts p. 64.46)
- Available from stock



**Dimensions [mm]**

Part No.	Self-aligning	d	D	H	H1	H2	H3	H4	S1	B	L	M	E1	E2	d1	d2	W
Standard	with	[mm]	[mm]	[mm]	[mm]	[mm]	[mm]	[mm]	[mm]	[mm]	[mm]	[mm]	[mm]	[mm]	[mm]	[mm]	[mm]
with	OJUM-01	H6			+0,01					+0,3	±0,3	±0,02	±0,15				+0,6
OJUM-03					-0,02												
<b>OGA-01-12</b>	<b>OGA-03-12</b>	12	22	28	18	11	8	25	M 5	43	39	21,5	32	23	4,2	8	14
<b>OGA-01-16</b>	<b>OGA-03-16</b>	16	26	35	22	13	12	30	M 6	53	43	26,5	40	26	5,2	10	17
<b>OGA-01-20</b>	<b>OGA-03-20</b>	20	32	42	25	18	13	34	M 8	60	54	30,0	45	32	6,8	11	17
<b>OGA-01-25</b>	<b>OGA-03-25</b>	25	40	51	30	22	15	40	M10	78	67	39,0	60	40	8,6	15	21
<b>OGA-01-30</b>	<b>OGA-03-30</b>	30	47	60	35	22	16	48	M10	87	79	43,5	68	45	8,6	15	21
<b>OGA-01-40</b>	<b>OGA-03-40</b>	40	62	77	45	26	20	60	M12	108	91	54,0	86	58	10,3	18	27

DryLin® R

mm

Phone +49 - 22 03 - 96 49-145

Fax +49 - 22 03 - 96 49-334

