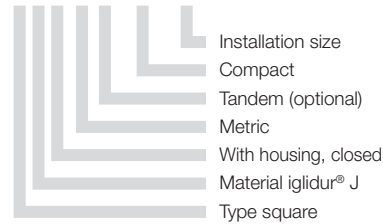


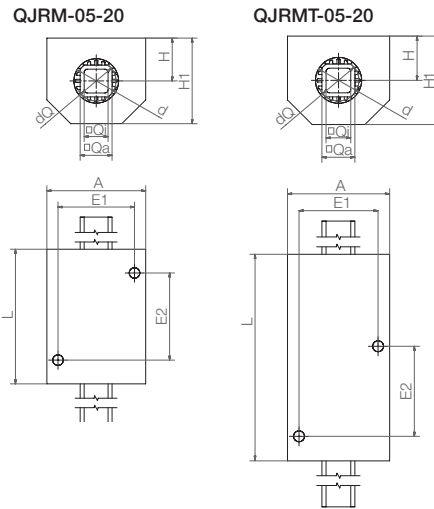
Q20 pillow block



Order key
QJRM-05-20



- Closed anodized aluminum housing
- Short or tandem types
- Torque resistant without 2nd guidance
- Unsupported installation
- Tolerates moments up to 10 Nm (Size 20)
- Lubricant free
- Fits to square profile AWMQ-20 ► [page 1113](#)



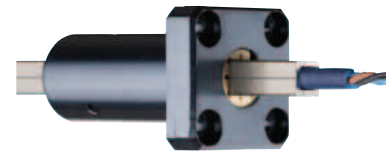
Dimensions [mm]

Part number	Weight [kg]	A	H	H1	dQ	Qa	Qi	E1	E2	d	L
QJRM-05-20	0.55	62	27 ±0.02	54	25	20	15	48 ±0.15	55 ±0.15	28	85
QJRM-05-20	0.25	62	27	54	25	20	15	48	-	28	40

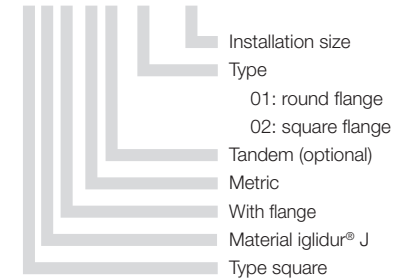
delivery time from stock

prices price list online www.igus.eu/eu/QJRM

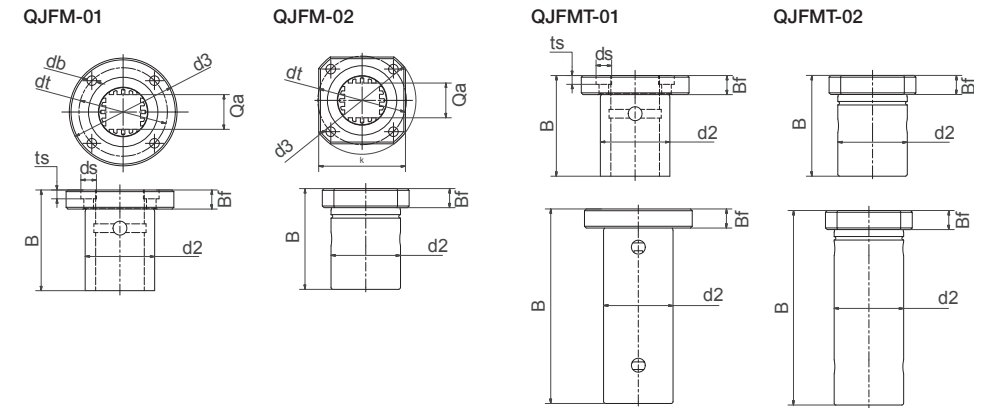
Flange pillow block



Order key
QJFMT-02-20



- Flange pillow block made of anodized aluminum
- Round flange (01 version), square flange (02 version)
- Standard type or tandem housing
- Torque resistant without 2nd guidance
- Unsupported installation
- Tolerates moments up to 3 Nm (Size 10) and up to 10 Nm (Size 20)
- Lubricant free
- Fits to square profile AWMQ-10/-20 ► [page 1113](#)



Dimensions [mm]

Part number	Weight [kg]	k	d2	Bf	dQ	Qa	Qi	d3	dt	d	B	db	ds	ts
QJFMT-02-10	0.038	30	19	9	10	7.5	5	39 ±0.15	29 ±0.15	12	52	4.5	7.5	4.1
QJFMT-01-20	0.24	50	40	11	25	20	15	62	51	28	112	5.5	9.0	5.1
QJFMT-02-20	0.24	50	40	11	25	20	15	62	51	28	112	5.5	9.0	5.1
QJFM-02-20	0.14	50	40	11	25	20	15	62	51	28	58	5.5	9.0	5.1

delivery time from stock

prices price list online www.igus.eu/eu/QJFMT