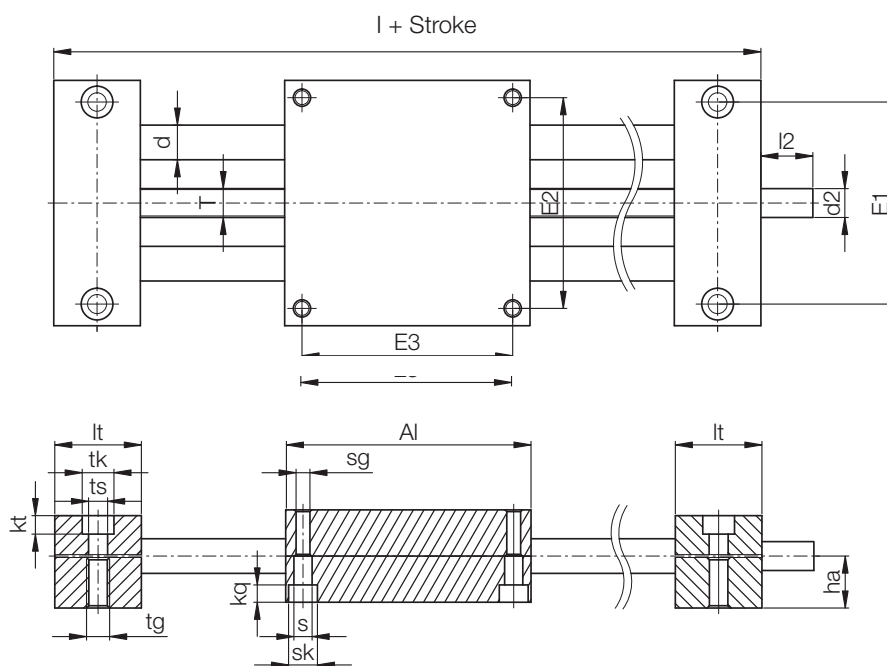
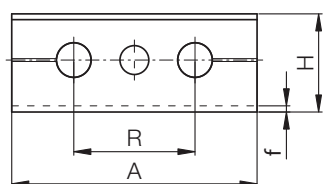


reddot design award  
winner 2006

## Special properties

- High helix pitch leadscrew
- High-speed solution
- Maintenance-free
- Dry running



## Lengths [mm] and Weight

Part No.	Maximum Stroke length [mm]	Aluminium Shaft		Max. static load-bearing capacity	
		Weight [kg]	Additional weight (per 100 mm) [kg]	axial [N]	radial [N]
SHTS-12-AWM	750	0,7	0,1	100	400
SHTS-20-AWM	1000	1,9	0,3	400	1600

## Dimensions [mm]

Part No.	A	Al	H	E1	E2	E3	I	R	f	lt	tk	ts	tg
	-0,3	-0,3		±0,15	±0,15	±0,15				±0,1			
SHTS-12-AWM	85	85	34	70	73	73	145	42	2	30	11	6,6	M8
SHTS-20-AWM	130	130	48	108	115	115	202	72	2	36	15	9,0	M10

Part No.	kt	s	sk	sg	kq	d	T	l2	d2	ha
	±0,1								Standard	
SHTS-12-AWM	6,4	6,3	10	M6	6,0	12	TR10x50	17	TR10x50*	18
SHTS-20-AWM	8,6	6,4	11	M8	7,0	20	TR18x100	26	12 h9	23

\* TR10x50 supplied with leadscrew end unmachined

DryLin® SHT  
mm

Phone +49 - 22 03 - 96 49-145  
Fax +49 - 22 03 - 96 49-334



Order example:

More details on part no. options: ► Page 66.2

