

# HALFEN HSC STUD CONNECTOR

## TECHNICAL PRODUCT INFORMATION



HALFEN HSC STUD CONNECTOR

HSC 16-E

CONCRETE



**HALFEN**  
YOUR BEST CONNECTIONS

## HALFEN HSC Stud Connector

### Highly effective reinforcement anchor

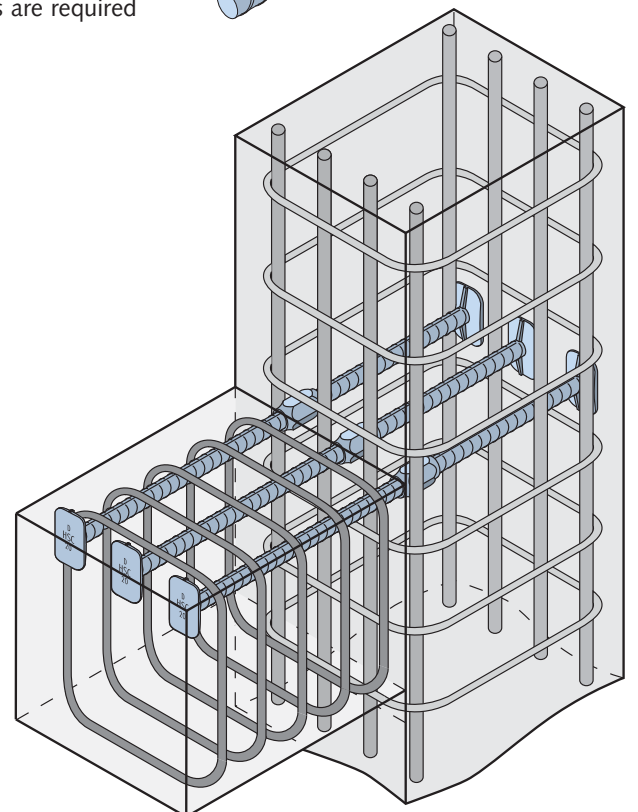
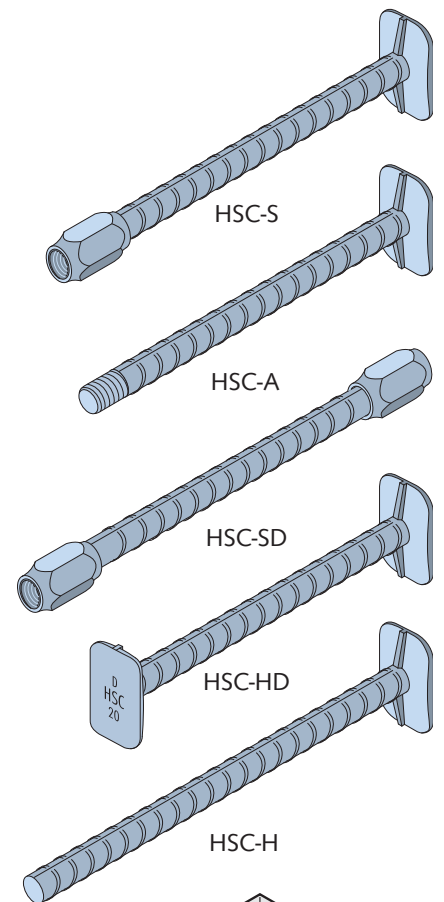
The HALFEN HSC Stud Connector is an officially approved reinforcement anchor, optimised for anchorage in concrete. Full reinforcement anchorage can be achieved with minimum transmission lengths.

The HALFEN HSC Stud connector is especially suitable for use in highly reinforced areas such as corbels and beam to column connections.

The problems that occur in the layout of reinforcement and distribution of forces with conventional rebar solutions do not apply. The amount of reinforcement steel is considerably reduced and the reinforcement layout is simpler. Apart from saving costs and time a substantial advantage is the increased reliability of the connection.

### The advantages at a glance

- innovative anchor head
- reduction of intricate bent reinforcement by using straight anchor bars
- forged anchor head results in extremely short anchorage length
- effective anchorage reduces quantity of reinforcement steel
- time-effective installation and increased application safety thanks to simplified reinforcement
- extensive product range means high design flexibility
- safety in planning with German National Technical Approval, according to European standard Eurocode 2
- screw joints between concreting sections means no cost-intensive formwork penetrations are required



Corbel with HALFEN HSC Stud Connector

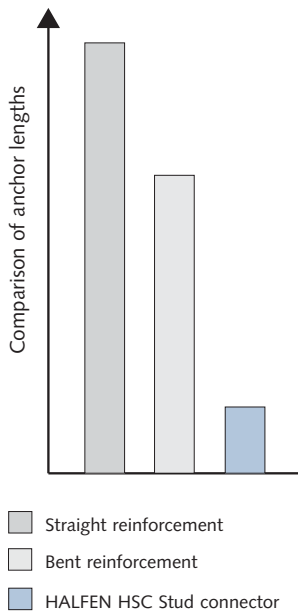


National Technical Approval Z-21.8-1973 for HALFEN HSC Stud connector  
National Technical Approval Z-1.5-189 for HALFEN HBS-05 Screw connection

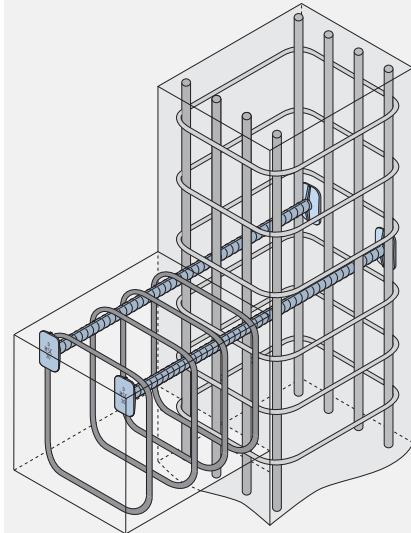
# HALFEN HSC STUD CONNECTOR

## General

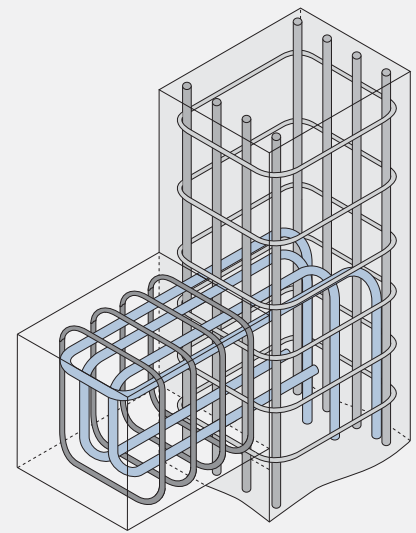
### Extremely short anchorage lengths



### Simple reinforcement layout

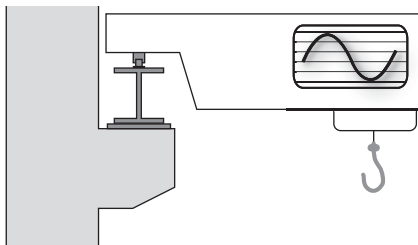


Corbel with HALFEN HSC Stud connector: secure anchorage, simple reinforcement layout



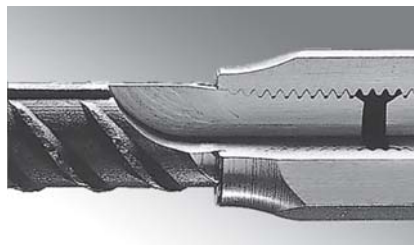
Conventional corbel reinforcement with large bending diameters, high steel usage and complicated reinforcement

### Advantages in planning and design



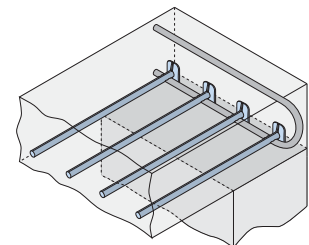
- approval for predominantly static and non-predominantly static loading cases
- HALFEN provides free easy-to-use corbel dimensioning software
- HALFEN provides a complimentary consultation service for customer's projects
- head to head and multiple-layered placement of anchor heads allow a high degree of reinforcement

### Flexible and economical



- combination with HALFEN HBS-05 Screw connections provides a wide range of applications
- column and corbel reinforcement stirrups can be positioned separately – and do not have to span the joint
- fitting with standard size spanners or wrenches
  - no special tools required
  - high reliability
  - visual monitoring is sufficient
- conical thread minimized screw slippage

### Wide application range



- corbels
- frame corners
- beam supports
- slab supports
- half joints

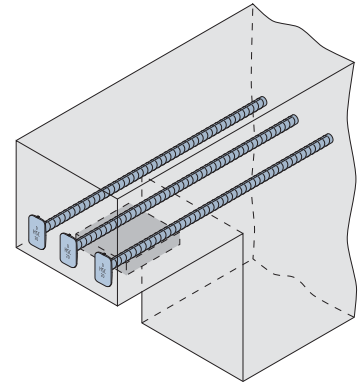
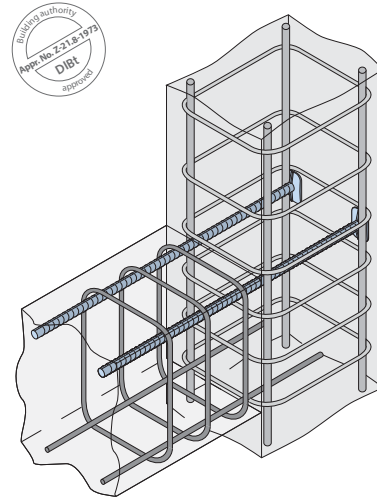
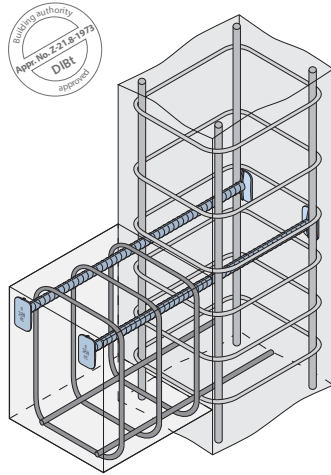
# HALFEN HSC STUD CONNECTOR

## Application Examples

Corbels → page 7 - 10

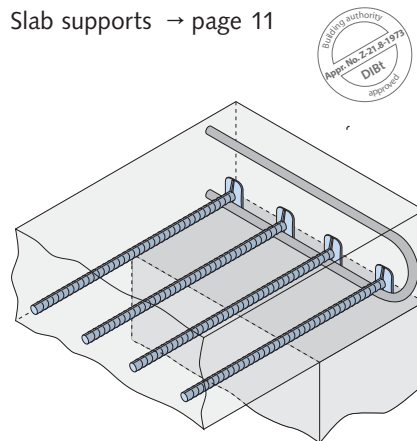
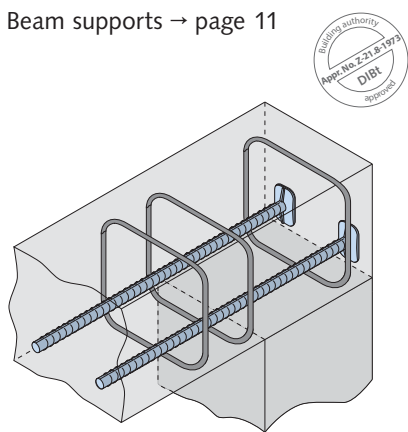
Frame corners → page 6

Half joints

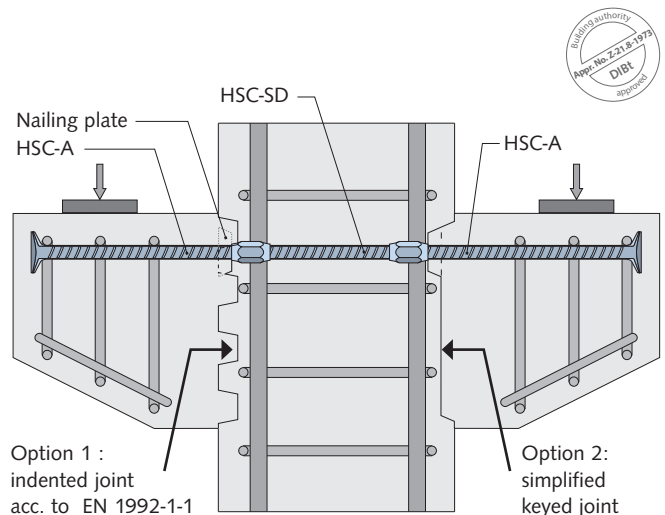
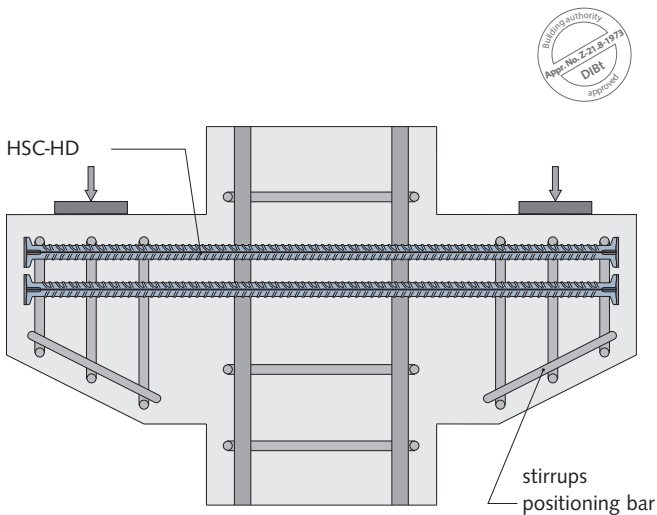


Beam supports → page 11

Slab supports → page 11



### Examples of corbel application



Corbel with multilayer reinforcement in monolithic element → page 16

Corbel with single layer reinforcement used in concrete sections → page 16

# HALFEN HSC STUD CONNECTOR

## Design and Dimensioning, Basics

### Application according to approval Z-21.8-1973

#### Materials

- normal concrete, strength classes C20/25 up to C70/85
- HSC: B500B, for  $d_{HSC} = 12$  mm alternative stainless steel B500NR

#### Stresses and resistances

- predominantly static and non-predominantly static loads
- yield strength

$$f_{yd} = \frac{f_{yk}}{\gamma_s} = \frac{500 \text{ N/mm}^2}{1.15} = 435 \text{ N/mm}^2$$

Fatigue resistance values of HSC Stud connectors:

- stress ranges for  $N = 2 \cdot 10^6$  :  
 $\Delta\sigma_{RSK} = 80 \text{ N/mm}^2$  for  $d_{HSC} = 12$  mm,  
 $d_{HSC} = 16$  mm and  $d_{HSC} = 20$  mm  
 $\Delta\sigma_{RSK} = 70 \text{ N/mm}^2$  for  $d_{HSC} = 25$  mm
- Wöhlerline stress exponents:  
 $k_1 = 3.5$  for  $N \leq 2 \cdot 10^6$   
 $k_1 = 3$  for  $2 \cdot 10^6 \leq N \leq 10^7$   
 $k_2 = 5$

#### Design concepts and regulations according to the approval

- design and dimensioning of frame end nodes, corbels, beams and slabs
- simplified anchor verification method by observing the construction regulations
- standardized regulations for multilayer HSC reinforcement anchors and for staggered HSC
- shear joints for subsequently cast concrete sections
- conventional positioning of stirrup reinforcement, or alternatively: separate stirrup arrangement in column and corbel

### Installation fundamentals

#### Placement of anchor heads

Anchor heads may be aligned vertically or horizontally as required.

#### Spacing of bars

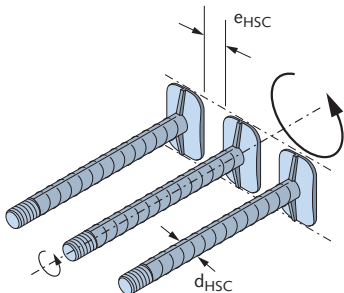
HSC anchors require the same bar spacing as standard reinforcement bars.

When used in several concrete sections the minimum distances  $a_{HSC}$  resp.  $e_{HSC}$  must be observed to ensure the male bars can be securely installed. See figures and table below.

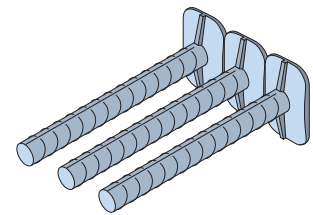
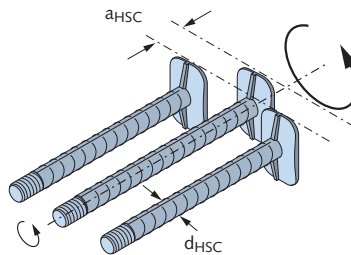
Minimum head spacings to ensure male bars can be installed and tightened (HSC connection bars)

$d_{HSC}$ [mm]	$e_{HSC}$ [mm]	$a_{HSC}$ [mm]
12	10	15
16	20	20
20	20	25
25	25	30

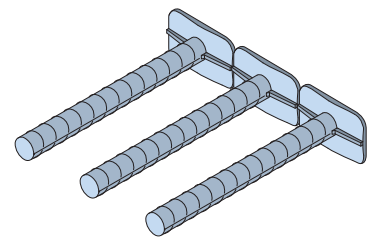
Option 1: anchor heads in alignment



Option 2: reduced spacings with staggered anchor head layout



Vertical anchor head layout



Horizontal anchor head layout



Detailed information on installation can be found in the "HALFEN HSC Stud Connector" assembly instructions.

### TECHNICAL SUPPORT

#### HALFEN Technical Support

Engineering services and technical advice for your projects is available.

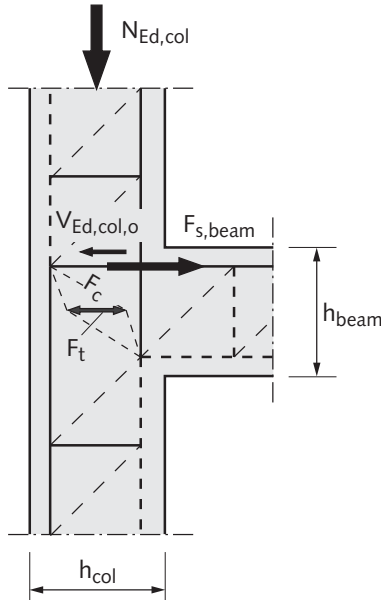
Contact addresses for all HALFEN Products can be found at the back of this catalogue.

# HALFEN HSC STUD CONNECTOR

## Design and Dimensioning of Frame Corners, Construction Specifications

### Frame corner according to approval Z-21.8-1973

Figure 1: Strut and tie model



HALFEN HSC Stud connectors in this application are calculated using the same basic method as for conventional reinforcement. The calculation method is set out in brief below. Always observe the National Technical Approval.

#### Design and dimensioning of the column

Minimal column dimensions are according to the approval: see table "minimum column dimensions acc. to Z-21.8-1973" on page 7.

Longitudinal reinforcement ratio:

$$\rho_{col} = \frac{A_{s1,col}}{b_{col} \cdot h_{col}} = \frac{A_{s2,col}}{b_{col} \cdot h_{col}} \geq 0.5 \%$$

The sum of longitudinal reinforcement's compressive and tensile forces has to be anchored inside the frame corner joint, relevance for transmission length  $l_b$  is:

$$l_b = \frac{|T| + |C_s|}{f_b \cdot n \cdot U} \leq h_{beam}$$

where  $f_b$  = bond stress acc. to DIN EN 1992-1-1, chapter 8.4.2.

For non-braced frame corner constructions the column reinforcement at the joint cross sections have to be generally increased by  $\frac{1}{3}$  compared to the bending dimensioning values. This additional reinforcement has to be anchored starting from the columns cross sections; compare to DAfStb "German Committee for Structural Concrete" publication no. 532.

#### Design and dimensioning of the beam

Origin of the beam bending dimensioning is at a distance of  $0.3 h_{col}$  from the column's central axis. The anchor heads have to be positioned behind the longitudinal column reinforcement. Observe the National Technical Approval to verify the anchor.

#### Stirrup reinforcement

Beam and column have to be reinforced with stirrups in areas defined as  $h_{col}$  resp.  $h_{beam}$ , measured from the joint cross sections, with a maximum spacing of  $s = 10$  cm. See figure 2 below: "minimal stirrup reinforcement".

#### Shear resistance

Applied shear force  $V_{jh}$ :

$$V_{jh} = A_{s,HSC} \cdot f_{yd} - V_{Ed,col,o}$$

$$\text{Limitation of the shear force } V_{jh} \text{ to } V_{jh} \leq \begin{cases} V_{j,Rd} \\ V_{j,Rd,max} \end{cases}$$

Node resistance  $V_{j,cd}$  **without** stirrups [N]:

$$V_{j,cd} = 1.55 \cdot \left( 1.2 - 0.3 \cdot \frac{h_{beam}}{h_{col}} \right) \cdot \left( 1 + \frac{\rho_{col} - 0.5}{7.5} \right) \cdot b_{eff} \cdot h_{col} \cdot \left( \frac{f_{ck}}{\gamma_c} \right)^{\frac{1}{4}}$$

$$\text{with: } 1.0 \leq \frac{h_{beam}}{h_{col}} \leq 2.0 \quad 0.5\% \leq \rho_{col} \leq 2.0\%$$

$$b_{eff} = \frac{b_{beam} + b_{col}}{2} \leq b_{col}$$

$b_{eff}$ ,  $h_{col}$  ... effective width, height of column cross section in [mm];  $f_{ck}$  in [N/mm<sup>2</sup>]

Shear resistance  $V_{j,Rd}$  **with** stirrups:

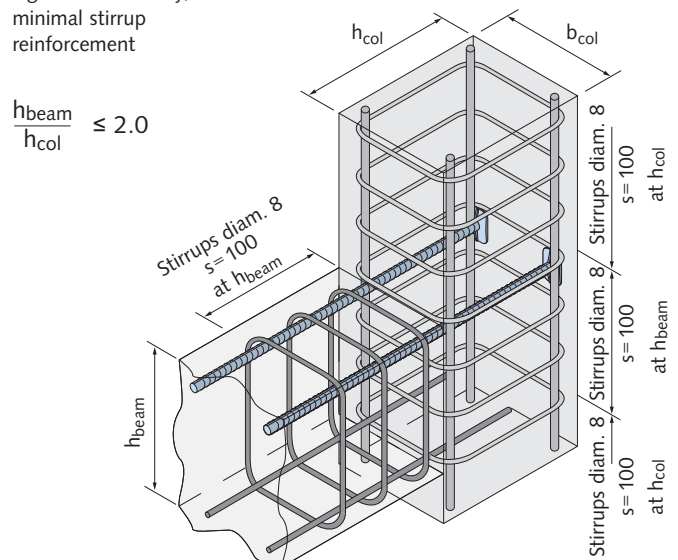
$$V_{j,Rd} = V_{j,cd} + 0.475 \cdot A_{sj,eff} \cdot f_{yd} \leq V_{j,Rd,max}$$

with:  $A_{sj,eff}$  = effective shear reinforcement (aligned between upper edge joint and upper edge compression zone beam)

Maximum node resistance  $V_{j,Rd,max}$ :

$$V_{j,Rd,max} = \gamma_{N1} \cdot \gamma_{N2} \cdot 0.3 \cdot \frac{f_{ck}}{\gamma_c} \cdot b_{eff} \cdot h_{col} \leq 2 \cdot V_{j,cd}$$

Figure 2: Geometry, minimal stirrup reinforcement



# HALFEN HSC STUD CONNECTOR

## Design and Dimensioning of Frame Corners and Corbels, Construction Specifications

with:  $\gamma_{N1} = 1.5 \cdot \left( 1 + 0.8 \cdot \frac{N_{Ed,col}}{A_{c,col} \cdot f_{ck}} \right) \leq 1.0$

$$\gamma_{N2} = 1.9 - 0.6 \cdot \frac{h_{beam}}{h_{col}} \leq 1.0$$

Quasi-permanent normal column force

$$N_{Ed,col} = 1.0 \cdot N_G + 0.3 \cdot \sum N_Q$$

(compression force negative)

### Shear joint

The shear joint has to be verified if the column and beam are concreted in two segments → page 10.

Minimum column dimensions acc. to Z-21.8-1973				
Anchor diameter	Concrete strength class	Column dimensions [mm]		Column longitudinal reinforcement [mm]
d <sub>HSC</sub> [mm]		b <sub>col,min</sub>	h <sub>col,min</sub>	d <sub>s,col,min</sub>
12	C20/25 - C70/85	240	240	12
16	C20/25 - C70/85	240	240	12
20	C20/25 - C35/45	300	300	16
	C40/50 - C70/85	240	240	
25	C20/25	300	400	20
	C25/30 - C30/37	300	350	
	C35/45 - C70/85	300	300	

### Corbels according to approval Z-21.8-1973

HALFEN HSC Stud connectors in this application are calculated using the same basic method as for conventional reinforcement. The calculation method is set out in brief below. Always observe the National Technical Approval.

#### Geometry, actions

short corbels:  $a_c / h_c \leq 0.5$

long corbels:  $0.5 < a_c / h_c < 1.0$

$$V_{Ed} = F_{Ed}$$

$$H_{Ed} \geq 0.2 \cdot F_{Ed} \quad (\text{unless frictional forces resulting from constraint deformation can not be excluded})$$

#### Shear resistance of the corbel

Minimum dimensions of the corbel according to the approval: see table "Constructional Specifications" on page 8.

$$V_{Ed} \leq V_{Rd,max} = 0.5 \cdot v \cdot b_c \cdot z \cdot \frac{f_{ck}}{\gamma_c}$$

with:  $v = 0.7 - \frac{f_{ck}}{200 \text{ N/mm}^2} \geq 0.5$ ;  $z = 0.9 \cdot d$

#### Calculation of tensile force

$$Z_{Ed} = F_{Ed} \cdot \frac{a_c}{z_0} + H_{Ed} \cdot \frac{a_H + z_0}{z_0}$$

with:  $\frac{a_c}{z_0} \geq 0.4$

$$z_0 = d \cdot \left( 1 - 0.4 \cdot \frac{V_{Ed}}{V_{Rd,max}} \right)$$

#### Verifying the required HSC anchor cross section

$$A_{s,HSC} = \frac{Z_{Ed}}{f_{yd}} \quad \text{with: } f_{yd} = \frac{f_{yk}}{\gamma_s} = \frac{500 \text{ N/mm}^2}{1.15} = 435 \text{ N/mm}^2$$

#### Proof of HSC anchorage

The HSC bar anchorage is considered verified if the national technical requirements are observed; compare with figures and tables.

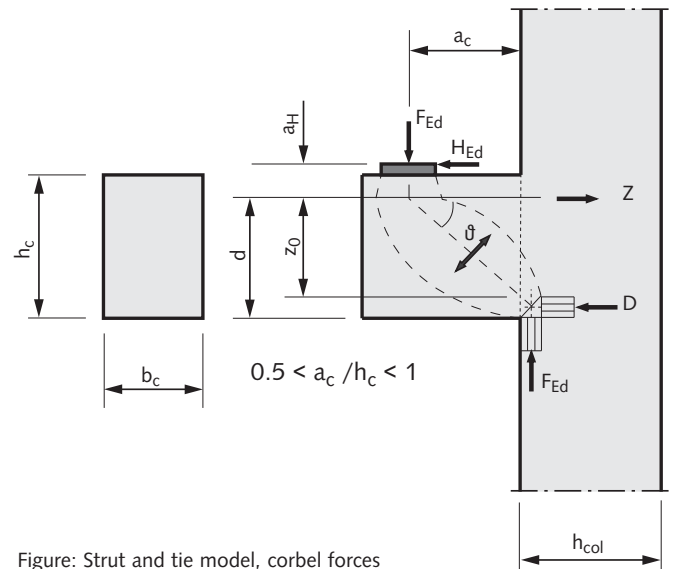


Figure: Strut and tie model, corbel forces

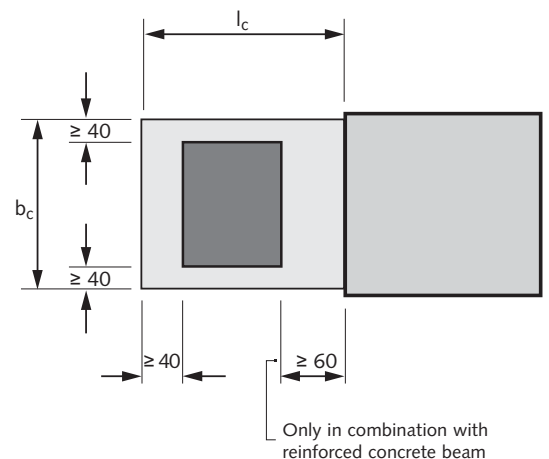


Figure: Bearing plate, top view [mm]

# HALFEN HSC STUD CONNECTOR

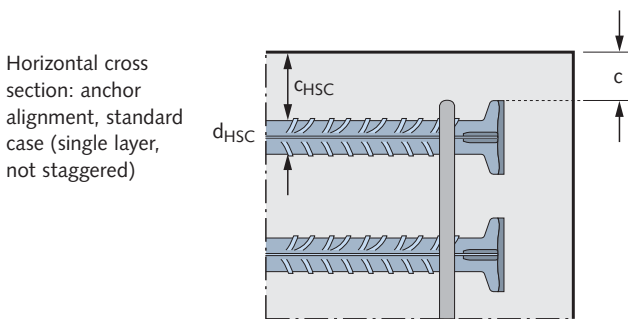
## Design and Dimensioning of Corbels, Construction Specifications

### Corbels according to approval Z-21.8-1973

Deviating from the standard layout, HSC can be placed multilayered or staggered, corbel dimensions can also be below minimum given values. In these cases further calculations are required; see approval.

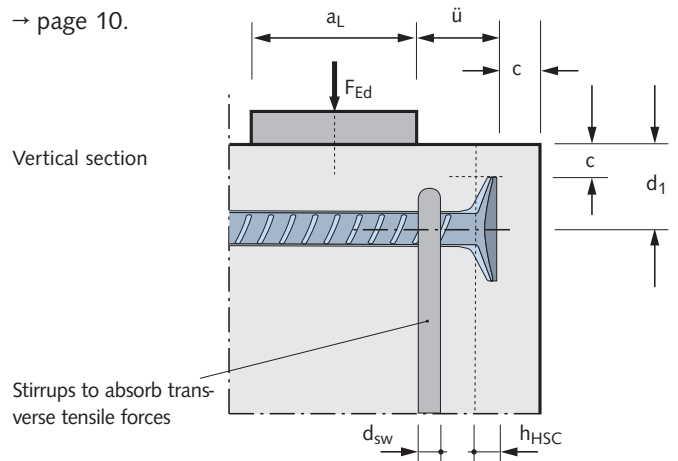
#### Further verifications and regulations

The transfer of forces to the column in single corbels can be verified using the same design rules as used for frame corners → page 6.



Proof of the compressive stress of concrete on the bearing plate is according to DIN EN 1992-1-1; see approval.  
 Crack width verification is according to DIN EN 1992-1-1.  
 Stirrup arrangement → page 9.  
 Transport safety device → page 9.

Proof of the shear joint within subsequently concreted corbels → page 10.



#### Constructional specifications

Anchor dimensions	Anchor dimensions		Anchor dimensions		Corbel dimensions		Concrete strength class	Stirrups	Concrete cover		Excess length
	d <sub>HSC</sub> [mm]	f [mm]	g [mm]	h <sub>HSC</sub> [mm]	b <sub>c,min</sub> [mm]	l <sub>c,min</sub> [mm]			d <sub>sw</sub> [mm]	c <sub>HSC</sub> [mm]	
	12	30	35	8	200	200	C20/25 ... C70/85	≥ 6	≥ 30	acc. to DIN EN 1992-1-1  $\ddot{u} \geq \max \begin{cases} \frac{c}{2} + h_{HSC} \\ \frac{d_1}{2} + h_{HSC} - \frac{a_L}{2} \end{cases}$ (HSC single layer, not staggered)	
	16	35	53	10	200	200	C20/25 ... C70/85	≥ 6	≥ 40		
	20	44	66	12	240	200	C20/25 ... C25/30	≥ 8	≥ 50		
					200	200	C40/50 ... C70/85				
25	55	83	14	300	350	C25/30 ... C30/37	≥ 10	≥ 60			
				300	300	C35/45 ... C70/85					

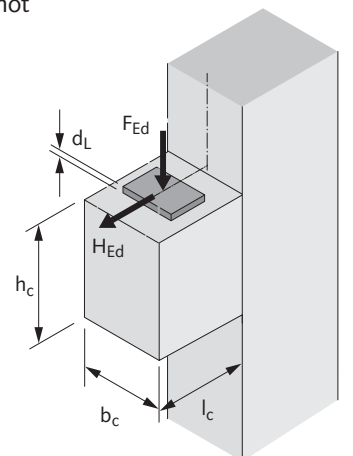
#### Reference values for corbel resistances

Anchor diameter	Concrete	Corbel dimensions			max V <sub>Ed</sub>
d <sub>HSC</sub>		b <sub>c</sub>	l <sub>c</sub>	h <sub>c</sub> (= b <sub>c</sub> )	(≤ V <sub>Rd,max</sub> )
[mm]	[-]	[mm]	[mm]	[mm]	[kN]
12	C20/25	200	200	200	119
12	C30/37	200	200	200	163
12	C40/50	200	200	200	195
16	C20/25	200	200	200	117
16	C30/37	200	200	200	152
16	C40/50	200	200	200	184
20	C20/25	300	300	300	279
20	C30/37	240	200	240	235
20	C40/50	200	200	200	190
25	C20/25	300	400	300	273
25	C30/37	300	350	300	375
25	C40/50	300	300	300	455

Note: These are estimated reference values.  
 Individual cases require separate verification.

#### Assumptions:

- concrete cover c = 20 mm
- single layer reinforcement, not staggered
- predominantly static loads  
 $H_{Ed} = 0.2 F_{Ed}$
- monolithic construction
- bearing plate thickness  
 $d_L = 20 \text{ mm}$





# HALFEN HSC STUD CONNECTOR

## Design and Dimensioning of Corbels, Construction Specifications

### Corbels according to approval Z-21.8-1973

#### Stirrups for transverse tensile forces

At least one closed vertical stirrup for transverse tensile forces has to be installed inside the load area for each rebar layer. Correct placement is between the middle of the bearing plate and the HSC anchor heads (see figure). Stirrup diameter is according to the table on page 8.

#### Stirrups for tensile splitting forces

For  $a_c \leq 0.5 \cdot h_c$  and  $V_{Ed} > 0.3 \cdot V_{Rd,max}$ :

##### Option 1:

Closed horizontal or angled stirrups enveloping corbel and column with a total minimum cross section of 50 % of the HSC reinforcement.

##### Option 2:

Closed horizontal **and** vertical stirrups inside the corbel, with a minimum overall cross section of 50% of the HSC reinforcement (separate stirrup arrangement).

For  $a_c > 0.5 \cdot h_c$  and  $V_{Ed} > V_{Rd,c}$   
( $V_{Rd,c}$  acc. to DIN EN 1992-1-1, chapter 6.2.2):

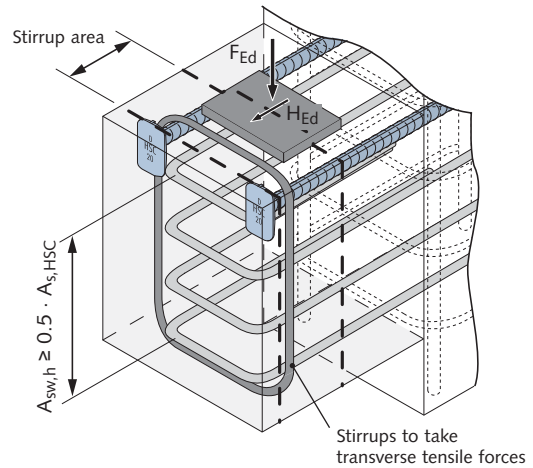
Closed vertical stirrups for total stirrup forces of  $F_{wd} = 0.7 \cdot F_{Ed}$

#### Transport safety device

Movement in the joint during transport has to be avoided. A minimum  $1.5 \text{ cm}^2/\text{m}$  joint crossing reinforcement in the pressure zone or other methods e.g. securing with tension belts are possible.

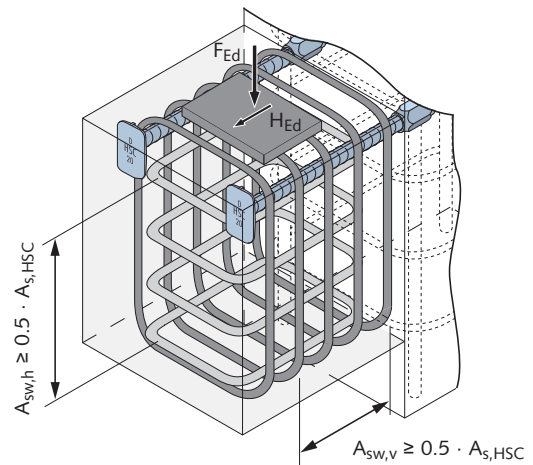
#### Short corbels ( $a_c \leq 0.5 h_c$ )

##### Option 1: continuous tensile splitting reinforcement

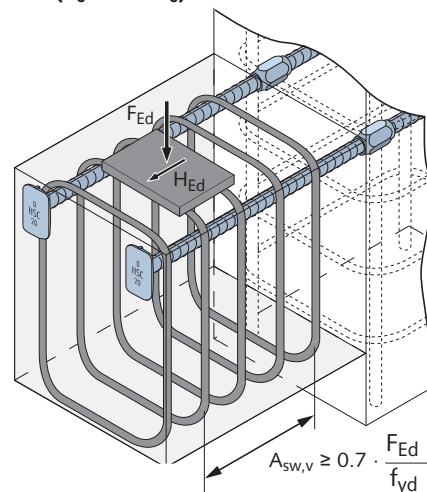


#### Short corbels ( $a_c \leq 0.5 h_c$ )

##### Option 2: separate stirrup arrangement



#### Long corbels ( $a_c > 0.5 h_c$ )



### TECHNICAL SUPPORT

#### HALFEN Technical Support

Engineering services and technical advice for your projects is available.

Contact addresses for all HALFEN Products can be found at the back side of this catalogue.

# HALFEN HSC STUD CONNECTOR

## Shear Joint Design and Dimensioning

Shear joints according to approval Z-21.8-1973

The shear joint can be configured either as an indented joint or as a "simplified key joint", see illustrations. The distance between the joints must not be smaller than the largest possible size of aggregate in the concrete mix.

### Proof of the shear joint

$$V_{Ed} \leq V_{Rdj} = c_j \cdot f_{ctd} \cdot b_c \cdot x_j + 1.2 \cdot \mu \cdot A_{sj} \cdot f_{yd} \leq V_{Rdj,max}$$

with:

$$V_{Rdj,max} = 0.5 \cdot v_j \cdot f_{cd} \cdot b \cdot h_{c,eff}$$

$$x_j = h_c \text{ for indented joint}$$

$$x_j = h_c - u \leq 500 \text{ mm for simple key joint without longitudinal tensile force } (H_{Ed} \leq 0)$$

$$x_j = x_c - u \leq 500 \text{ mm for simple key joint with longitudinal tensile force } (H_{Ed} > 0)$$

$$h_{c,eff} = h_c \text{ for indented joint}$$

$$h_{c,eff} = h_c - u \leq 500 \text{ mm for simple key joint}$$

$x_c$  ... height of compression zone ( $x_c = (d - z_0) \cdot 2$ )

$b_c, h_c$  ... width of the joint, height of the joint

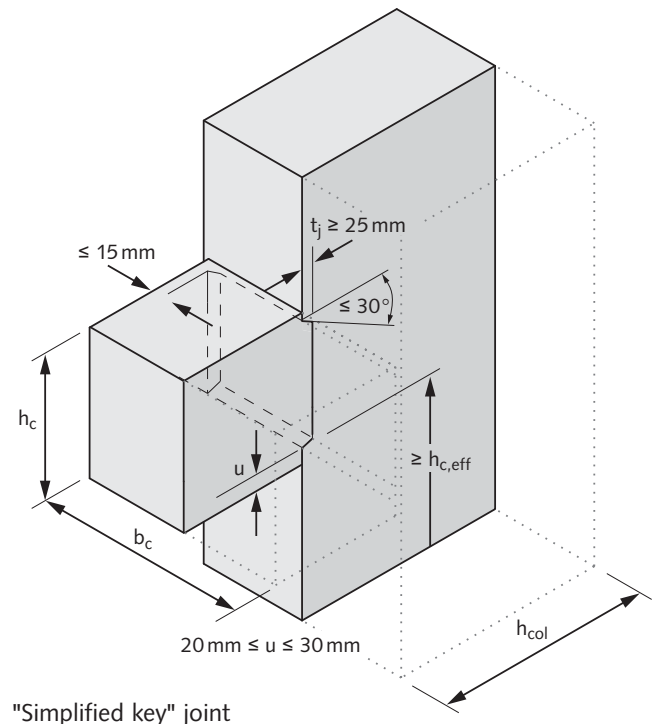
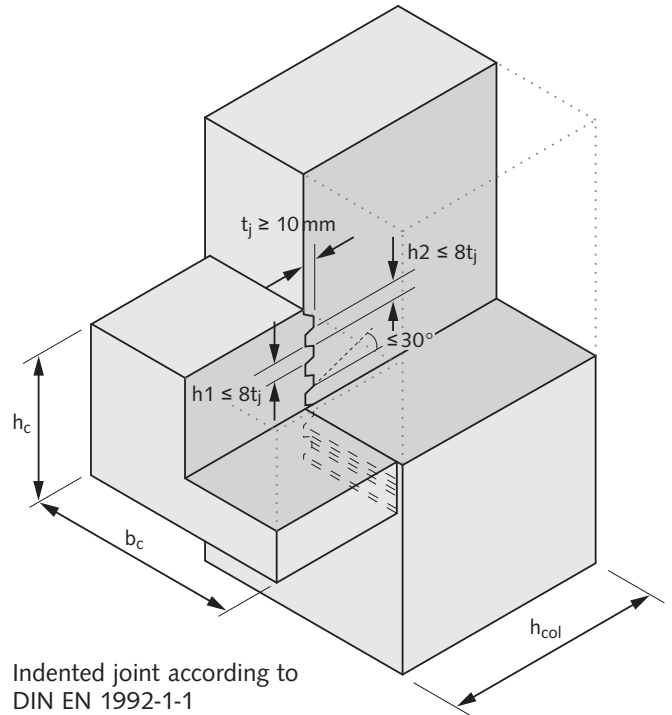
$A_{sj}$  ... overall cross section of the tensile zone reinforcement, crossing the joint at 90 degree

$c_j, \mu, v_j$  ... joint parameters according to table

$f_{cd}$  ... design value of concrete compressive strength

$$f_{ctd} = f_{ctk;0.05} / \gamma_c \dots \text{ design value of concrete tensile strength with } \gamma_c = 1.8$$

Shear joints are usually designed with HSC female bars and HSC-A single headed male bars. For proper installation of the HSC-A bars please refer to the assembly instructions on page 5.



Coefficients of shear joints			
Joint design	$c_j$	$\mu$	$v_j$
Indented joint	0.5	0.9	0.7
Simplified key joint	0.4	0.7	0.5

# HALFEN HSC STUD CONNECTOR

## End Anchorage in Beams and Slabs

Beam supports and slab supports according to approval Z-21.8-1973

### Anchorage and load transfer

In addition to the bonding effect of the ribbed rebar the forged heads can also be used to verify the anchorage for the rebar force. Because of the concentrated load transfer additional construction regulations have to be observed. Reinforcement, for example, stirrups have to be positioned to absorb shear tension loads in the anchorage zone. The diameters of these reinforcement elements should not be smaller than the recommended minimum diameters  $d_{sw}$ , see table on page 8.

The values in the table for the concrete cover  $c_{HSC}$  and the minimum construction dimensions should be observed, see table page 8.

Load transfer for the anchor forces has to be ensured, otherwise additional reinforcement is required.

Always observe the National Technical Approval.

### Beams, solid slabs

Considering stress spreading triangular in the bearing area (see adjacent figure) and unstaggered one layer tensile reinforcement, the HSC reinforcement may be deemed as **fully anchored**, if the anchorage length below is observed:

$$l_b = \frac{2 \cdot V_{Ed}}{\sigma^* \cdot b} + \ddot{u} \geq 6.7 \cdot d_{HSC}$$

with:  $\sigma^*$  = allowable compression at calculated bearing, compare to figure.  $\ddot{u}$  = head overlap

$$\ddot{u} \geq \max \left\{ \begin{array}{l} \frac{c}{2} + h_{HSC} \\ \frac{d_1}{2} + h_{HSC} - \frac{4 \cdot V_{Ed}}{3 \cdot \sigma^* \cdot b} \end{array} \right.$$

$h_{HSC}$  → table page 8

Deviating from the standard layout, HSC can be placed multilayered or staggered, corbel dimensions can also be below minimum given values. In these cases further calculations are required; see approval.

### Bearing area of beams:

At least one closed vertical stirrup for each layer of reinforcement.

HSC at the anchor head, minimum diameter  $d_{sw}$  according to table → page 8

### Bearing area of slabs:

Transverse reinforcement at least 20 % of the tensile moment reinforcement.

At the flanking margins u-shaped stirrups with minimum diameter  $d_{sw}$  according to the table on page 8.

The transverse reinforcement has to be calculated according to DIN EN 1992-1-1, valid for  $V_{Rd,max}$ :

$$V_{Rd,max} = 0.5 \cdot v \cdot b \cdot z \cdot \frac{f_{ck}}{\gamma_c}$$

$$\text{with: } v = 0.7 - \frac{f_{ck}}{200 \text{ N/mm}^2} \geq 0.5$$

Solid slabs **requiring no** statically shear reinforcement:

shear resistance is sufficient also in the load initial area of HSC anchors.

Solid slabs **requiring** statically shear reinforcement, beams: observing the minimum shear reinforcement in area  $l_{sw} = d$  from the leading edge of the support:

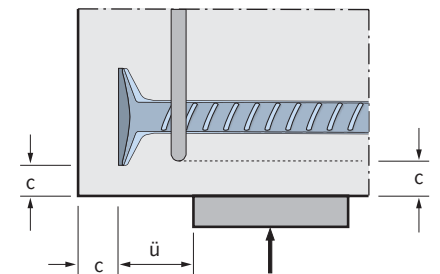
$$A_{sw,v} \geq 0.7 \cdot \frac{V_{Ed}}{f_{yd,sw}}$$

Slabs:

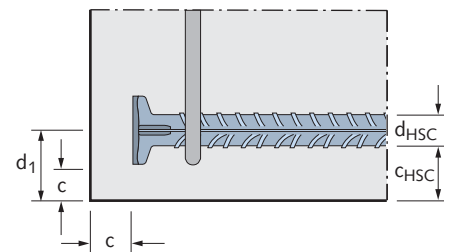
vertical reinforcement

Beams:

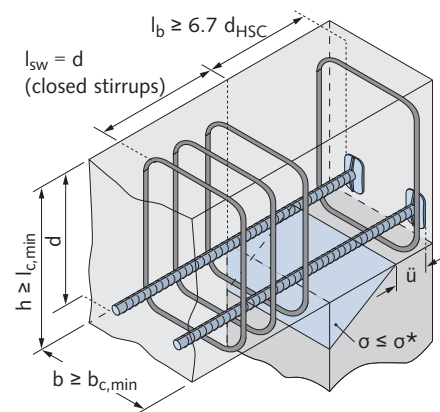
closed vertical stirrups



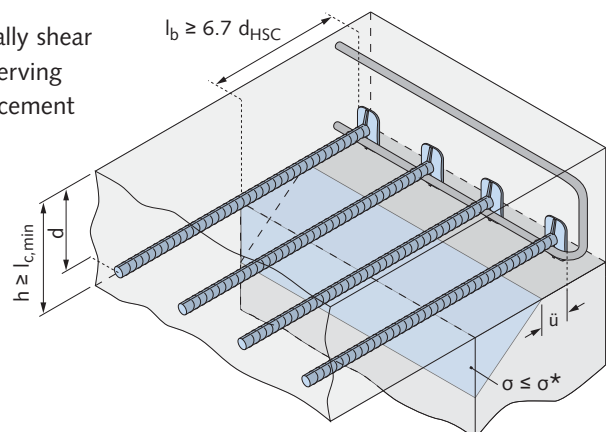
Concrete cover; head extension, vertical section



Concrete cover; horizontal section



Beam support; minimum requirements



Slab support; minimum requirements

# HALFEN HSC STUD CONNECTOR

## Calculation Example

### Calculation example corbel according to approval Z-21.8-1973

#### Calculation example:

#### Proof of concrete compression under the bearing plate

$$A_{c0} = 200 \cdot 200 \text{ mm}^2 = 40000 \text{ mm}^2 \quad A_{c1} = 253 \cdot 253 \text{ mm}^2 = 64009 \text{ mm}^2$$

$$F_{Rdu} = A_{c0} \cdot f_{cd} \cdot \sqrt{\frac{A_{c1}}{A_{c0}}} = 40000 \cdot 1.7 \cdot \sqrt{\frac{64009}{40000}} = 860200 \text{ N} = 860.2 \text{ kN}$$

$$< 3 \cdot f_{cd} \cdot A_{c0} = 3 \cdot 1.7 \cdot 400 = 2040 \text{ kN} > 34512 \text{ kN} = F_{Ed} \quad \checkmark$$

#### Shear resistance of the corbel

$$V_{Rd,max} = 0.5 \cdot v \cdot b_c \cdot z \cdot \frac{f_{ck}}{\gamma_c} \quad v = 0.7 - \frac{f_{ck}}{200 \text{ N/mm}^2} = 0.7 - \frac{30}{200} = 0.55 \geq 0.5 \quad \checkmark$$

$$z = 0.9 \cdot d = 0.9 \cdot (40.0 - 5.3) = 31.2 \text{ cm}$$

$$V_{Rd,max} = 0.5 \cdot 0.55 \cdot 40 \cdot 31.2 \cdot \frac{3.0}{1.5} = 687.1 \text{ kN} > V_{Ed} = 345 \text{ kN} \quad \checkmark$$

#### HSC reinforcement

$$Z_{Ed} = F_{Ed} \cdot \frac{a_c}{z_0} + H_{Ed} \cdot \frac{a_h + z_0}{z_0} \quad z_0 = d \cdot \left( 1 - 0.4 \cdot \frac{V_{Ed}}{V_{Rd,max}} \right) = 34.7 \cdot \left( 1 - 0.4 \cdot \frac{345}{687} \right) = 27.7 \text{ cm}$$

$$Z_{Ed} = 345 \cdot 0.632 + 69 \cdot \frac{7.3 + 27.7}{27.7} = 305.2 \text{ kN} \quad \frac{a_c}{z_0} = \frac{17.5}{27.7} = 0.632 > 0.4 \quad \checkmark$$

$$A_{s,HSC,req} = \frac{Z_{Ed}}{f_{yd}} = \frac{305.2 \text{ kN}}{43.5 \text{ kN/cm}^2} = 7.02 \text{ cm}^2$$

chosen: 3 diam. 20:  $A_{s,HSC,prov} = 9.42 \text{ cm}^2 > 7.02 \text{ cm}^2 = A_{s,HSC,req}$

(single layer layout sufficient)

Crack width proof necessary

#### Proof of HSC anchorage

(indirectly by observing building regulation)

Minimum corbel dimensions:  $b_c / l_c = 40 \text{ cm} / 35 \text{ cm} > 24 \text{ cm} / 20 \text{ cm} = b_{c,min} / l_{c,min} \quad \checkmark$

$$\text{Extension: } \ddot{u}_{req} \geq \max \begin{cases} \frac{c}{2} + h_{HSC} = \frac{2.0 \text{ cm}}{2} + 1.2 \text{ cm} = 2.2 \text{ cm} \\ \frac{d_1}{2} + h_{HSC} - \frac{a_L}{2} = \frac{5.3 \text{ cm}}{2} + 1.2 \text{ cm} - \frac{20.0 \text{ cm}}{2} = -6.2 \text{ cm} \end{cases}$$

$$\ddot{u}_{req} = 2.2 \text{ cm} < \ddot{u}_{prov} = 7.5 \text{ cm} - 2.0 \text{ cm} = 5.5 \text{ cm} \quad \checkmark$$

#### Specifications

- column, see figure below
- concrete C30/37
- $c_{nom} = 20 \text{ mm}$
- column reinforcement: each flank 4 diam. 20

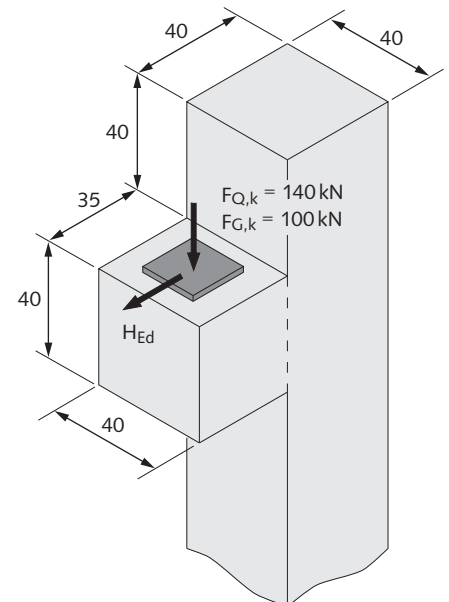
#### Calculation assumptions

- vertical anchor head placement
- single layer HSC reinforcement,  $d_{HSC} = 20 \text{ mm}$
- dimensions of the bearing plate: 20.0 / 20.0 / 2.0 cm
- bearing plate centred on corbel

#### Actions

$$V_{Ed} = 1.35 \cdot 100 \text{ kN} + 1.5 \cdot 140 \text{ kN} = 345 \text{ kN}$$

$$H_{Ed} = 0.20 \cdot 345 \text{ kN} = 69 \text{ kN (minimum value)}$$



Dimensions in [cm]

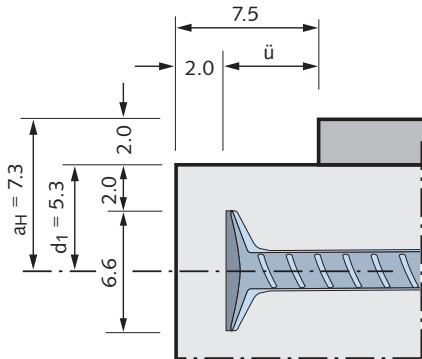
### TECHNICAL SUPPORT

#### HALFEN Technical Support

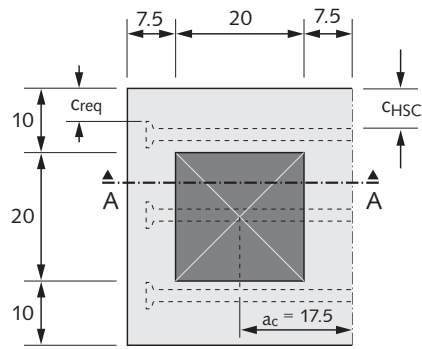
Engineering services and technical support for your individual projects. Contact information can be found at the back side of this catalogue.

# HALFEN HSC STUD CONNECTOR

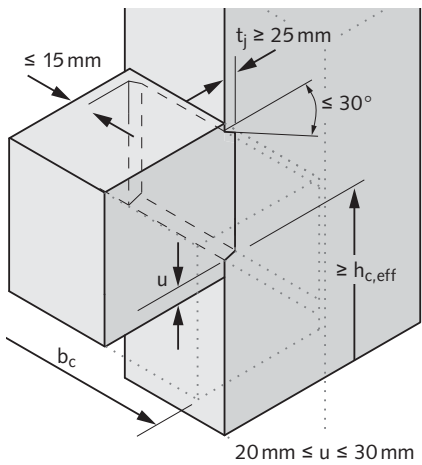
## Calculation Example Corbel According to Approval Z-21.8-1973



Section A - A [cm]



Corbel view from top [cm]



Simplified key joint; detail from page 10

Concrete cover to the sides of anchors:

$$c_{req} = c_{HSC} - \frac{f - d_{HSC}}{2} = 5.0 \text{ cm} - \frac{4.4 \text{ cm} - 2 \text{ cm}}{2} = 3.8 \text{ cm}$$

→ concrete cover on anchor head sides = 3.8 cm

Minimum column dimensions:

$$b_{col}/h_{col} = 40 \text{ cm}/40 \text{ cm} > 30 \text{ cm}/30 \text{ cm} = b_{col,min}/h_{col,min} \checkmark$$

$$\text{Column reinforcement diameter: } d_{s,col} = 2.0 \text{ cm} > 1.6 \text{ cm} = d_{s,col,min} \checkmark$$

### Proof of the shear joint

Assumption: designed as simplified keyed joint

$$V_{Rdj} = c_j \cdot f_{ctd} \cdot b \cdot x_j + 1.2 \cdot \mu \cdot A_{sj} \cdot f_{yd} \leq V_{Rdj,max}$$

$$x_j = x_c - u = (d - z_0) \cdot 2 - u \quad \text{Assumption: } u = 20 \text{ mm}$$

$$x_j = (347 - 277) \cdot 2 - 20 = 120 \text{ mm} < 500 \text{ mm}$$

$$V_{Rd,max} = 0.5 \cdot v_j \cdot f_{cd} \cdot b \cdot h_{c,eff} = 0.5 \cdot 0.5 \cdot 0.85 \cdot \frac{3.0}{1.5} \cdot 40 \cdot 38 = 646 \text{ kN}$$

$$V_{Rdj} = 0.4 \cdot \frac{2.03}{1.8} \cdot 400 \cdot 120 + 1.2 \cdot 0.7 \cdot 9.42 \cdot 10^2 \cdot 435 = 365860 \text{ N} = 365.9 \text{ kN}$$

$$< 646 \text{ kN} = V_{Rd,max} \quad > 345 \text{ kN} = V_{Ed} \checkmark$$

### Node resistance

Acting shear force:

$$V_{jh} = A_{s,HSC} \cdot f_{yd} - V_{Ed,col,o} = 9.42 \cdot 43.5 = 409.7 \text{ kN}$$

Node resistance without stirrups:

$$V_{j,cd} = 1.55 \cdot \left( 1.2 - 0.3 \cdot \frac{h_{beam}}{h_{col}} \right) \cdot \left( 1 + \frac{\rho_{col} - 0.5}{7.5} \right) \cdot b_{eff} \cdot h_{col} \cdot \left( \frac{f_{ck}}{\gamma_c} \right)^{1/4}$$

$$\frac{h_{beam}}{h_{col}} = \frac{40}{40} = 1.0 \quad \left\{ \begin{array}{l} \geq 1.0 \checkmark \\ \leq 2.0 \checkmark \end{array} \right. \quad \rho_{col} = 0.79\% \quad \left\{ \begin{array}{l} \geq 0.5\% \checkmark \\ \leq 2.0\% \checkmark \end{array} \right.$$

$$b_{eff} = \frac{b_{beam} + b_{col}}{2} = \frac{40 + 40}{2} = 40 \text{ cm} \leq b_{col} = 40 \text{ cm}$$

$$V_{j,cd} = 1.55 \cdot (1.2 - 0.3 \cdot 1.0) \cdot \left( 1 + \frac{0.79 - 0.5}{7.5} \right) \cdot 400 \cdot 400 \cdot \left( \frac{30}{1.5} \right)^{1/4} = 490262 \text{ N} = 490.3 \text{ kN} > 409.7 \text{ kN} = V_{jh} \checkmark \rightarrow \text{no further stirrups necessary}$$

Maximum node resistance:

$$V_{j,Rd,max} = \gamma_{N1} \cdot \gamma_{N2} \cdot 0.3 \cdot \frac{f_{ck}}{\gamma_c} \cdot b_{eff} \cdot h_{col} \leq 2 \cdot V_{j,cd}$$

$$N_{Ed,col} = 1.0 \cdot N_G + 0.3 \cdot \sum N_Q = -100 - 0.3 \cdot 140 = -142 \text{ kN}$$

$$\gamma_{N1} = 1.5 \cdot \left( 1 + 0.8 \cdot \frac{N_{Ed,col}}{A_{c,col} \cdot f_{ck}} \right) \leq 1.0 \quad \gamma_{N1} = 1.5 \cdot \left( 1 - 0.8 \cdot \frac{142}{40^2 \cdot 3.0} \right) = 1.46 > 1.0$$

$$\gamma_{N2} = 1.9 - 0.6 \cdot \frac{h_{beam}}{h_{col}} = 1.9 - 0.6 \cdot \frac{40}{40} = 1.3 > 1.0$$

$$V_{j,Rd,max} = 1.0 \cdot 1.0 \cdot 0.3 \cdot \frac{3.0}{1.5} \cdot 40.0 \cdot 40.0 = 960 \text{ kN} \leq 2 \cdot V_{j,cd} = 2 \cdot 490.3 \text{ kN} = 980.6 \text{ kN}$$

$$V_{jh} = 409.6 \text{ kN} < 960 \text{ kN} = V_{j,Rd,max} \checkmark$$

# HALFEN HSC STUD CONNECTOR

## Calculation Example Corbel

Calculation example corbel according to approval Z-21.8-1973

### Stirrups for transverse tensile forces

One closed stirrup diam. 8 mm near the anchor heads

### Stirrups for tensile splitting forces

Boundary conditions:  $V_{Ed} = 345 \text{ kN} > 0.3 V_{Rd,max} = 288 \text{ kN}$

$$\frac{a_c}{h_c} = \frac{17.5}{40} = 0.44 < 0.5$$

separate stirrups for column and corbel

$$A_{sw,h,req} = A_{sw,v,req} \geq 0.5 \cdot A_{s,HSC}$$

$$A_{sw,req} = 0.5 \cdot 7.02 \text{ cm}^2 = 3.51 \text{ cm}^2$$

$$A_{sw,h,prov} = A_{sw,v,prov} \geq \pi/4 \cdot 0.8^2 \cdot 4 \cdot 2 = 4.02 \text{ cm}^2$$

selected: 4  $\varnothing$  8 stirrups horizontally **and** vertically

### Secure transport

Secure during transport using suitable cargo tension belts

### Design and dimensioning of the column

(as conventional corbel reinforcement)

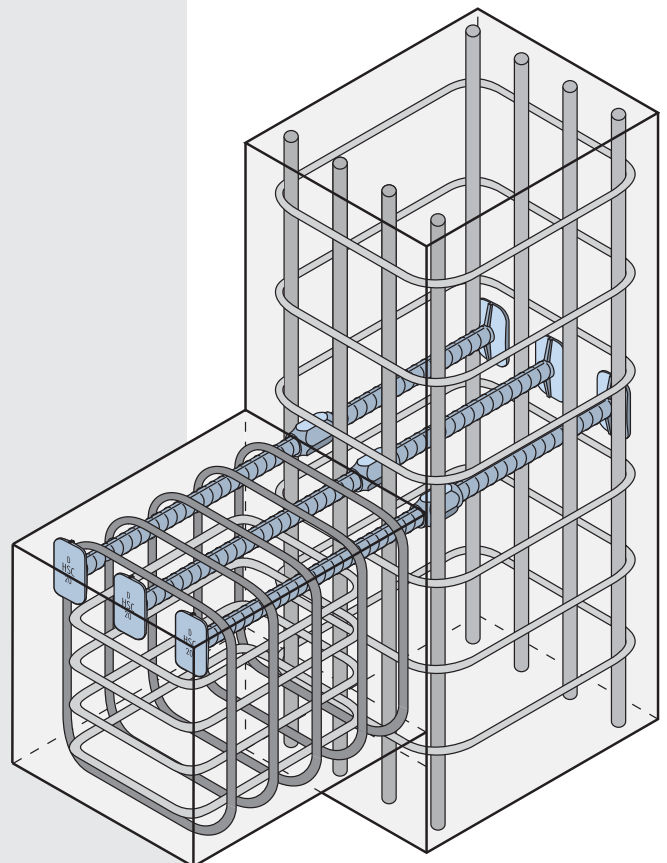
Longitudinal column reinforcement ratio:

$$\rho_{col} = \frac{A_{s1,col}}{b_{col} \cdot h_{col}} = \frac{A_{s2,col}}{b_{col} \cdot h_{col}} = \frac{\pi \cdot 2.0^2}{40^2} = 0.79\% > 0.5\% \quad \checkmark$$

Anchorage of longitudinal column reinforcement:

$$l_{b,req} = \frac{\sigma \cdot A_{s,req}}{f_{bd} \cdot \pi \cdot d \cdot n} = \frac{43.5 \cdot 3.60}{0.3 \cdot \pi \cdot 2.0 \cdot 4} = 20.8 \text{ cm} < 38 \text{ cm} = l_{b,prov} \quad \checkmark$$

minimum stirrup reinforcement inside the node: diam. 8 mm,  $s = 100 \text{ mm}$



Corbel reinforcement with HALFEN HSC Stud Connector according to this calculation example

### HALFEN offers a free easy-to-use calculation software.

The latest version of the calculation software can be downloaded at [www.halfen.com](http://www.halfen.com).

System requirements for HALFEN calculation software:

- Windows 7, Windows 8.1, Windows 10
- Microsoft .Net Framework 3.5, SP1 (Windows 10 system requires eventually an installation afterwards)
- Microsoft Excel 2010, 2013 or 2016 local host installed

A DVD containing calculation software, catalogues and approvals is available.



# HALFEN HSC STUD CONNECTOR

## HSC Stud Connector

### Data sheet, input values

Organisation/plant \_\_\_\_\_

Contact person \_\_\_\_\_

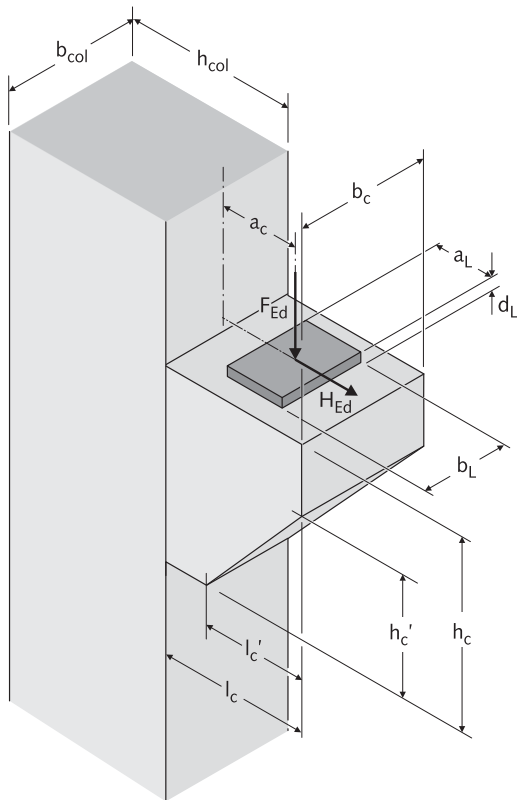
Phone \_\_\_\_\_ Fax \_\_\_\_\_

E-mail \_\_\_\_\_

Construction project \_\_\_\_\_

Site location \_\_\_\_\_

Item \_\_\_\_\_



Please send the completed form to your local HALFEN distributor by fax or by E-Mail. Addresses are listed on the catalogue cover. Trained engineers are available to help you plan with the HALFEN HSC Stud Connector system

### Column geometry

Column width	$b_{col}$		mm
Column depth	$h_{col}$		mm

### Corbel geometry

Corbel width	$b_c$		mm
Corbel length	$l_c$		mm
Corbel haunch length	$l'_c$		mm
Corbel height	$h_c$		mm
Corbel haunch height	$h'_c$		mm

### Geometry of bearing plate and point of load application

Bearing plate thickness	$d_L$		mm
Bearing plate width	$b_L$		mm
Bearing plate length	$a_L$		mm
Point of load application	$a_c$		mm

### Loads

Vertical load	$F_{Ed}$		kN
Horizontal load	$H_{Ed}$		kN

### Boundary conditions

Concrete class	C		
Concrete cover	$c_{nom}$		mm
Monolithic corbel design?	<input type="checkbox"/>	or several concrete steps?	<input type="checkbox"/>
Unilateral corbel?	<input type="checkbox"/>	or bilateral corbel?	<input type="checkbox"/>

### Column data above the corbel

Vertical load	$N_{Ed,col,o}$		kN
Horizontal load	$V_{Ed,col,o}$		kN
Outer column reinforcement (longitudinal)	Number		pcs
	Diam.		mm

### Proof of fatigue resistance

Max. vertical force	$V_{Ed,max}$		kN
Min. vertical force	$V_{Ed,min}$		kN

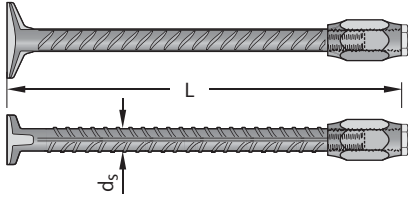
Minimum element dimensions according to approval no. Z-21.8-1973, appendices 3 and 4 [mm]

Anchor diam. HSC	Concrete strength class	Minimum constructional dimensions	
		Column $b_{col,min}/h_{col,min}$	Corbel $b_{c,min}/l_{c,min}$
12	C20/25-C70/85	240/240	200/200
16	C20/25-C70/85	240/240	200/200
	C20/25-C25/30	300/300	300/300
	C30/37-C35/45	300/300	240/200
20	C40/50-C70/85	240/240	200/200
	C20/25	300/400	300/400
25	C25/30-C30/37	300/350	300/350
	C35/45-C70/85	300/300	300/300

# HALFEN HSC STUD CONNECTOR

## Product Range, References for Length Calculation

### HSC-S Single headed female bars



Material:  
Concrete steel  
B500B ②

Article name type bar diam. $d_s$ / L [mm]	$L_{min}$ [mm]	Article No.
HSC - S - 12 / . . .	155	0060.300 ①
HSC - S - 16 / . . .	180	0060.310 ①
HSC - S - 20 / . . .	200	0060.320 ①
HSC - S - 25 / . . .	230	0060.330 ①

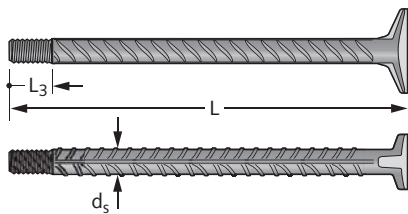
① required length, please indicate with your order, see page bottom.

### HSC-S standard lengths

Type	Article No.	Diam. $d_s$ [mm]	Length L [mm]	For column dimensions *) $h_{col}$ [mm]
HSC-S	0060.300-00001	12	360	400
	0060.300-00002	12	460	500
	0060.310-00001	16	360	400
	0060.310-00002	16	460	500
	0060.320-00001	20	360	400
	0060.320-00002	20	460	500

\*) Constructional column requirements and country-specific approvals - if applicable - have to be considered.  
Applies to concrete cover  $c_{nom} = 30$  mm.

### HSC-A Single headed male bars



Material:  
Concrete steel  
B500B ②

Article name type bar diam. $d_s$ / L [mm]	$L_{min}$ [mm]	Screw depth $L_3$ [mm]	Article No.
HSC - A - 12 / . . .	130	16,5	0060.400 ①
HSC - A - 16 / . . .	150	22,5	0060.410 ①
HSC - A - 20 / . . .	160	28,5	0060.420 ①
HSC - A - 25 / . . .	190	36	0060.430 ①

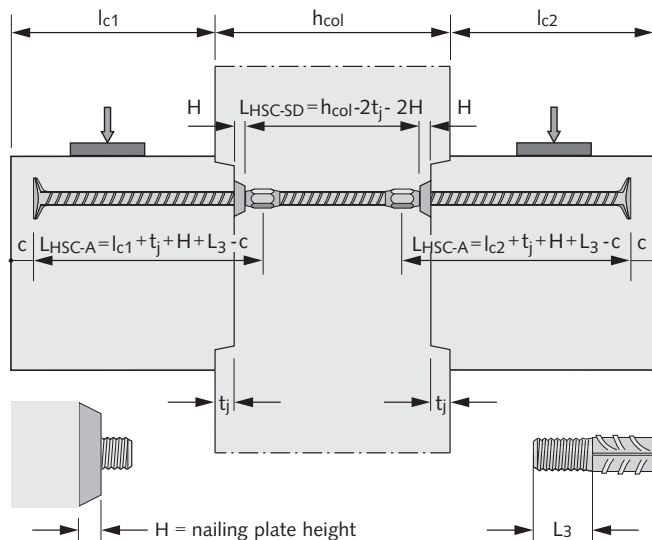
① please state required length when ordering, see bottom of page.

\*) Constructional column requirements and country-specific approvals (if applicable) have to be considered.  
Applies to concrete cover  $c_{nom} = 30$  mm.

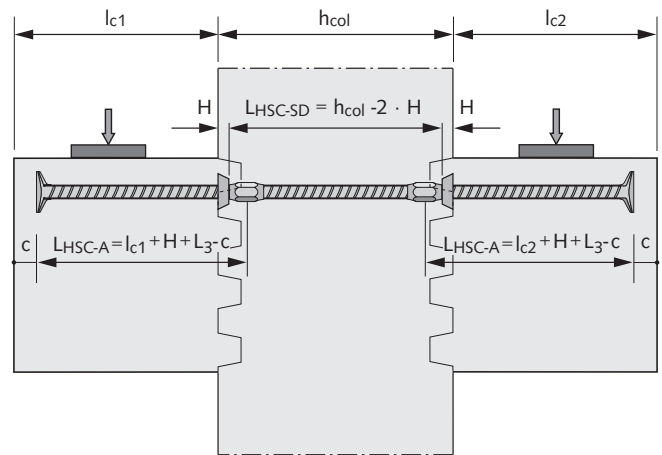
### HSC-A standard lengths

Type	Article No.	Diam. $d_s$ [mm]	Length L [mm]	For corbel extensions *) $l_c$ [mm]
HSC-A	0060.400-00001	12	195	200
	0060.400-00002	12	245	250
	0060.400-00003	12	295	300
	0060.400-00004	12	345	350
	0060.400-00005	12	395	400
	0060.410-00001	16	202	200
	0060.410-00002	16	252	250
	0060.410-00003	16	302	300
	0060.410-00004	16	352	350
	0060.410-00005	16	402	400
	0060.420-00001	20	208	200
	0060.420-00002	20	258	250
	0060.420-00003	20	308	300
	0060.420-00004	20	358	350
	0060.420-00005	20	408	400

### Design with simplified keyed joint, order length



### Design with indented joint, order length



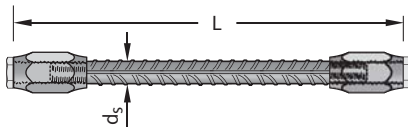
② B500NR stainless steel on request



# HALFEN HSC STUD CONNECTOR

## Product Range, References for Length Calculation

### HSC-SD Double female bar



Material:  
Concrete steel  
B500B ②

Article name type bar diam. $d_s$ / L [mm]	$L_{min}$ [mm]	Article No.
HSC - SD - 12 / ...	205	0060.500 ①
HSC - SD - 16 / ...	215	0060.510 ①
HSC - SD - 20 / ...	230	0060.520 ①
HSC - SD - 25 / ...	275	0060.530 ①

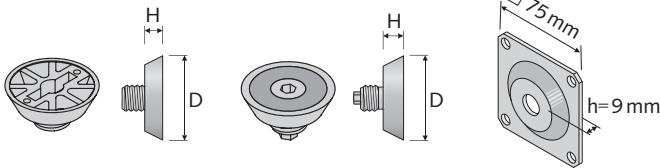
① please state required length when ordering, see bottom of page

### Formwork accessories

Nailing plate, plastic  
**3905**

Magnetic plate  
**6365**

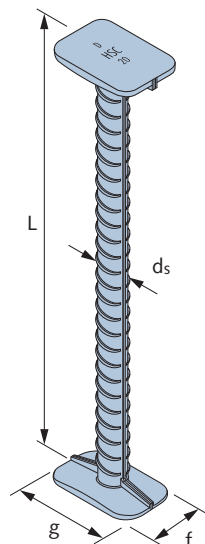
Nailing plate, metal  
**3916**



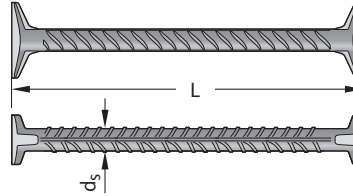
Article name	For bar diam. $d_s$ [mm]	D [mm]	H [mm]	Article No.
3905 - 12	12	60	10	0725.020-00002
3905 - 16	16	60	10	0725.020-00004
3905 - 20	20	60	10	0725.020-00005
3916 - 25	25	75	9	0725.030-00001
6365 - 12	12	40	12	0741.180-00001
6365 - 16	16	40	12	0741.180-00002
6365 - 20	20	55	12	0741.180-00003

Depending on performance and to find the required order length L the following has to be considered:

- column dimensions  $h_{col}$
- corbel length  $l_c$
- concrete cover c acc. to structural analysis
- thickness H of the nailing/magnetic plates
- thread length  $L_3$  of HSC-A bars according to bar diameter
- key joint depth  $t_j$
- minimum constructional dimensions according to approval, see table on page 7-8.



### HSC-HD Double headed bar

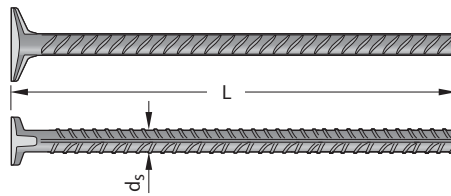


Material:  
Concrete steel  
B500B ②

Article name type bar diam. $d_s$ / L [mm]	$L_{min}$ [mm]	Article No.
HSC - HD - 12 / ...	175	0060.200 ①
HSC - HD - 16 / ...	175	0060.210 ①
HSC - HD - 20 / ...	175	0060.220 ①
HSC - HD - 25 / ...	180	0060.230 ①

① please state required length when ordering

### HSC-H Single headed anchor bar



Material:  
Concrete steel  
B500B ②

Article name type bar diam. $d_s$ / L [mm]	Article No.
HSC - H - 12 / ...	0060.100 ①
HSC - H - 16 / ...	0060.110 ①
HSC - H - 20 / ...	0060.120 ①
HSC - H - 25 / ...	0060.130 ①

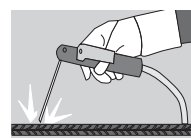
① please state required length when ordering, see bottom of page

### Dimensions HSC anchor head

HSC - Typ		12	16	20	25
bar diameter $\varnothing_{d_s}$	[mm]	12	16	20	25
anchor head width f	[mm]	30	35	44	55
anchor head length g	[mm]	35	53	66	83
contact-surface under-head $A_{K1}$	[mm <sup>2</sup> ]	906	1599	2504	3940

② B 500 NR stainless steel on request

### Notes



Flash butt welding in accordance with EN ISO 17660-1 is mandatory for factory-welded butt-joints on HSC anchors when welding special lengths and designs. The EN ISO 17660-1 guidelines are generally only valid for predominantly static loads.

For fatigue susceptible building elements a distinct decrease in fatigue strength of the B500B reinforcement should be taken into account.

Please contact HALFEN Technical Support if you require technical assistance for your individual projects.

## HALFEN HSC STUD CONNECTOR

---

### HSC Stud Connector

#### Text for invitation to tender

#### HALFEN HSC Stud Connector type HSC-S-16/L

HALFEN HSC Stud Connector type HSC-S reinforcement bar with sleeve and with unilateral forged anchor heads, for connection and anchorage of reinforcement steel bars, with National Technical Approval, for predominantly and non-predominantly static loads,

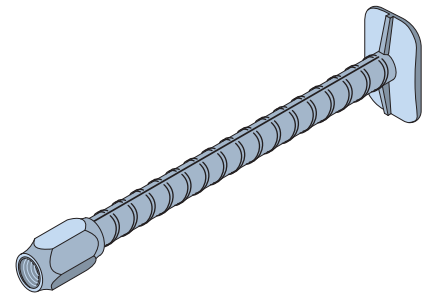
suitable as multilayer and staggered reinforcement, using rectangle shaped stud heads optimized for minimum bar spacing, short bond lengths and high degree of reinforcement, material B500B,

type HSC-S-16/L

16 = diameter [mm],

L = length ... [mm],

or equivalent; deliver and install according to manufacturer's instructions.



---

#### HALFEN HSC Stud Connector type HSC-HD-20/L

HALFEN HSC Stud Connector type HSC-HD reinforcement bar with two forged anchor head, for connection and anchorage of reinforcement steel bars, with National Technical Approval, for predominantly and non-predominantly static loads,

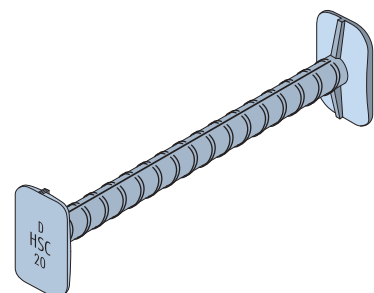
suitable as multilayer and staggered reinforcement, using rectangle shaped stud heads optimized for minimum bar spacing, short bond lengths and high degree of reinforcement, material B500B,

type HSC-HD-20/L

20 = diameter [mm],

L = length ... [mm],

or equivalent; deliver and install according to manufacturer's instructions.



---

Further tender texts are available at [www.halfen.com](http://www.halfen.com)

# HALFEN HSC STUD CONNECTOR

## HSC Stud Connector

### Order form

Enquiry     Order

(Please tick appropriate)

Please send the completed form to your local HALFEN distributor by fax or by E-mail. Addresses are listed on the catalogue cover. Trained engineers are available to help you plan with the HALFEN HSC Stud Connector system.

Construction project

Organisation/facility

Address

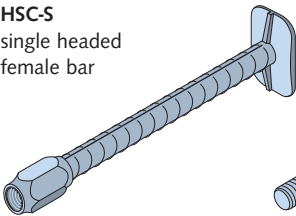
Contact person

Phone

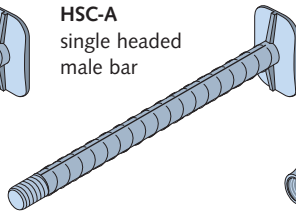
Fax

E-mail

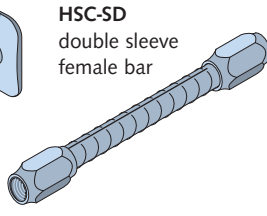
**HSC-S**  
single headed  
female bar



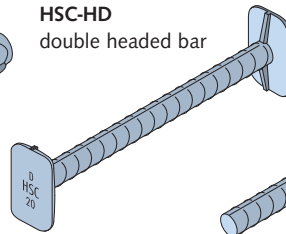
**HSC-A**  
single headed  
male bar



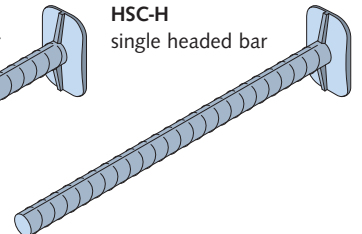
**HSC-SD**  
double sleeve  
female bar



**HSC-HD**  
double headed bar

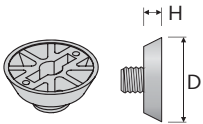


**HSC-H**  
single headed bar

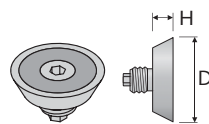


### Formwork accessories

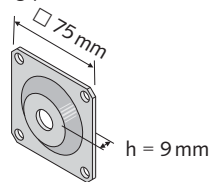
Nailing plate, plastic



Magnetic plate



Nailing plate, metal



Pos.	No. [pcs.]	Type	Bar diam. $d_s$ [mm]	Length [mm]	Article no.	Price per unit [EUR]	Total price per pos. [EUR]

Delivery address  
(only if different from order address)

\_\_\_\_\_

\_\_\_\_\_

\_\_\_\_\_

**Amount**  
packaging and freight charges added    **EUR**

Date,  
signature

## CONTACT HALFEN WORLDWIDE

HALFEN is represented by subsidiaries in the following 14 countries, please contact us:

Austria	HALFEN Gesellschaft m.b.H. Leonard-Bernstein-Str. 10 1220 Wien	Phone: +43-1-259 6770 E-Mail: office@halfen.at Internet: www.halfen.at	Fax: +43-1-259-677099
Belgium / Luxembourg	HALFEN N.V. Borkelstraat 131 2900 Schoten	Phone: +32-3-658 07 20 E-Mail: info@halfen.be Internet: www.halfen.be	Fax: +32-3-658 15 33
China	HALFEN Construction Accessories Distribution Co.Ltd. Room 601 Tower D, Vantone Centre No. A6 Chao Yang Men Wai Street Chaoyang District Beijing · P.R. China 100020	Phone: +86-10 5907 3200 E-Mail: info@halfen.cn Internet: www.halfen.cn	Fax: +86-10 5907 3218
Czech Republic	HALFEN s.r.o. Business Center Šafránkova Šafránkova 1238/1 155 00 Praha 5	Phone: +420-311-690 060 E-Mail: info@halfen-deha.cz Internet: www.halfen-deha.cz	Fax: +420-235-314 308
France	HALFEN S.A.S. 18, rue Goubet 75019 Paris	Phone: +33-1-445231 00 E-Mail: halfen@halfen.fr Internet: www.halfen.fr	Fax: +33-1-445231 52
Germany	HALFEN Vertriebsgesellschaft mbH Liebigstr. 14 40764 Langenfeld	Phone: +49-2173-970-0 E-Mail: info@halfen.de Internet: www.halfen.de	Fax: +49-2173-970 225
Italy	HALFEN S.r.l. Soc. Unipersonale Via F.lli Bronzetti N° 28 24124 Bergamo	Phone: +39-035-0760711 E-Mail: tecnico@halfen.it Internet: www.halfen.it	Fax: +39-035-0760799
Netherlands	HALFEN b.v. Oostermaat 3 7623 CS Borne	Phone: +31-74-267 14 49 E-Mail: info@halfen.nl Internet: www.halfen.nl	Fax: +31-74-267 26 59
Norway	HALFEN AS Postboks 2080 4095 Stavanger	Phone: +47-51 82 34 00 E-Mail: post@halfen.no Internet: www.halfen.no	Fax: +47-51 82 34 01
Poland	HALFEN Sp. z o.o. Ul. Obornicka 287 60-691 Poznan	Phone: +48-61-622 14 14 E-Mail: info@halfen.pl Internet: www.halfen.pl	Fax: +48-61-622 14 15
Sweden	Halfen AB Vädursgatan 5 412 50 Göteborg	Phone: +46-31-98 58 00 E-Mail: info@halfen.se Internet: www.halfen.se	Fax: +46-31-98 58 01
Switzerland	HALFEN Swiss AG Hertistrasse 25 8304 Wallisellen	Phone: +41-44-849 78 78 E-Mail: info@halfen.ch Internet: www.halfen.ch	Fax: +41-44-849 78 79
United Kingdom / Ireland	HALFEN Ltd. A1/A2 Portland Close Houghton Regis LU5 5AW	Phone: +44-1582-47 03 00 E-Mail: info@halfen.co.uk Internet: www.halfen.co.uk	Fax: +44-1582-47 03 04
United States of America	HALFEN USA Inc. 8521 FM 1976 P.O. Box 547 Converse, TX 78109	Phone: +1 800.423.91 40 E-Mail: info@halfenusa.com Internet: www.halfenusa.com	Fax: +1 877.683.4910
<b>For countries not listed</b> HALFEN International	HALFEN International GmbH Liebigstr. 14 40764 Langenfeld / Germany	Phone: +49-2173-970-0 E-Mail: info@halfen.com Internet: www.halfen.com	Fax: +49-2173-970-849

Furthermore HALFEN is represented with sales offices and distributors worldwide. Please contact us: [www.halfen.com](http://www.halfen.com)

### NOTES REGARDING THIS CATALOGUE

**Technical and design changes reserved.** The information in this publication is based on state-of-the-art technology at the time of publication. We reserve the right to make technical and design changes at any time. HALFEN GmbH shall not accept liability for the accuracy of the information in this publication or for any printing errors.

The Quality Management System of Halfen GmbH is certified for the locations in Germany, France, the Netherlands, Austria, Poland, Switzerland and the Czech Republic according to **DIN EN ISO 9001:2015**, Certificate No. QS-281 HH.

