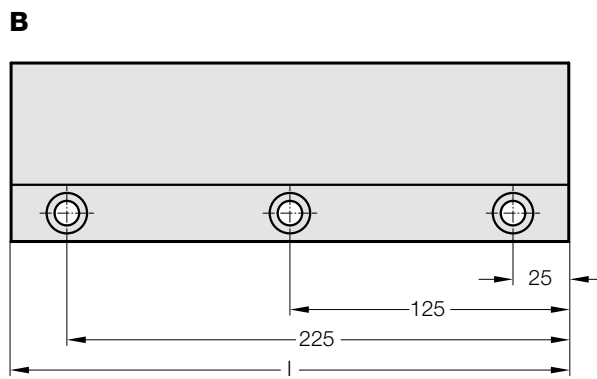
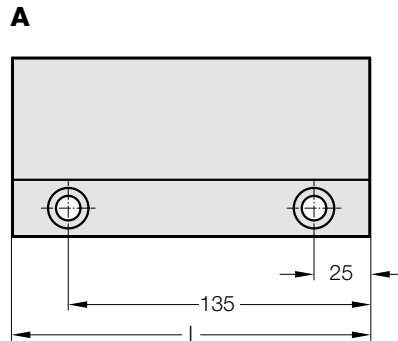
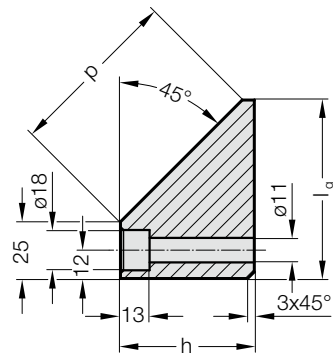


# SINGLE-SIDED PRISMATIC SLIDING BLOCK, STEEL, CNOMO

2965.82.45.



**Material:**

Steel, sliding faces surface hardened

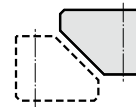
**Note:**

Matching single-sided prismatic guides 2965.80.45.

Screws and pins are not included.

**Fixing:**

Use socket cap screws DIN EN ISO 4762 M10.



**2965.82.45. Single-sided prismatic sliding block, Steel, CNOMO**

Order No	Shape	l <sub>g</sub>	h	l	p	Number of screw holes
2965.82.45.060.045.160	A	60	45	160	50	2
2965.82.45.060.045.250	B	60	45	250	50	3
2965.82.45.080.060.160	A	80	60	160	80	2
2965.82.45.080.060.250	B	80	60	250	80	3