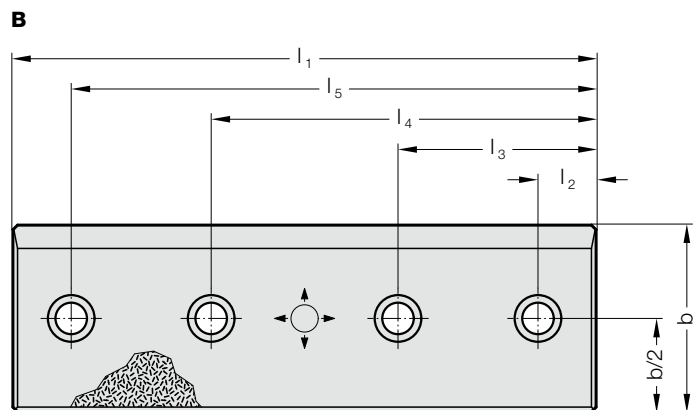
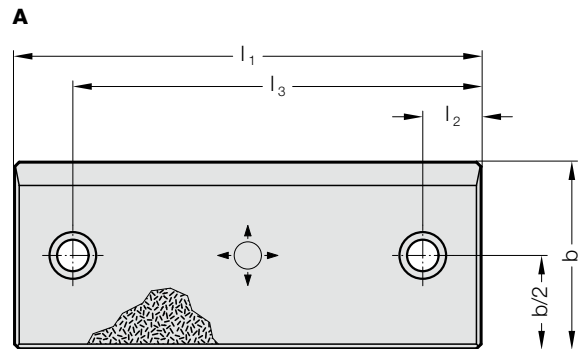


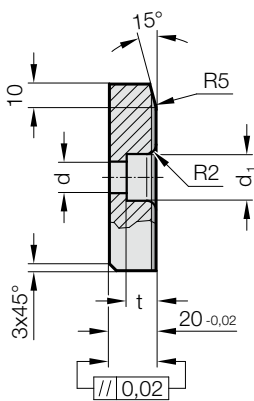
SLIDING PAD, STEEL WITH SINTERLAYER, VDI 3357



2960.33.



2960.33.



Description:

Steel with sinterlayer is a two-layer material. It ensures low maintenance, selflubricating service even in arduous multishift applications.

Material:

Steel plate with sinterlayer, part of lubricant 20-25%.

Note:

Screws are not included.

Fixing:

Use socket cap screws DIN EN ISO 4762 M12.

2960.33. Sliding pad, Steel with sinterlayer, VDI 3357

Order No	Shape	b	l ₁	l ₂	l ₃	l ₄	l ₅	d	d ₁	t	Number of screw holes
2960.33.080.200	A	80	200	25	175	-	-	13.5	20	13	2
2960.33.080.250	B	80	250	25	85	165	225	13.5	20	13	4
2960.33.080.300	B	80	300	25	105	195	275	13.5	20	13	4
2960.33.080.350	B	80	350	25	125	225	325	13.5	20	13	4
2960.33.080.400	B	80	400	25	145	255	375	13.5	20	13	4
2960.33.080.450	B	80	450	25	165	285	425	13.5	20	13	4
2960.33.080.500	B	80	500	25	175	325	475	13.5	20	13	4