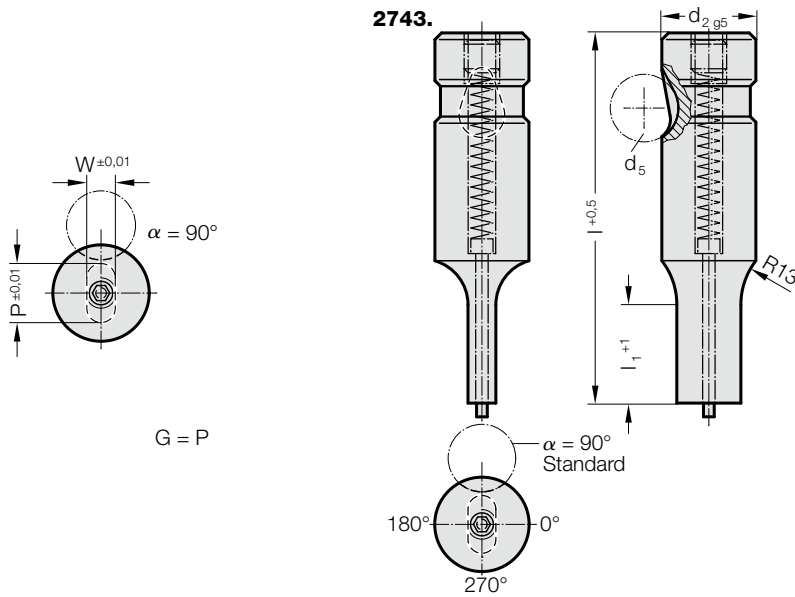


BALL-LOCK PUNCH, STEPPED, SLOT, WITH EJECTOR PIN, HEAVY DUTY



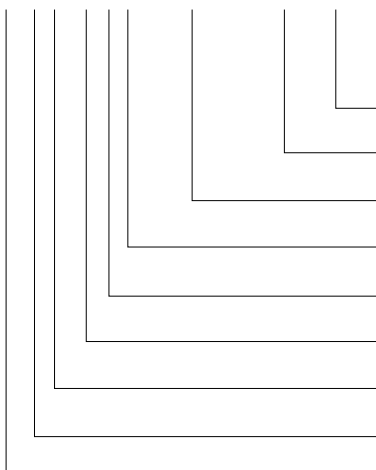
2743. Ball-Lock punch, stepped, slot, with ejector pin, heavy duty

d ₂ / Order No	d ₅	W _{min}	G _{max}	l ₁ / Order No	l (Order Code character)	63	71	80	90	100	110	125
						(C)	(D)	(E)	(F)	(G)	(H)	(J)
10 / (2)	10	4	9.9	13(1) 19(2)		●	●	●	●	●		
13 / (3)	12	6	12.9	13(1) 19(2)		●	●	●	●	●	●	●
16 / (4)	12	8	15.9	13(1) 19(2) 25(3)		●	●	●	●	●	●	●
20 / (5)	12	10	19.9	13(1) 19(2) 25(3)		●	●	●	●	●	●	●
25 / (6)	12	12	24.9	13(1) 19(2) 25(3)			●	●	●	●	●	●
32 / (7)	12	16	31.9	13(1) 19(2) 25(3)			●	●	●	●	●	●
40 / (9)	12	19	39.9	19(2) 25(3) 30(4)				●	●	●	●	●

*at d₂ = 16/ 20 and l = 63; l_{1 max.} = 19

Ordering Code (example):

2743.2F1.0650.0450.B



Angle:
90°
Shape: slot, Width W
W = 4,50 mm
Shape: slot, Length P
P = 6,50 mm
Punch cutting length: l₁
13 mm
Length: l
90 mm
Diameter: d₂
10 mm
Type:
heavy
Execution:
slot
Punch:
with ejector pin

Order Code character
= (B)
= 0450
= 0650
Order No
= (1)
Order Code character
= (F)
Order No
= (2)
Order No
= (3)
Order No
= (4)
= 27

Material:

HSS
Hardness 62 ± 2 HRC

Execution:

Shaft and punch shape fine ground.
Special dimensions on request.