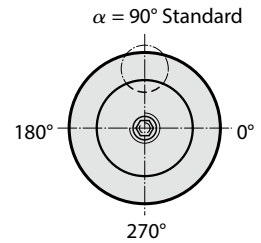
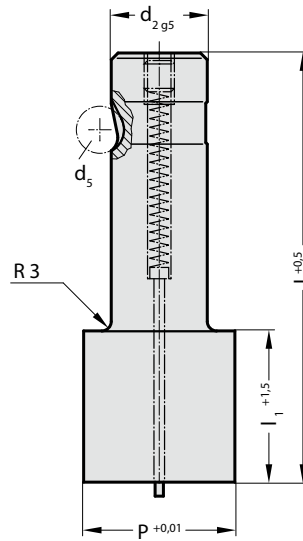


BALL-LOCK PUNCH, PUNCH LARGER THAN SHAFT, ROUND, WITH EJECTOR PIN, LIGHT DUTY



2714.



2714. Ball-Lock punch, punch larger than shaft, round, with ejector pin, light duty

d ₂ / Order No	d ₅	P	l ₁ / Order No	l (Order Code character)	80 (E)	90 (F)	100 (G)
13 / (3)	8	13,1 - 32	19(2) 30(4)		●	●	●
16 / (4)	8	16,1 - 38	19(2) 30(4)		●	●	●
20 / (5)	8	20,1 - 40	19(2) 30(4)		●	●	●
25 / (6)	8	25,1 - 44	19(2) 30(4)		●	●	●
32 / (7)	8	32,1 - 50	19(2) 30(4)		●	●	●

Material:

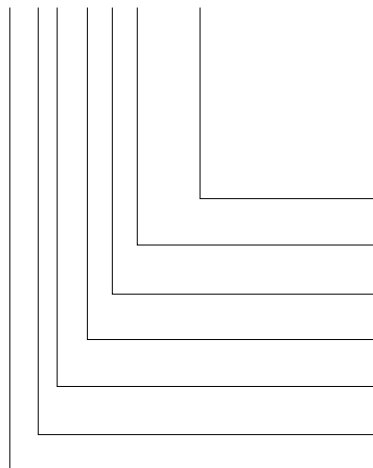
HSS
Hardness 62 ± 2 HRC

Execution:

Shaft and punch diameter fine ground.
Special dimensions on request.

Ordering Code (example):

2714.7G2.4250



Shape: round

P = Ø 42,5 mm

Punch cutting length: l₁
19 mm

Length: l
100 mm

Diameter: d₂
32 mm

Type:
punch larger, light

Execution:
round

Punch:
with ejector pin

= 4250

Order No
= (2)

Order Code character
= (G)

Order No
= (7)

Order No
= (4)

Order No
= (1)

= 27