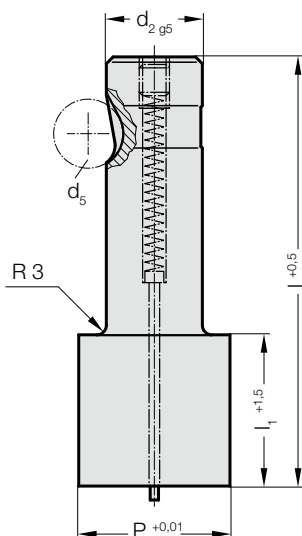
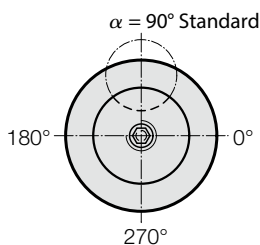


BALL-LOCK PUNCH, PUNCH LARGER THAN SHAFT, BLANK, WITH EJECTOR PIN, HEAVY DUTY

2705.

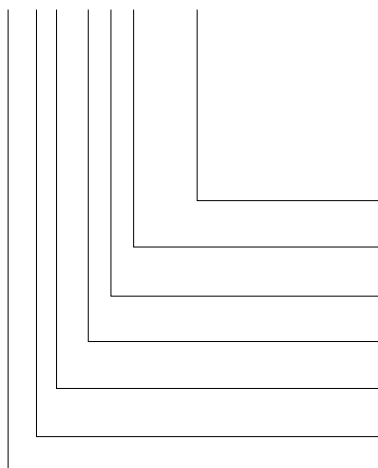


2705. Ball-Lock punch, punch larger than shaft, blank, with ejector pin, heavy duty

d ₂ / Order No	P	l ₁ / Order No	l (Order Code character)	80 (E)	90 (F)	100 (G)
13 / (3)	32	19 (2) 30 (4)		●	●	●
16 / (4)	38	19 (2) 30 (4)		●	●	●
20 / (5)	40	19 (2) 30 (4)		●	●	●
25 / (6)	44	19 (2) 30 (4)		●	●	●
32 / (7)	50	19 (2) 30 (4)		●	●	●
40 / (9)	56	19 (2) 30 (4)		●	●	●

Ordering Code (example):

2705.7G4.5000



Shape: round
 P = Ø 50 mm
Punch cutting length: l₁
 30 mm
Length: l
 100 mm
Diameter: d₂
 32 mm
Type:
 punch larger, heavy
Execution:
 blank
Punch:
 with ejector pin

= 5000
Order No
 = (4)
Order Code character
 = (G)
Order No
 = (7)
Order No
 = (5)
Order No
 = (0)

Material:

HSS
 Hardness 62 ± 2 HRC

Execution:

Shaft and punch diameter fine ground.
 Special dimensions on request.