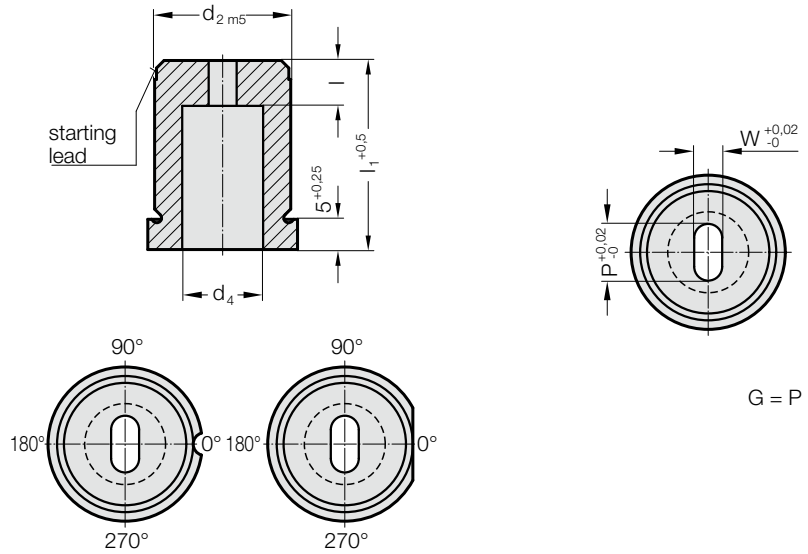


MATRIX WITH SHOULDER, SLOT, ISO 8977



2647.



2647. Matrix with shoulder, slot, ISO 8977

d ₂ / Order No	d ₃	d ₄	W _{min}	G _{max}	l / Order No	l ₁ / (Order Code character)	16 (B)	20 (C)	22 (D)	25 (E)	28 (F)	30 (G)	32 (H)	35 (J)
8 / (3)	11	4	1.2	3.5	4 (3)		●	●	●	●	●	●	●	●
10 / (4)	13	5.8	1.2	5	4 (3) 8 (6)		●	●	●	●	●	●	●	●
13 / (5)	16	8	2	7	5 (4) 8 (6)		●	●	●	●	●	●	●	●
16 / (6)	19	9.5	2.4	9	5 (4) 8 (6)		●	●	●	●	●	●	●	●
20 / (7)	23	12	3.2	11	8 (6) 12 (8)		●	●	●	●	●	●	●	●
22 / (8)	25	15	4	14	8 (6) 12 (8)		●	●	●	●	●	●	●	●
25 / (9)	28	17.3	4.8	16	8 (6) 12 (8)		●	●	●	●	●	●	●	●
32 / (10)	35	20.7	5.5	20	8 (6) 12 (8)		●	●	●	●	●	●	●	●
38 / (11)	41	27.7	6.4	27	8 (6) 12 (8)		●	●	●	●	●	●	●	●
40 / (12)	43	27.7	6.4	27	8 (6) 12 (8)		●	●	●	●	●	●	●	●
50 / (14)	53	37	6.4	36	8 (6) 12 (8)		●	●	●	●	●	●	●	●

Material:

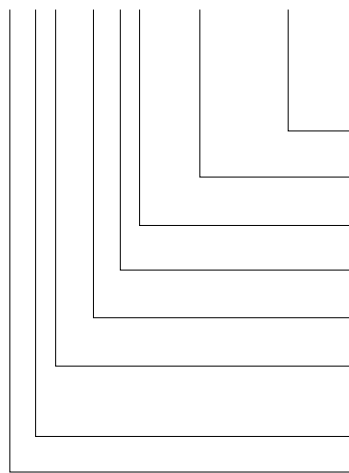
HSS
Hardness 62 ± 2 HRC

Execution:

Diameter d₂, starting lead and face surfaces ground.
Special dimensions on request.

Ordering Code (example): with anti-rotation element

2647.10F8.1350.0650.A3



Anti-rotation element:

Pin Ø 6 mm

Angle:

0°

Shape: slot, Width W

W = 6,5 mm

Shape: slot, Length P

P = 13,5 mm

Shape cutting length: l

12 mm

Length: l₁

28 mm

Diameter: d₂

32 mm

Type:

with shoulder
ISO 8977

Execution:

slot

Matrix

Order No

= (3)

Order Code character

= (A)

= 0650

= 1350

Order No

= (8)

Order Code character

= (F)

Order No

= (10)

Order No

= (7)

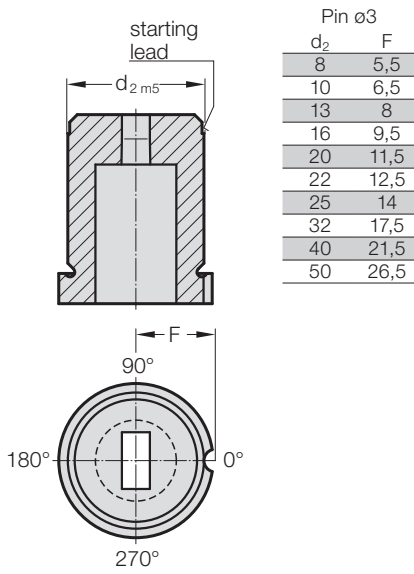
Order No

= (4)

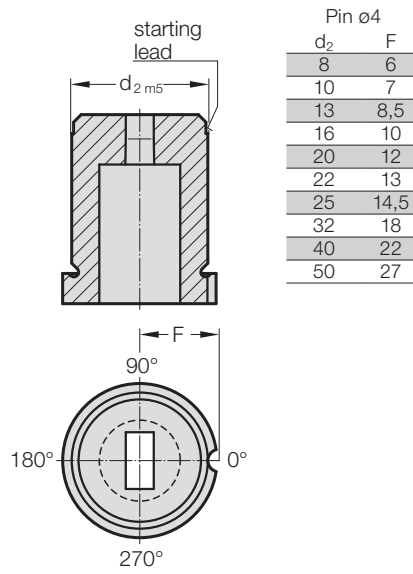
= 26

MATRIXES WITH SHOULDER, CYLINDRICAL, ISO 8977, ANTI-ROTATION ELEMENTS

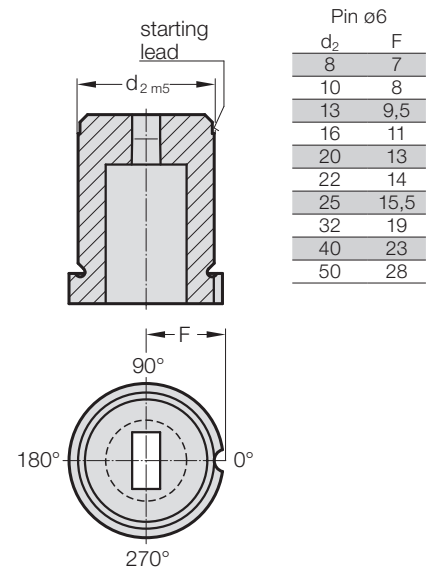
Anti-rotation element 1 (1)



Anti-rotation element 2 (2)



Anti-rotation element 3 (3)



Anti-rotation element 4 (4)

