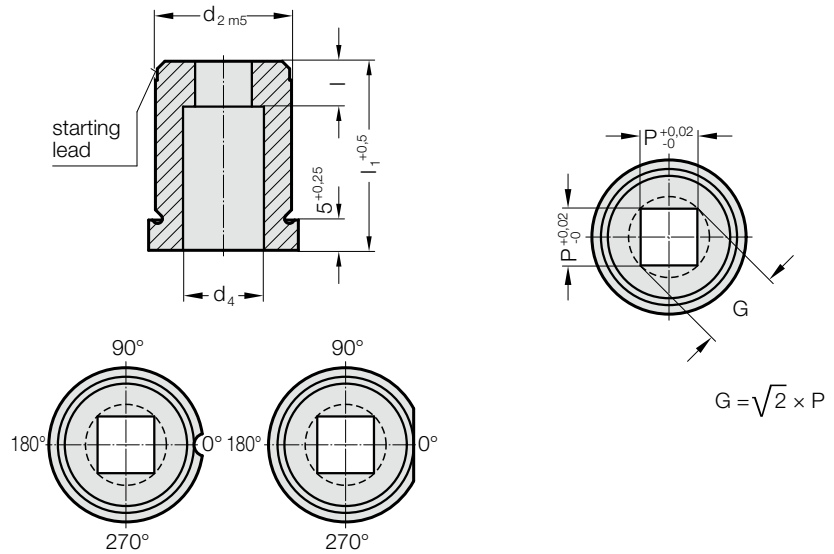


MATRIX WITH SHOULDER, SQUARE, ISO 8977



2627.



2627. Matrix with shoulder, square, ISO 8977

d ₂ / Order No	d ₃	d ₄	P _{min}	G _{max}	I / Order No	l ₁ / (Order Code character)	16 (B)	20 (C)	22 (D)	25 (E)	28 (F)	30 (G)	32 (H)	35 (J)
8 / (3)	11	4	1.2	3.5	4 (3)		●	●	●	●	●	●	●	●
10 / (4)	13	5.8	1.2	5	4 (3) 8 (6)		●	●	●	●	●	●	●	●
13 / (5)	16	8	2	7	5 (4) 8 (6)		●	●	●	●	●	●	●	●
16 / (6)	19	9.5	2.4	9	5 (4) 8 (6)		●	●	●	●	●	●	●	●
20 / (7)	23	12	3.2	11	8 (6) 12 (8)		●	●	●	●	●	●	●	●
22 / (8)	25	15	4	14	8 (6) 12 (8)		●	●	●	●	●	●	●	●
25 / (9)	28	17.3	4.8	16	8 (6) 12 (8)		●	●	●	●	●	●	●	●
32 / (10)	35	20.7	5.5	20	8 (6) 12 (8)		●	●	●	●	●	●	●	●
38 / (11)	41	27.7	6.4	27	8 (6) 12 (8)		●	●	●	●	●	●	●	●
40 / (12)	43	27.7	6.4	27	8 (6) 12 (8)		●	●	●	●	●	●	●	●
50 / (14)	53	37	6.4	36	8 (6) 12 (8)		●	●	●	●	●	●	●	●

Material:

HSS

Hardness 62 ± 2 HRC

Execution:

Diameter d₂, starting lead and face surfaces ground.

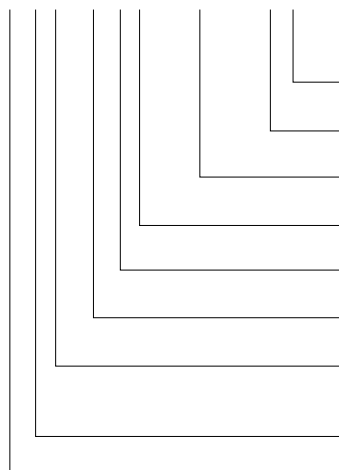
Special dimensions on request.

Note:

With kerf ≤ 0.04 mm, FIBRO rounds off sharp edges if the punch and piercing die bush are ordered together. This reduces the fitting time and the risk of an edge break during operation.

Ordering Code (example): with anti-rotation element

2627.10F8.1350.A3



Anti-rotation element:

Pin Ø 6 mm

Angle:

0°

Shape: square, Length P

P = 13,5 mm

Shape cutting length: I

12 mm

Length: l₁

28 mm

Diameter: d₂

32 mm

Type:

with shoulder

ISO 8977

Execution:

square

Matrix

Order No

= (3)

Order Code character

= (A)

= 1350

Order No

= (8)

Order Code character

= (F)

Order No

= (10)

Order No

= (7)

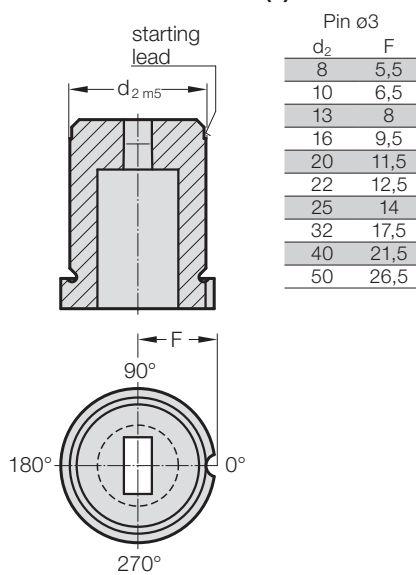
Order No

= (2)

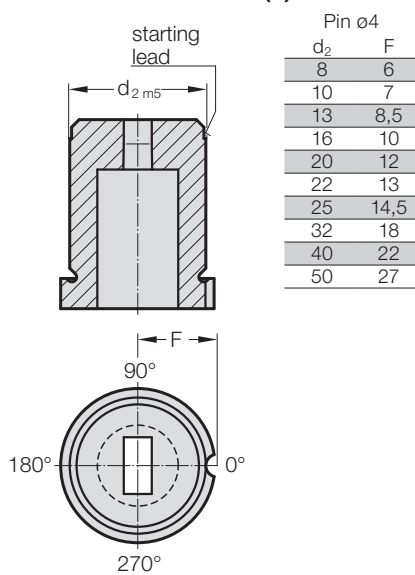
= 26

MATRIXES WITH SHOULDER, CYLINDRICAL, ISO 8977, ANTI-ROTATION ELEMENTS

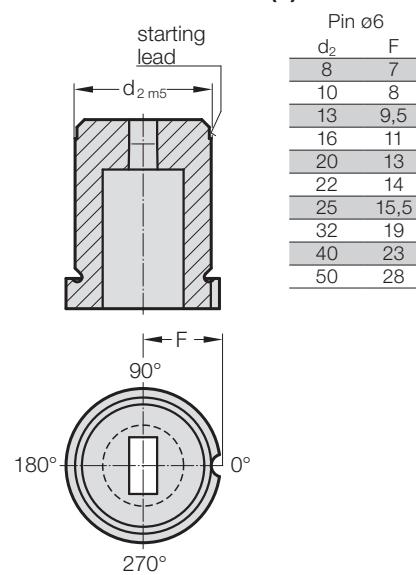
Anti-rotation element 1 (1)



Anti-rotation element 2 (2)



Anti-rotation element 3 (3)



Anti-rotation element 4 (4)

