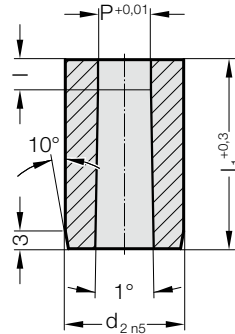


MATRIX WITHOUT SHOULDER, ROUND, AUTOMOTIVE STANDARD



2615.



2615. Matrix without shoulder, round, Automotive Standard

d ₂ / Order No	P	I / Order No	l ₁ / (Order Code character)	13 (A)	16 (B)	20 (C)	22 (D)	25 (E)	28 (F)	30 (G)	32 (H)	35 (J)	40 (K)
10 / (4)	1,6 - 6,8	3 (2) 4 (3) 5 (4)		●	●	●	●	●	●	●	●	●	
13 / (5)	3 - 8,8	3 (2) 5 (4) 8 (6)		●	●	●	●	●	●	●	●	●	
16 / (6)	7,4 - 10,8	3 (2) 5 (4) 8 (6)				●	●	●	●	●	●	●	●
20 / (7)	9,5 - 13,6	3 (2) 5 (4) 10 (7)				●	●	●	●	●	●	●	●
22 / (8)	10,5 - 15	3 (2) 6 (5) 10 (7)				●	●	●	●	●	●	●	●
25 / (9)	12 - 17	3 (2) 6 (5) 10 (7)				●	●	●	●	●	●	●	●
32 / (10)	16 - 22	3 (2) 6 (5) 12 (8)				●	●	●	●	●	●	●	●
38 / (11)	18 - 27	3 (2) 8 (6) 12 (8)				●	●	●	●	●	●	●	●
40 / (12)	18 - 27	3 (2) 8 (6) 12 (8)					●	●	●	●	●	●	●
45 / (13)	18 - 35	3 (2) 8 (6) 12 (8)					●	●	●	●	●	●	●
50 / (14)	18 - 40	3 (2) 8 (6) 12 (8)					●	●	●	●	●	●	●
56 / (15)	18 - 45	3 (2) 8 (6) 12 (8)					●	●	●	●	●	●	●
63 / (16)	18 - 50	3 (2) 8 (6) 12 (8)					●	●	●	●	●	●	●
71 / (17)	18 - 56	3 (2) 8 (6) 12 (8)					●	●	●	●	●	●	●
76 / (18)	25 - 60	3 (2) 8 (6) 12 (8)						●	●	●	●	●	●
85 / (19)	25 - 66	3 (2) 8 (6) 12 (8)						●	●	●	●	●	●
90 / (20)	32 - 70	3 (2) 8 (6) 12 (8)						●	●	●	●	●	●
100 / (21)	32 - 78	3 (2) 8 (6) 12 (8)						●	●	●	●	●	●

Material:

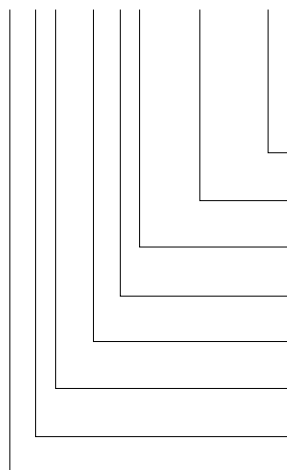
HSS
Hardness 62 ± 2 HRC

Execution:

Diameter d₂ and end faces ground.
Special dimensions on request.

Ordering Code (example): without / with anti-rotation element

2615.10F8.2190/.A3



Anti-rotation element:

Pin Ø 6 mm

Angle:

0°

Shape: round

P = Ø 21,9 mm

Shape cutting length: l

12 mm

Length: l₁

28 mm

Diameter: d₂

32 mm

Type: without shoulder

Automotive Standard

Execution:

round

Matrix

Order No

= (3)

Order Code character

= (A)

= (2190)

Order No

= (8)

Order Code character

= (F)

Order No

= (10)

Order No

= (5)

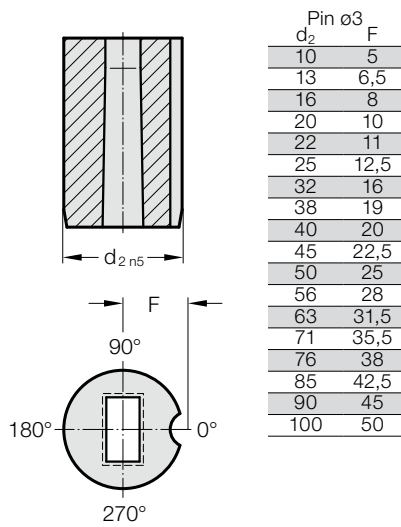
Order No

= (1)

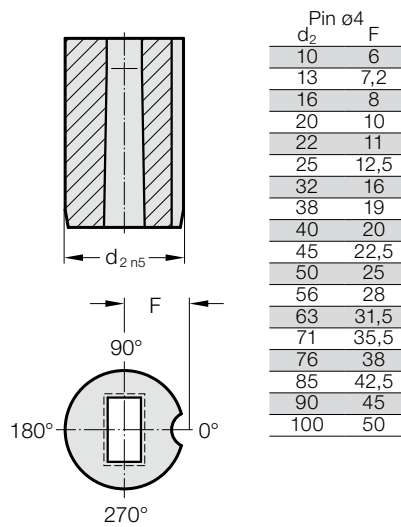
= 26

MATRIXES WITHOUT SHOULDER, AUTOMOTIVE STANDARD, ANTI-ROTATION ELEMENTS

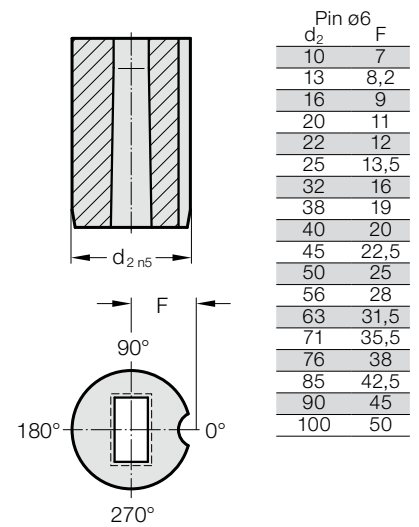
Anti-rotation element 1 (1)



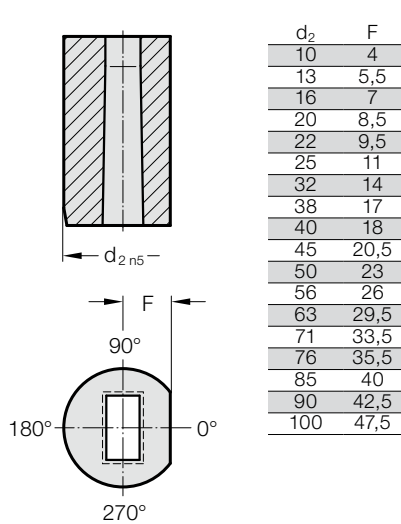
Anti-rotation element 2 (2)



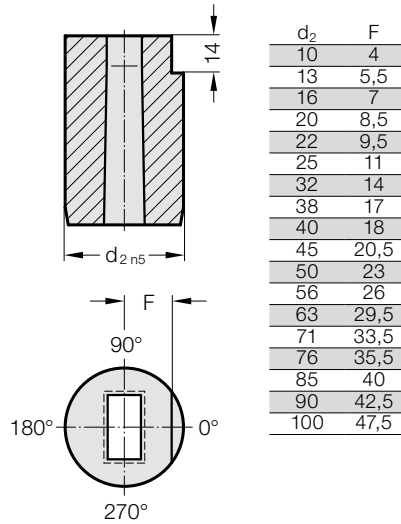
Anti-rotation element 3 (3)



Anti-rotation element 4 (4)



Anti-rotation element 5 (5)



Anti-rotation element 6 (6)

