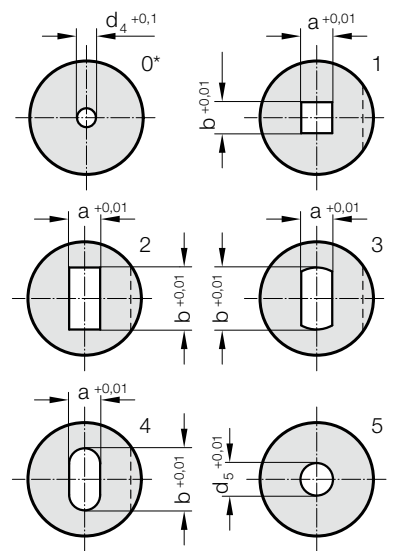
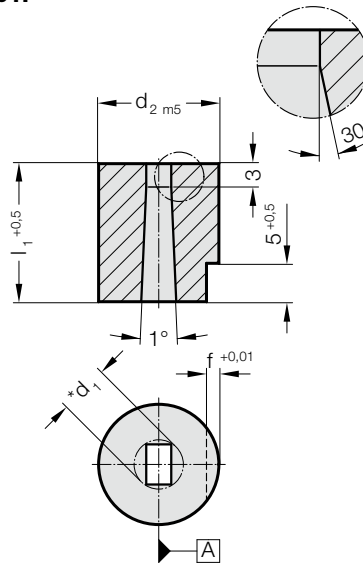


# MATRIX WITHOUT COLLAR, CONICAL



2601.



## 2601. Matrix without collar, conical

d <sub>1</sub> , d <sub>5</sub>	d <sub>2</sub>	d <sub>4</sub>	f	l <sub>1</sub>	16	19	22	25	28	32
1,8 - 3,2	8	1	1		●	●	●	●	●	●
2 - 5	10	1	1		●	●	●	●	●	●
3 - 7	13	1.5	1.5		●	●	●	●	●	●
5 - 8	16	1.5	1.5		●	●	●	●	●	●
7 - 11	20	1.5	1.5		●	●	●	●	●	●
11 - 16	25	2.5	2.5		●	●	●	●	●	●
16 - 19	32	2.5	2.5		●	●	●	●	●	●
19 - 28	40	2.5	2.5		●	●	●	●	●	●

## Material:

HSS  
Order No. 2601.3.  
Hardness 64 ± 2 HRC

## Execution:

Diameter d<sub>2</sub> and end faces ground.  
Key flats parallel with reference axis "A" unless otherwise specified.  
\*d<sub>1</sub> = size over corners  
\*0 = Execution only with starting hole for wire-EDM

## Ordering Code (example):

Matrix without collar, conical	=	2601.3.
Mount diameter d <sub>2</sub>	20 mm =	020.
Length l <sub>1</sub>	16 mm =	016.
Cutting form Shape	square =	1.
Cutting form width a	320 =	0320.
Cutting form length b	320 =	0320
Order No	=	2601.3. 020. 016. 1. 0320. 0320