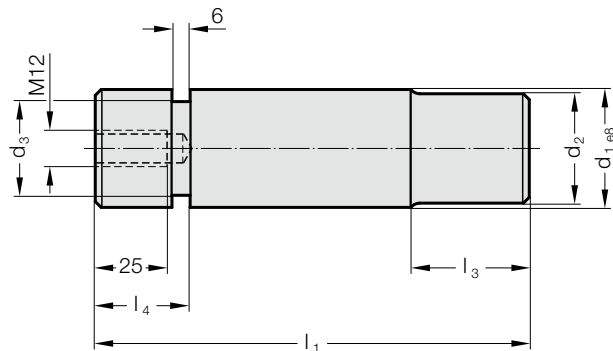


LOCKING PIN, ACCORDING TO VW

2446.12.55.



Description:

Locking pins are used to hold and secure the pad in tools

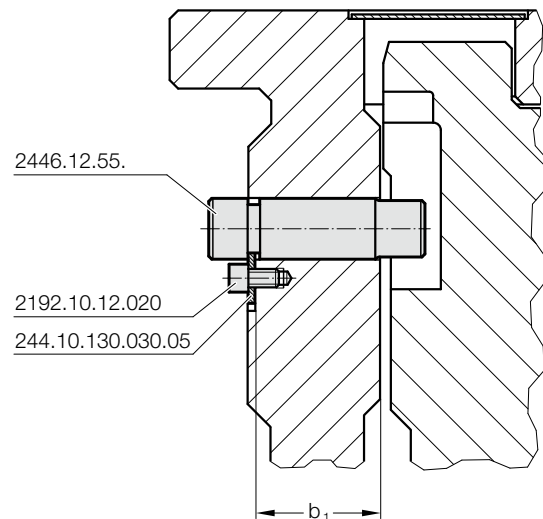
Material:

C45 (1.0503), heat-treated 800 - 1000 N/mm²

Note:

Supplied with sheave and screw

Mounting example



2446.12.55. Locking pin, according to VW

| Order No | d_1 | d_2 | d_3 | l_1 | l_3 | l_4 | r | b_1 | max. load capacity per stud dyn. loading [kg] |
|--------------------|-------|-------|-------|-------|-------|-------|-----|-------|---|
| 2446.12.55.032.105 | 32 | 29 | 24 | 105 | 25 | 22 | 4 | 63 | 500 |
| 2446.12.55.032.122 | 32 | 29 | 24 | 122 | 25 | 22 | 4 | 80 | 500 |
| 2446.12.55.040.139 | 40 | 37 | 32 | 139 | 32 | 32 | 5 | 80 | 750 |
| 2446.12.55.040.159 | 40 | 37 | 32 | 159 | 32 | 32 | 5 | 100 | 750 |
| 2446.12.55.050.167 | 50 | 47 | 42 | 167 | 40 | 32 | 6 | 100 | 1250 |
| 2446.12.55.050.192 | 50 | 47 | 42 | 192 | 40 | 32 | 6 | 125 | 1250 |
| 2446.12.55.063.202 | 63 | 60 | 55 | 202 | 50 | 32 | 6 | 125 | 2500 |
| 2446.12.55.063.237 | 63 | 60 | 55 | 237 | 50 | 32 | 6 | 160 | 2500 |