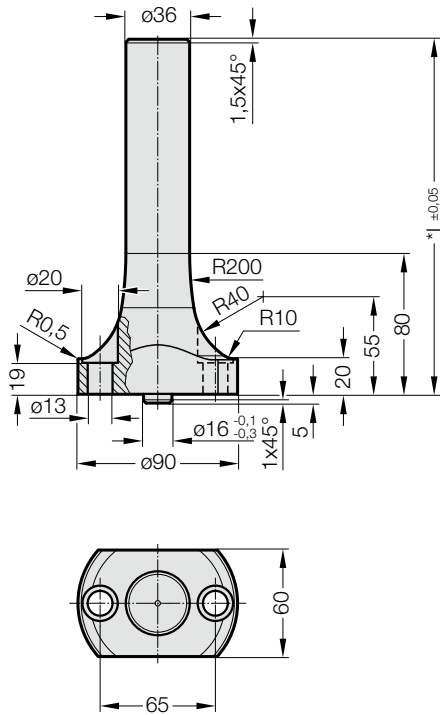


TOP AIR BOLTS, BMW

2446.10.15.



Description:

Top air bolts are used for transmitting power from the pressure pad of the power press to the tool.

Material:

C45 (1.0503), heat-treated 800 - 1000 N/mm²

Execution:

drop-forged

Note:

Delivery with two screws according to DIN EN ISO 4762 - M12x40 - 12.9

2446.10.15. Top air bolts, BMW

Order No	l^*	Gradation	max. spring loading (kN)
2446.10.15.10.□□□	150 - 250	1	50

*to customer's specifications!

Ordering Code (example):

Top air bolts, BMW	=	2446.10.15.
Execution Shape	10	= 10.
Length l	150 mm	= 150
Order No	=	2446.10.15. 10. 150