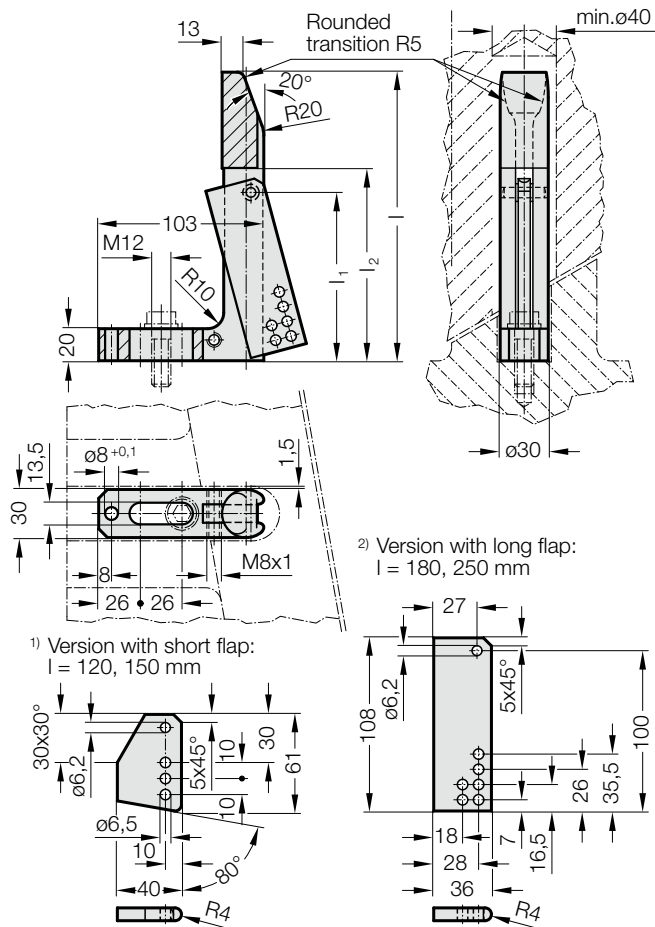
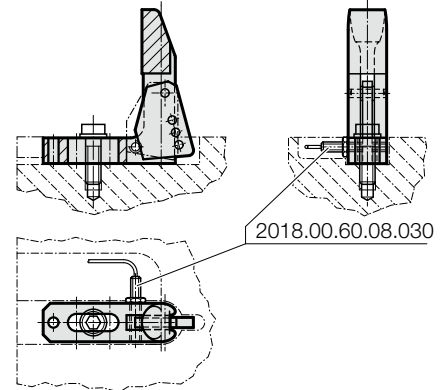


GUIDE WITH PART POSITION CONTROL, VDI

2443.13.



Mounting example



Material:

Guide: Ck 60, area of pilot taper hardened 50 + 5 HRC

Flap: St 37, hardened 58 + 2 HRC

Execution:

forged

Note:

See following pages for accessories.

2443.13. Guide with part position control, VDI

Order No	l	l ₁	l ₂
2443.13.120	120	55	70
2443.13.150	150	55	70
2443.13.180	180	105	120
2443.13.250	250	105	120