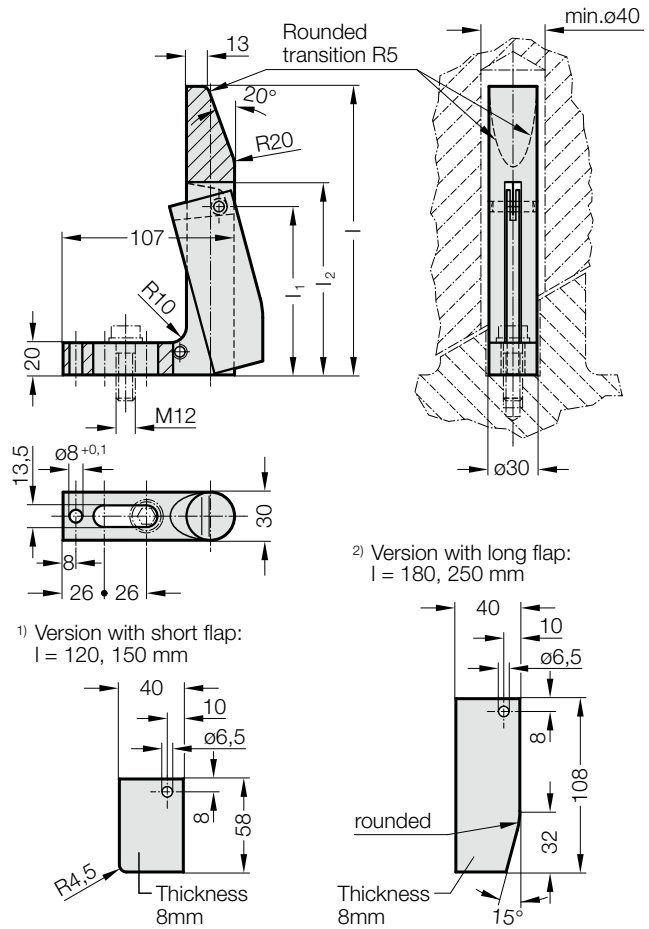


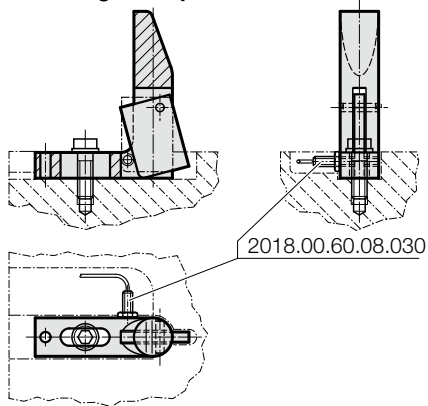
# GUIDE WITH PART POSITION CONTROL AND SPRING



2443.12.



## Mounting example



## Material:

Guide: Ck 60, area of pilot taper hardened 50 + 5 HRC

Flap: St 37

Spring: Spring steel wire

## Execution:

forged

## Note:

See following pages for accessories.

## 2443.12. Guide with part position control and spring

Order No	l	l <sub>1</sub>	l <sub>2</sub>
2443.12.120	120	55	70
2443.12.150	150	55	70
2443.12.180	180	105	120
2443.12.250	250	105	120