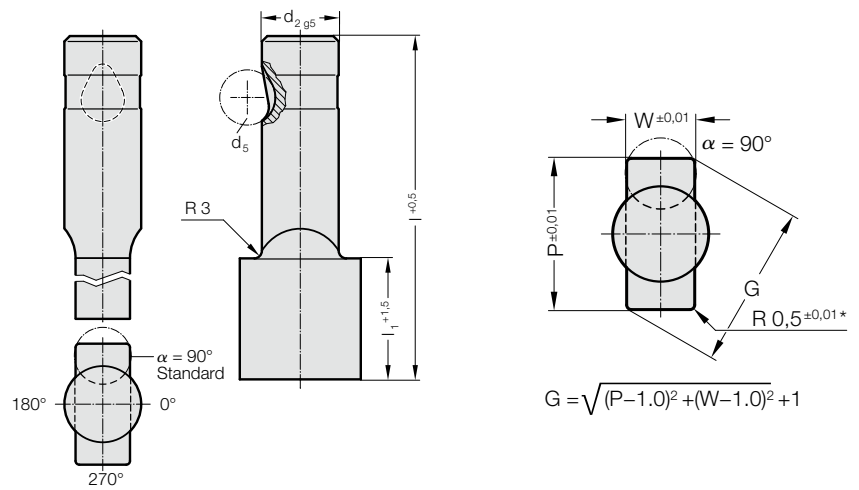


# BALL-LOCK PUNCH, PUNCH LARGER THAN SHAFT, RECTANGLE WITH RADIUSSED CORNERS, HEAVY DUTY



2255.



## 2255. Ball-Lock punch, punch larger than shaft, rectangle with radiussed corners, heavy duty

d <sub>2</sub> / Order No	d <sub>5</sub>	W <sub>min</sub>	G <sub>max</sub>	l <sub>1</sub> / Order No	l (Order Code character)	80 (E)	90 (F)	100 (G)
13 / (3)	12	5	32	19(2) 30(4)		●	●	●
16 / (4)	12	6.5	38	19(2) 30(4)		●	●	●
20 / (5)	12	8	40	19(2) 30(4)		●	●	●
25 / (6)	12	10	44	19(2) 30(4)		●	●	●
32 / (7)	12	11.5	50	19(2) 30(4)		●	●	●
40 / (9)	12	14	56	19(2) 30(4)		●	●	●

### Material:

HSS  
Hardness 62 ± 2 HRC

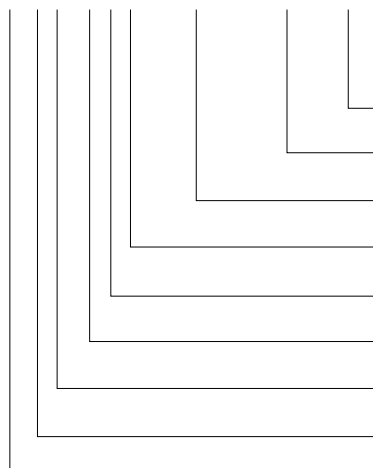
### Execution:

Shaft and punch shape fine ground.  
Special dimensions on request.

\* For other radius options, see standardised special shapes.

### Ordering Code (example):

**2255.4F2.1420.1150.B**



#### Angle:

90°

**Shape: rectangle with radiused corners, Width W**

W = 11,5 mm

**Shape: rectangle with radiused corners, Length P**

P = 14,2 mm

**Punch cutting length: l<sub>1</sub>**

19 mm

**Length: l**

90 mm

**Diameter: d<sub>2</sub>**

16 mm

**Type:**

punch larger, heavy

**Execution:**

rectangle with radiused corners

**Punch:**

without ejector pin

**Order Code character**  
= (B)

**Order Code character**  
= (F)

**Order Code character**  
= (2)

**Order Code character**  
= (F)

**Order Code character**  
= (4)

**Order Code character**  
= (5)

**Order Code character**  
= (5)

**Order Code character**  
= (5)

**Order Code character**  
= 22