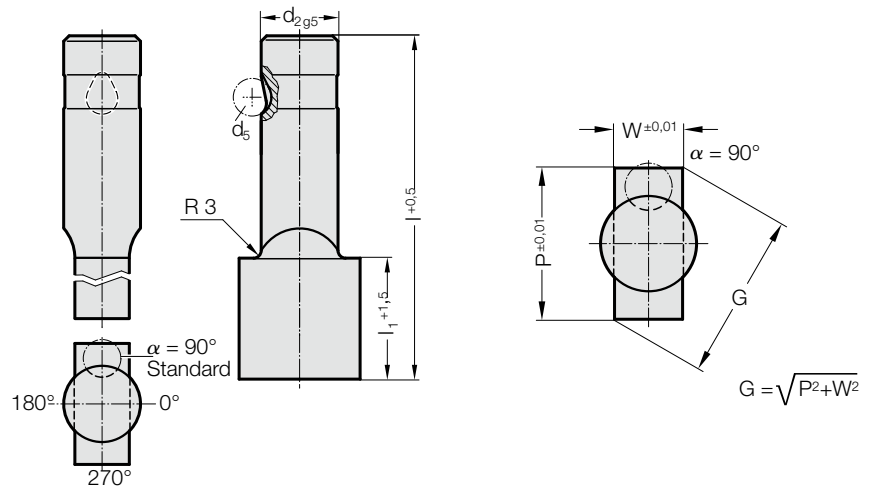


BALL-LOCK PUNCH, PUNCH LARGER THAN SHAFT, RECTANGULAR, LIGHT DUTY



2234.



2234. Ball-Lock punch, punch larger than shaft, rectangular, light duty

d ₂ / Order No	d ₅	W _{min}	G _{max}	l ₁ / Order No	l (Order Code character)	80 (E)	90 (F)	100 (G)
13 / (3)	8	5	32	19(2) 30(4)		●	●	●
16 / (4)	8	6.5	38	19(2) 30(4)		●	●	●
20 / (5)	8	8	40	19(2) 30(4)		●	●	●
25 / (6)	8	10	44	19(2) 30(4)		●	●	●
32 / (7)	8	11.5	50	19(2) 30(4)		●	●	●

Material:

HSS
Hardness 62 ± 2 HRC

Execution:

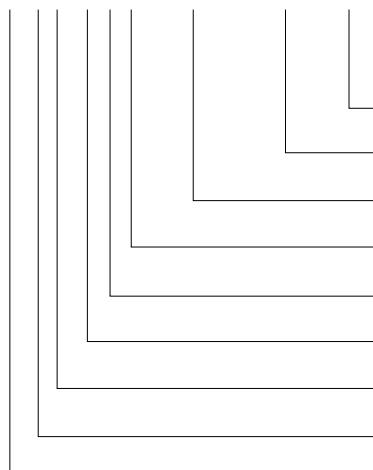
Shaft and punch shape fine ground.
Special dimensions on request.

Note:

With kerf ≤ 0.04 mm, FIBRO rounds off sharp edges if the punch and piercing die bush are ordered together. This reduces the fitting time and the risk of an edge break during operation.

Ordering Code (example):

2234.7F2.3820.1150.B



Angle:

90°

Shape: rectangular, Width W

W = 11,5 mm

Shape: rectangular, Length P

P = 38,2 mm

Punch cutting length: l₁

19 mm

Length: l

90 mm

Diameter: d₂

32 mm

Type:

punch larger, light

Execution:

rectangular

Punch:

without ejector pin

Order Code character

= (B)

= 1150

= 3820

Order No

= (2)

Order Code character

= (F)

Order No

= (7)

Order No

= (4)

Order No

= (3)

= 22