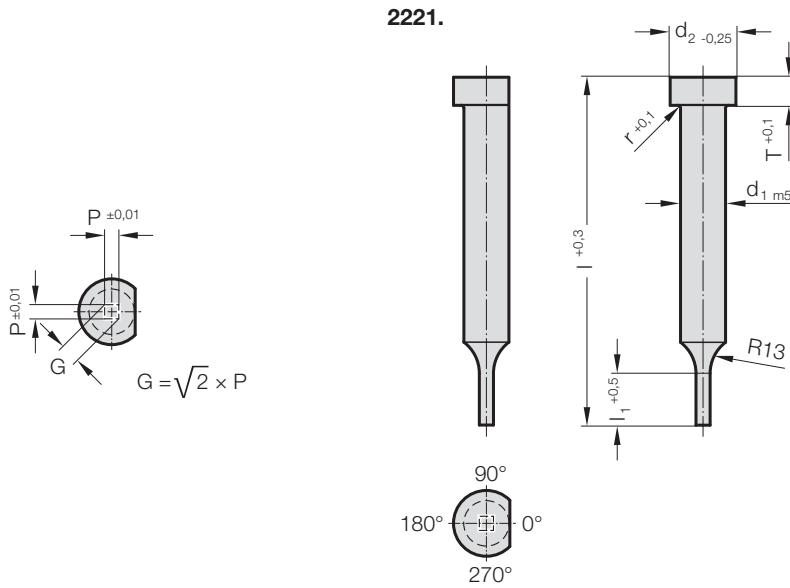


PUNCH, STEPPED, SQUARE, ISO 8020

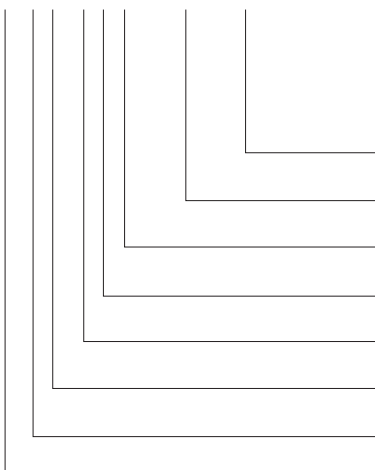


2221. Punch, stepped, square, ISO 8020

d ₁ / Order No	d ₂	P _{min}	G _{max}	l ₁ / Order No	r	T	l / (Order Code character)	71 (D)	80 (E)	90 (F)	100 (G)	120 (J)
3 / (1)	5	0.5	2.9	8 (1) 10 (2)	0.25	3		●	●	●	●	●
4 / (2)	6	0.8	3.9	8 (1) 13 (3)	0.25	3		●	●	●	●	●
5 / (3)	8	1	4.9	13 (3) 19 (4)	0.3	5		●	●	●	●	●
6 / (4)	9	1.6	5.9	13 (3) 19 (4)	0.3	5		●	●	●	●	●
8 / (5)	11	2	7.9	19 (4) 25 (5)	0.3	5		●	●	●	●	●
10 / (6)	13	3.5	9.9	19 (4) 25 (5)	0.3	5		●	●	●	●	●
13 / (7)	16	4.5	12.9	19 (4) 25 (5)	0.4	5		●	●	●	●	●
16 / (8)	19	6	15.9	19 (4) 25 (5)	0.4	5		●	●	●	●	●
20 / (9)	23	8	19.9	19 (4) 25 (5)	0.4	5		●	●	●	●	●
25 / (10)	28	10	24.9	19 (4) 25 (5)	0.4	5		●	●	●	●	●
32 / (11)	35	10	31.9	25 (5) 30 (6)	0.4	5		●	●	●	●	●

Ordering Code (example):

2221.9E5.1550.B



Angle:
90°
Shape: square, Length P
P = 15,5 mm
Punch cutting length: l₁
25 mm
Length: l
80 mm
Diameter: d₁
20 mm
Type:
ISO
Execution:
square
Punch:
without ejector pin

Order Code character
= (B)
Order No
= 1550
Order Code character
= (E)
Order No
= (9)
Order No
= (1)
Order No
= (2)
Order Code character
= (B)

Material:

HSS
Hardness:
Shaft 64 ± 2 HRC
Head 52 ± 5 HRC

ASP 23 - ASP 2023

upon request

📖 Description of FIBRO materials for tool and die components see at the beginning of Chapter E.

Execution:

Punch head hot upset-forged. Shoulder, shaft and punch shape fine ground.

The anti-rotation surface parallel to P = 0° as standard.

Special dimensions on request.

Note:

With kerf ≤ 0.04 mm, FIBRO rounds off sharp edges if the punch and piercing die bush are ordered together. This reduces the fitting time and the risk of an edge break during operation.