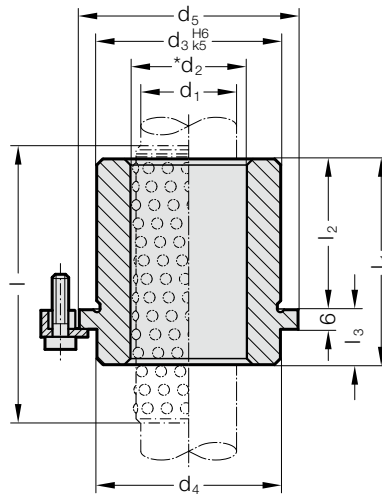


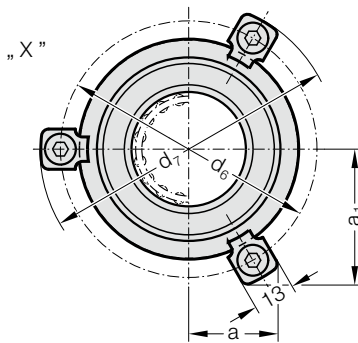
HEADED GUIDE BUSH FOR BALL BEARING, ~AFNOR



210.46.



X |



Material:

Tool steel, hardened 62 ± 2 HRC

Execution:

Bearing surfaces honed, outside diameter fine-ground.

Note:

The attachment is with 3 Screw clamp, from $\varnothing d_1 = 38$ with 4 Screw clamp, which are included in delivery (Order No: 207.45 - Screw clamp incl. socket cap screw DIN 6912, Head $\varnothing 13$).

☞ Notes on ball bearing type guides at the beginning of chapter D.

*☞ Preloading see pairing classification at the beginning of chapter D

☞ Matching guide combinations, see selection matrix at the beginning of chapter D.

☞ Ball guide capacity calculations at the end of chapter D.

☞ Assembly guide lines / Dimensional requirements and tolerances at the end of chapter D.

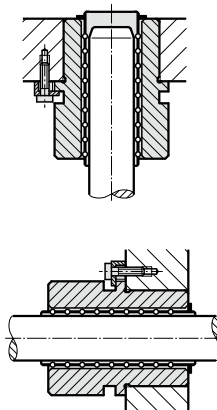
Tolerance range:

yellow = .10

green = .20

red = .30

Mounting example



HEADED GUIDE BUSH FOR BALL BEARING, ~AFNOR

210.46. Headed guide bush for ball bearing, ~AFNOR

d ₁	16	20	25	32	40	50	63
d ₂	22	26	31	40	48	58	71
d ₃	28	32	40	50	63	80	90
d ₄	29	32	40	50	63	80	90
d ₅	32	36	45	56	70	90	110
d ₆	45	49	57	67	81	101	121
d ₇	57.7	61.7	69.7	79.7	93.7	113.7	131.7
a	18.9	19.9	21.9	24.4	36	43	50.1
a ₁	26.9	28.6	32.1	36.4	36	43	50.1
l ₃	10	12	12	15	15	18	20
l ₂ *	l ₁ / l						
23	33/45						
30	40/45						
38	40/45	42/45	42/45	45/56			
48	48/56	50/56	50/56	53/71			
48	58/63	60/71	60/71	63/71	63/80		
61	73/80			76/80	76/95	79/95	
78	90/105			93/105	93/105	96/105	
98	113/120			113/120	113/120	116/140	118/120
123							143/160

*l = Nominal ordering length of ball cage - preferred length

Ordering Code (example):

Headed guide bush for ball bearing, ~AFNOR	=	210.46.
Diameter of conduit d ₁	32 mm =	032.
Installation length l ₂	38 mm =	038.
Classification TOL	yellow =	10
Order No	=	210.46. 032. 038. 10