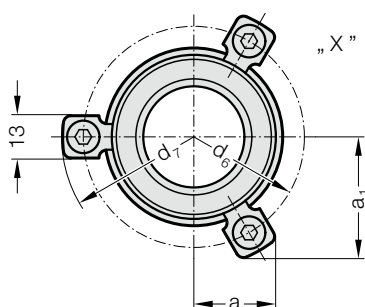
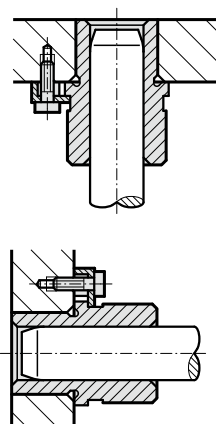
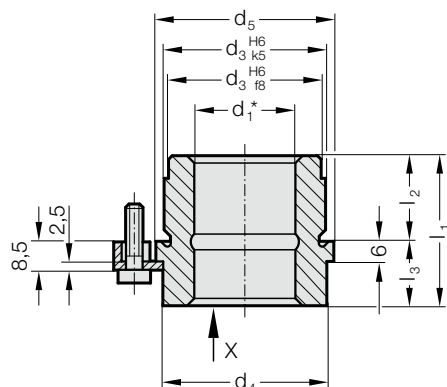


HEADED GUIDE BUSH, SINTERED FERRITE CARBONITRIDED WITH LONG-TERM LUBRICATION, ~AFNOR

210.34.

Mounting example



Material:

Sintered ferrite of high purity, carbonitrided, long-term lubrication

Execution:

Bearing surfaces and outside diameter precision ground.

Note:

The attachment is with 3 Screw clamp, from $\varnothing d_1 = 38$ with 4 Screw clamp, which are included in delivery (Order No: 207.45 - Screw clamp incl. socket cap screw DIN 6912, Head $\varnothing 13$).

☞ Notes on sliding type guides at the beginning of chapter D.

*☞ Bearing clearance see pairing classification at the beginning of chapter D.

☞ Matching guide combinations, see selection matrix at the beginning of chapter D.

☞ Assembly guide lines / Dimensional requirements and tolerances at the end of chapter D.

Tolerance range:

yellow = .10

green = .20

red = .30

210.34. Headed guide bush, sintered ferrite carbonitrided with long-term lubrication, ~AFNOR

d ₁	19 20	25	32	40	50
d ₃	32	40	50	63	80
d ₄	32	40	50	63	80
d ₅	36	45	56	70	90
d ₆	49	57	67	81	101
d ₇	61.7	69.7	79.7	93.7	113.7
a	19.9	21.9	24.4	36	43
a ₁	28.6	32.1	36.4	36	43
l ₁	42	50	63	76	96
l ₂	30	38	48	61	78
l ₃	12	12	15	15	18

Ordering Code (example):

Headed guide bush, sintered ferrite carbonitrided with long-term lubrication, ~AFNOR	= 210.34.
Diameter of conduit d ₁	32 mm = 032.
Classification TOL	yellow = 10
Order No	= 210.34. 032. 10