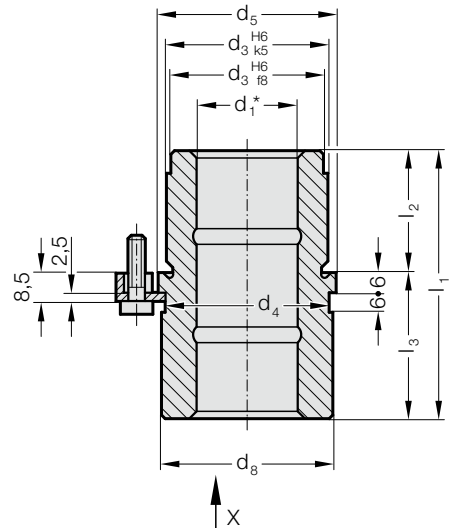
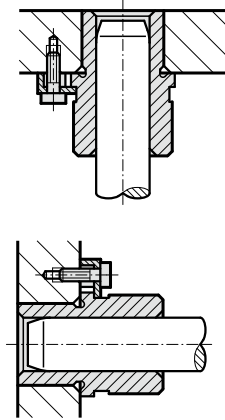


HEADED GUIDE BUSH, SINTERED FERRITE CARBONITRIDED WITH LONG-TERM LUBRICATION, ~AFNOR



Mounting example

210.31.



Material:

Sintered ferrite of high purity, carbonitrided, long-term lubrication

Execution:

Bearing surfaces and outside diameter precision ground.

Note:

The attachment is with 3 Screw clamp, from $\varnothing d_1 = 38$ with 4 Screw clamp, which are included in delivery (Order No: 207.45 - Screw clamp incl. socket cap screw DIN 6912, Head $\varnothing 13$).

☞ Notes on sliding type guides at the beginning of chapter D.

*☞ Bearing clearance see pairing classification at the beginning of chapter D.

☞ Matching guide combinations, see selection matrix at the beginning of chapter D.

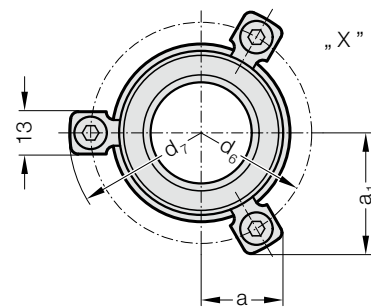
☞ Assembly guide lines / Dimensional requirements and tolerances at the end of chapter D.

Tolerance range:

yellow = .10

green = .20

red = .30



210.31. Headed guide bush, sintered ferrite carbonitrided with long-term lubrication, ~AFNOR

d ₁	19 20	25	32	40	50
d ₃	32	40	50	63	80
d ₄	32	40	50	63	80
d ₅	36	45	56	70	90
d ₆	49	57	67	81	101
d ₇	61.7	69.7	79.7	93.7	113.7
d ₈	35	43.5	53	67	87
a	19.9	21.9	24.4	36	43
a ₁	28.6	32.1	36.4	36	43
l ₁	66	70	83	98	120
l ₂	30	30	38	48	61
l ₃	36	40	45	50	59

Ordering Code (example):

Headed guide bush, sintered ferrite carbonitrided with long-term lubrication, ~AFNOR

= 210.31.

Diameter of conduit d₁ 32 mm = 032.

Classification TOL yellow = 10

Order No = 210.31.032.10