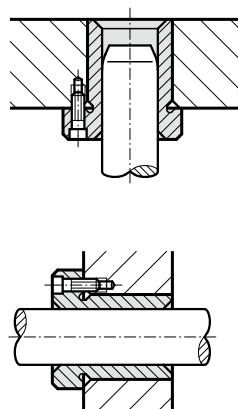
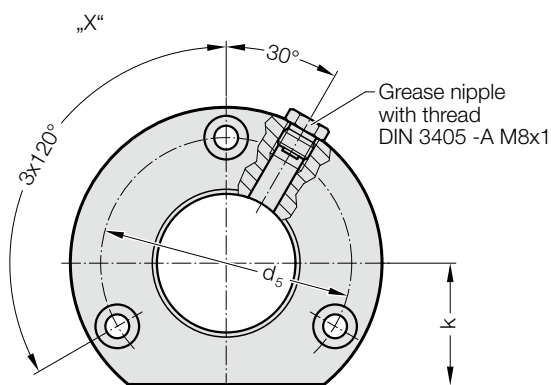
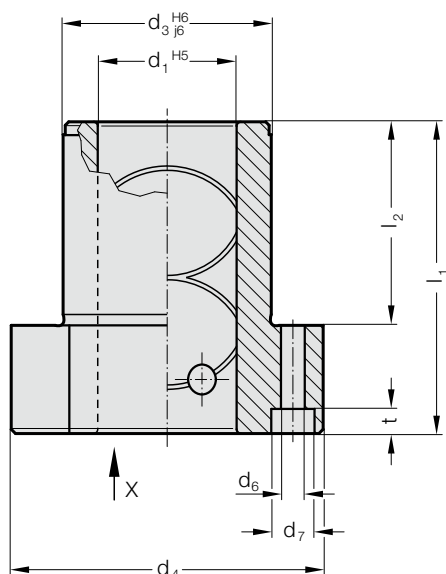


FLANGED GUIDE BUSH ECO-LINE, BRONZEPLATED, ISO 9448-4

2091.91.

Mounting example



Material:

Steel, d_3 induction hardened

Execution:

Bronze coated internal bore.
Outside diameter fine-ground.

Note:

The guide bush is fixed by means of 3 screws to DIN EN ISO 4762. The screws are not contained in the scope of delivery.

☞ Notes on sliding type guides at the beginning of chapter D.

☞ Matching guide combinations, see selection matrix at the beginning of chapter D.

☞ Assembly guide lines / Dimensional requirements and tolerances at the end of chapter D.

2091.91. Flanged guide bush ECO-LINE, bronzeplated, ISO 9448-4

d_1	19 20	24 25	30 32	38 40	48 50	60 63	80
d_3	32	40	48	58	70	85	105
d_4	50	63	72	85	104	120	146
d_5	40	50	58	70	86	100	125
d_6	4.5	5.5	5.5	6.6	9	9	11
d_7	8	10	10	11	15	15	18
k	18	23	28	33	38	46	56
l_1	52	62	72	77	102	102	125
l_2	37	37	47	47	60	60	75
t	4.6	5.7	5.7	6.8	9	9	11

Ordering Code (example):

Flanged guide bush ECO-LINE, bronzeplated,
ISO 9448-4

= 2091.91.

Diameter of conduit d_1 38 mm = 038

Order No = 2091.91. 038