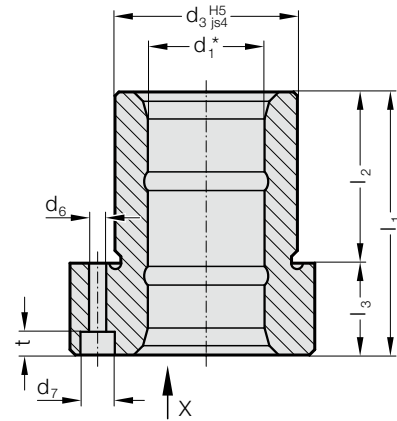
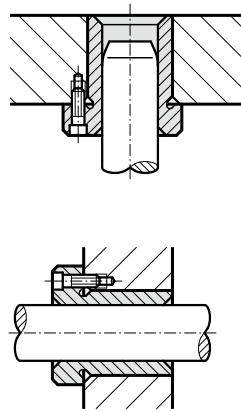


FLANGED GUIDE BUSH, SINTERED FERRITE CARBONITRIDED WITH LONG-TERM LUBRICATION, ISO 9448-4



Mounting example

2091.31.



Material:

Sintered ferrite of high purity, carbonitrided, long-term lubrication

Execution:

Bearing surfaces and outside diameter precision ground.

Note:

The guide bush is fixed by means of 3 screws to DIN EN ISO 4762.

The screws are not contained in the scope of delivery.

☞ Notes on sliding type guides at the beginning of chapter D.

*☞ Bearing clearance see pairing classification at the beginning of chapter D.

☞ Matching guide combinations, see selection matrix at the beginning of chapter D.

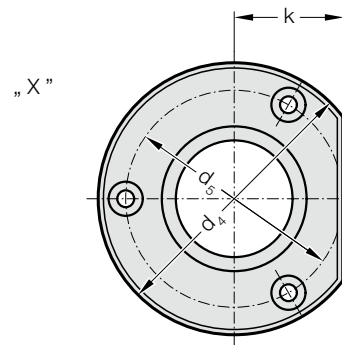
☞ Assembly guide lines / Dimensional requirements and tolerances at the end of chapter D.

Tolerance range:

yellow = .10

green = .20

red = .30



2091.31. Flanged guide bush, sintered ferrite carbonitrided with long-term lubrication, ISO 9448-4

d ₁	19 20	24 25	30 32	38 40	48 50	60 63	80
d ₃	32	40	48	58	70	85	105
d ₄	50	63	72	85	104	120	148
d ₅	40	50	58	70	86	100	125
d ₆	4.5	5.5	5.5	6.6	9	9	11
d ₇	8	10	10	11	15	15	18
k	18	23	28	33	38	46	56
l ₁	52	62	72	77	102	102	125
l ₂	37	37	47	47	60	60	75
l ₃	15	25	25	30	42	42	50
t	4.6	5.7	5.7	6.8	9	9	11

Ordering Code (example):

Flanged guide bush, sintered ferrite carbonitrided with long-term lubrication, ISO 9448-4

= 2091.31.

Diameter of conduit d₁

38 mm = 038.

Classification TOL

yellow = 10

Order No

= 2091.31. 038. 10