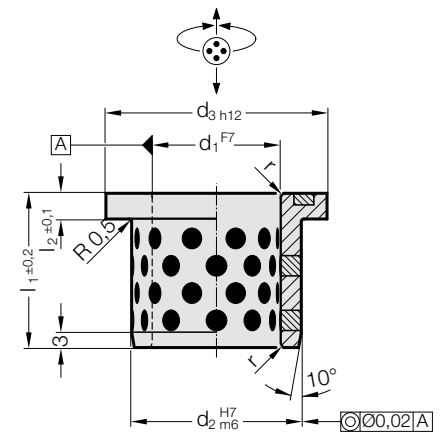


# GUIDE BUSH WITH COLLAR, BRONZE WITH SOLID LUBRICANT



2086.70.



## Material:

Bronze with solid lubricant, oilless lubricating

## Note:

Bushes can be used with radial or axial motion.

☞ Matching guide combinations, see selection matrix at the beginning of chapter D.

☞ Assembly guide lines / Dimensional requirements and tolerances at the end of chapter D.

## Attention:

Note that press fitment reduces inside bush diameter.

## 2086.70. Guide bush with collar, Bronze with solid lubricant

|       |    |    |    |    |    |    |    |    |
|-------|----|----|----|----|----|----|----|----|
| $d_1$ | 12 | 16 | 20 | 25 | 30 | 40 | 50 | 60 |
| $d_2$ | 18 | 22 | 28 | 33 | 38 | 50 | 62 | 75 |
| $d_3$ | 25 | 30 | 36 | 43 | 48 | 60 | 75 | 90 |
| $r$   | 1  | 1  | 1  | 1  | 1  | 2  | 2  | 3  |
| $l_1$ | 15 | 20 | 25 | 30 | 35 | 45 | 55 | 65 |
| $l_2$ | 4  | 5  | 5  | 5  | 5  | 5  | 6  | 7  |

## Ordering Code (example):

Guide bush with collar, Bronze with solid lubricant = 2086.70.  
 Diameter of conduit  $d_1$  30 mm = 030.  
 total length  $l_1$  35 mm = 035  
 Order No = 2086.70. 030. 035