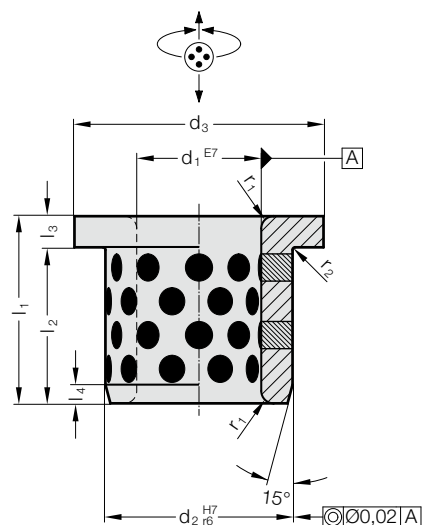


GUIDE BUSH WITH COLLAR, BRONZE WITH SOLID LUBRICANT

2085.71.



Material:

Bronze with solid lubricant, oilless lubricating

Note:

Bushes can be used with radial or axial motion.

☞ Matching guide combinations, see selection matrix at the beginning of chapter D.

☞ Assembly guide lines / Dimensional requirements and tolerances at the end of chapter D.

Attention:

Note that press fitment reduces inside bush diameter.

2085.71. Guide bush with collar, Bronze with solid lubricant

d ₁	10	12	13	14	15	16	20	25	30	31.5	35	40	45	50	55	60	63	70	75	80	90	100	120
d ₂	14	18	19	20	21	22	30	35	40	40	45	50	55	60	65	75	75	85	90	100	110	120	140
d ₃	22	25	26	27	28	29	40	45	50	50	60	65	70	75	80	90	85	105	110	120	130	150	170
l ₃	2	3	3	3	3	3	5	5	5	5	5	5	5	5	5	7.5	7.5	7.5	7.5	10	10	10	10
l ₄	2	2	2	2	2	2	3	3	3	3	3	3	3	3	3	4	4	4	4	4	4	4	4
r ₁	1	1	1	1	1	1	2	2	2	2	2	2	2	2	2	3	3	3	3	3	3	3	3
r ₂	0.4	0.4	0.4	0.4	0.5	0.5	0.5	0.5	0.5	0.6	0.6	0.6	0.6	0.6	0.7	0.7	0.7	0.7	0.7	0.8	0.8	0.8	0.8
l ₁	15	13	12	12	12	12	10	10															
20	18	17	17	17	17	17	15	15	15	15	15	15											
25					22	22	20	20	20														
30					27	27	25	25	25		25	25	25	25									
35									30	30													
40							35	35	35		35	35	35	35	35	32.5							
50									45		45	45	45	45		42.5		42.5					
60												55	55	55					52.5	50	50		
67.5																	60						
80																		72.5	72.5	70	70	70	70
100																					90	90	90

Ordering Code (example):

Guide bush with collar, Bronze with solid lubricant	=	2085.71.
Diameter of conduit d ₁	35 mm =	035.
Length l ₁	20 mm =	020
Order No	=	2085.71. 035. 020