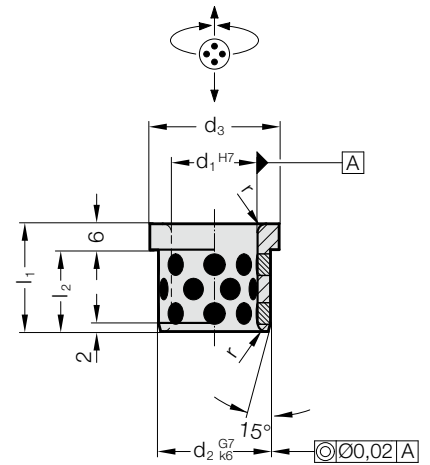


GUIDE BUSH WITH COLLAR, BRONZE WITH SOLID LUBRICANT



2085.70.



Material:

Bronze with solid lubricant, oilless lubricating

Note:

Bushes can be used with radial or axial motion.

Bushes can also be fitted with Loctite.

☞ Matching guide combinations, see selection matrix at the beginning of chapter D.

☞ Assembly guide lines / Dimensional requirements and tolerances at the end of chapter D.

2085.70. Guide bush with collar, Bronze with solid lubricant

d ₁	12	16	20	24
d ₂	16	20	26	30
d ₃	18	24	28	35
r	2	2	2	2
l ₁ l ₂				
20 14	●	●	●	●
25 19	●	●	●	●
30 24	●	●	●	●

Ordering Code (example):

Guide bush with collar, Bronze with solid lubricant	=	2085.70.
Diameter of conduit d ₁	20 mm =	020.
Length l ₁	20 mm =	020
Order No	=	2085.70. 020. 020