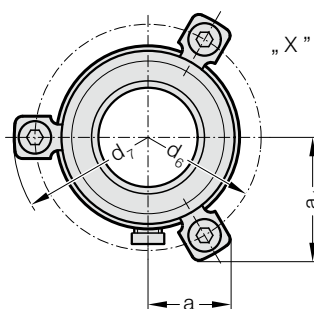
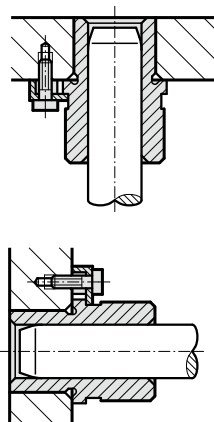
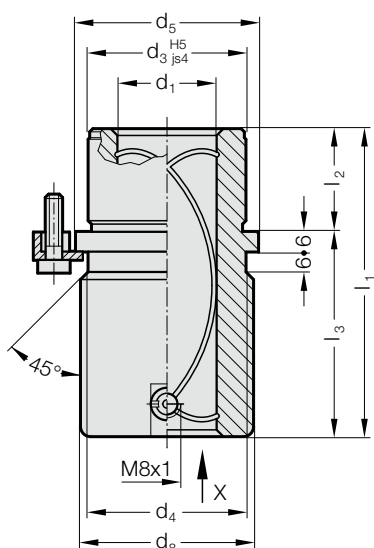


# HEADED GUIDE BUSH, BRONZE COATED, ISO 9448-6

2081.81.



Mounting example



**Material:**

1.0503  
 $\varnothing d_3$  and  $d_8$  induction hardened to 500+100 HV 10.

**Execution:**

Bronze coated internal bore.  
 Outside diameter fine-ground.

**Note:**

The attachment is with 3 Screw clamp, from  $\varnothing d_1 = 38$  with 4 Screw clamp, which are included in delivery (Order No: 207.45 - Screw clamp incl. socket cap screw DIN 6912, Head  $\varnothing 13$ ).  
 Lubrication via funnel lubricating nipple with thread DIN 3405-A M8x1.  
 ☞ Notes on sliding type guides at the beginning of chapter D.  
 ☞ Matching guide combinations, see selection matrix at the beginning of chapter D.  
 ☞ Assembly guide lines / Dimensional requirements and tolerances at the end of chapter D.

**2081.81. Headed guide bush, bronze coated, ISO 9448-6**

$d_1$	19 20	24 25	30 32	38 40	48 50	60 63	80
Tolerance	+0.003/+0.012	+0.003/+0.012	+0.004/+0.015	+0.004/+0.015	+0.004/+0.015	+0.005/+0.018	+0.005/+0.018
$d_3$	32	40	48	58	70	85	105
$d_4$	32	40	48	58	70	85	105
$d_5$	40	48	56	66	80	95	118
$d_6$	52	60	67	77	91	106	129
$d_7$	64.7	72.7	79.7	89.7	103.7	118.7	141
$d_8$	39	46	53	63	77	92	115
a	20.9	22.7	24.4	35.3	40.2	45.5	54.5
$a_1$	30.3	33.4	36.4	35.3	40.2	45.5	54.5
$l_1$	59	79	93	108	127	150	150
$l_2$	23	23	30	37	47	60	60
$l_3$	36	56	63	71	80	90	90

**Ordering Code (example):**

Headed guide bush, bronze coated, ISO 9448-6	=	2081.81.
Diameter of conduit $d_1$	38 mm =	038
Order No	=	2081.81. 038